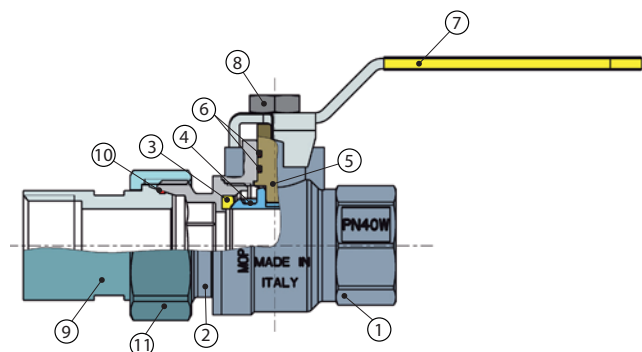
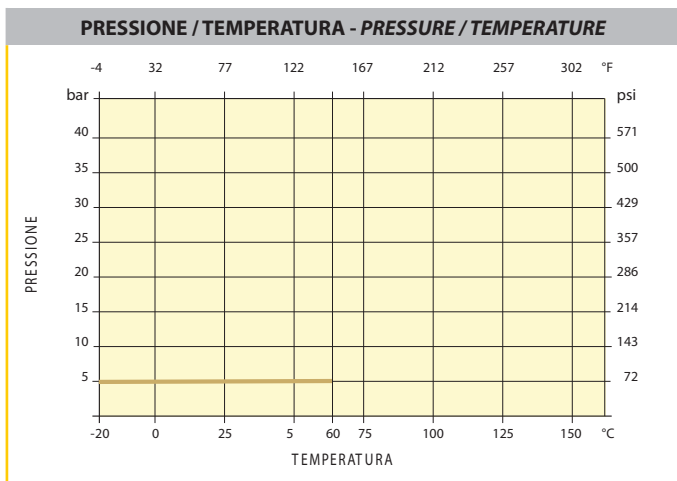


IVR ELITE HTB C

- Valvola a sfera per gas a passaggio totale, con codolo - HTB. Attacchi filettati Femmina-Femmina.
Impieghi: omologate per impianti di distribuzione gas a media e bassa pressione, e idrocarburi.
- Full bore ball valve for gas with tang – HTB. Female - female threaded ends.
Application: approved for medium and low pressure gas distribution plants and for hydrocarbons.
- Gas-Kugelventil mit vollem Durchgang HTB mit Schlauchanschluss. Anschlussgewinde I/I.
Anwendungen: mit Zulassung für Gasversorgung unter mittlerem und niedrigem Druck und für Kohlenwasserstoffe.
- Vanne a sphere pour gaz à passage integrale avec queue - HTB. Taraudage Femelle- femelle.
Application : approuvé pour les systèmes de distribution de gaz en moyenne et basse pression, et les hydrocarbures.
- Полнопроходной шаровой кран для газа с хвостовиком – HTB. Резьба: внутр-внутр
Назначение: одобрено к применению в системах со средним и низким давлением в газораспределительных установках и для углеводородов



N	DENOMINAZIONE PART NAME	MATERIALE MATERIAL	TRATTAMENTO TREATMENT
1	Corpo - Body	Ottone - Brass CW 617N - UNI EN 12165	Nichelato - Nickel plated
2	Manicotto Body end	Ottone - Brass CW 617N - UNI EN 12165	Nichelato - Nickel plated
3	Seggio - Seat	PTFE	
4	Sfera - Ball	Ottone - Brass CW 617N - UNI EN 12165	Cromata - Chrome plated
5	Asta - Stem	Ottone - Brass CW 614N - UNI EN 12164	
6	O-Ring	HNBR	
7	Maniglia - Handle	Acciaio - Steel	Rivest. PVC - Plastic coated
8	Dado - Nut	Acciaio - Steel	Zincato - Zinc plated
9	Raccordo - Union	Ottone - Brass CW 614N - UNI EN 12164	Nichelato - Nickel plated
10	O-Ring	HNBR	
11	Calotta - Nut	Ottone - Brass CW 614N - UNI EN 12164	Nichelato - Nickel plated



DN
1/2 - 1" 5 bar

Max +60° C
Min -20° C

EN 10226-1
(ex UNI ISO 7/1 rp)

Asta antiscoppio
Anti blow-out stem

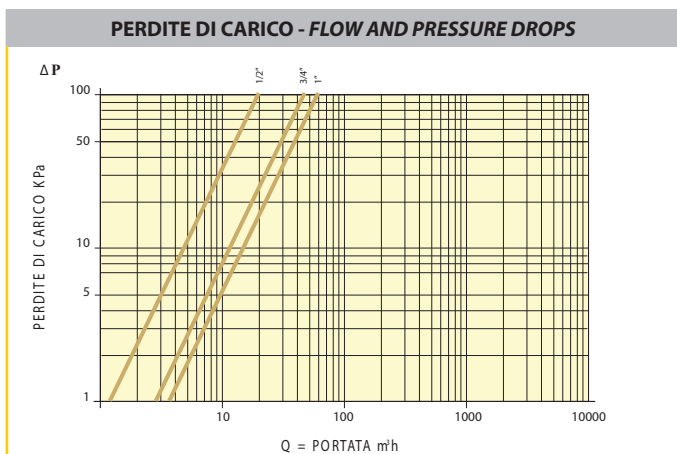


ARGB EN 1775



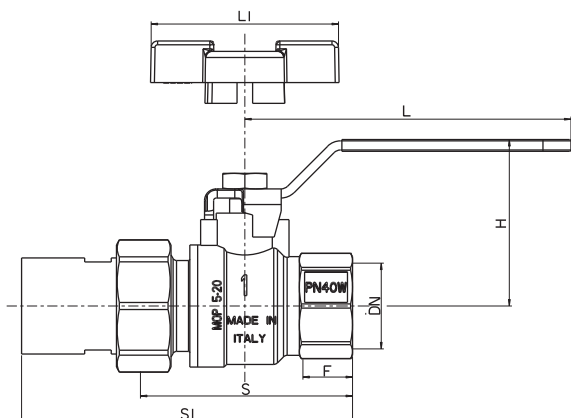
EN 331

CE 1450



DN	KV
1/2" - 15	20
3/4" - 20	45
1" - 25	60

DIMENSIONI - DIMENSIONS (mm)



DN	Ø	F	S	S1	H	L	L1
1/2"	15	15	63	94	54	90	61
3/4"	20	16	72	113	58	90	61
1"	25	19	82	127	66	125	72

IVR 192



Codice Code	DN
119205007	1/2"
119207007	3/4"
119210007	1"

- Maniglia piatta
- Flat handle
- Flachgriff
- Poignee plate
- Плоская ручка



IVR 192/A



Codice Code	DN
119205008	1/2"
119207008	3/4"
119210008	1"

- Maniglia farfalla
- Butterfly handle
- Flügelgriff
- Poignee papillon
- Вертушка

