

CONTACTS

General information

barberi@barberi.it 

  +39 0163 48284 

Sales office Italy

barberi@barberi.it 

  +39 0163 48284 

Export sales office

barberi@barberi.it 

      +39 0163 48284 

Administration office

amministrativo@barberi.it 

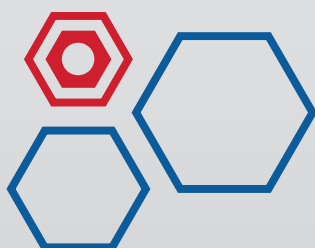
  +39 0163 48284 

Assistance-Consulting

Systems-Products-Documentation-Standards

assistenza@barberi.it 

  +39 0163 48284 



barberi.it

barberi@barberi.it 

+39 0163 48284 

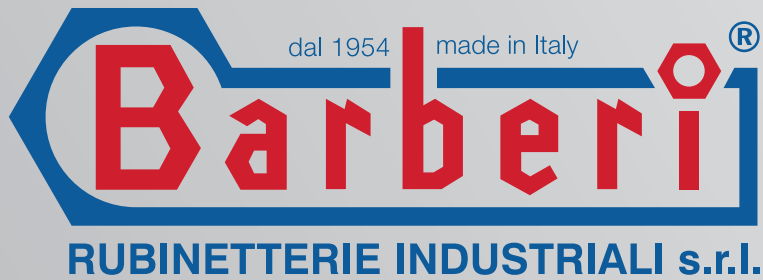
Via Monte Fenera 7, 13018 Valduggia (VC) - Italy 

SINCE 1954



CATALOGUE 23 | 24





WE ARE A FAMILY STORY

WITH ROOTS IN THE METAL DISTRICT SINCE 1954

Generation after generation, the company has been able to grow in size and innovative spirit, evolving as a single team: the values of collaboration, respect and growth that have always inspired the family mission have been integrated perfectly into a business context rich in opportunities.

The “Proud to B” project springs from our human capital and team synergy: people make the difference in Barberi.

The Barberi Method is synonymous with total quality: following the key points of Total Quality Management has transformed us into a Smart Factory with a state-of-the-art IT management network that provides quality control over the entire production cycle.

Obtaining UNI EN ISO 9001:2015 and UNI EN ISO 14001:2015 certification confirms our structured and winning business management, which is present at every point in the process and is increasingly attentive to improving end product performance.

In 2022 Barberi Rubinetterie obtained Ecovadis recognition for the company’s commitment and attention to ethical and environmental themes.

Member of CISQ Federation



CERTIFIED MANAGEMENT SYSTEM
ISO 9001 - ISO 14001



proud
to



www.barberi.it



DESIGN SERVICE

MANAGEMENT OF YOUR PROJECTS

A team of experts at your complete disposal who will follow the development of your projects step by step.

RESEARCH & DEVELOPMENT

INDUSTRIALIZATION

VALIDATION

PRODUCTION

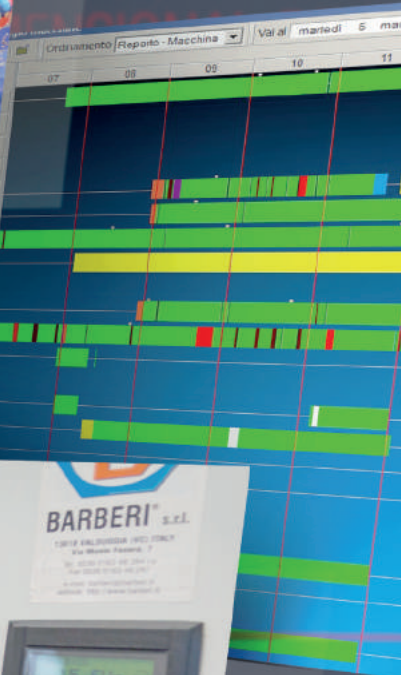
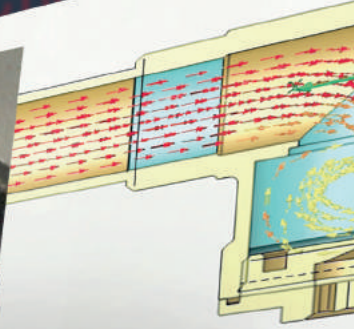
CONTACT US TO ACCESS OEM SERVICE

Every year, we develop hundreds of customized products and variants of our catalog items.

ST
MANAGEMENT

3D DESIGN

FUNCTIONAL TEST



TUNING

DESIGN & MANUFACTURE

QUALITY PROGRAM

PERFORMANCE TESTS
DYNAMICS SIMULATIONS

BARBERI® PACKAGING

A NEW LABEL LAYOUT

An ever more accurate attention to detail, Barberi packaging evolves by presenting a garment completely renewed of the product labels: more information, more quality, more color.



Header with article code and packaging quantity

29B 040N3P1
Q.ty 1



Product description in Italian, English and Russian

IT Gruppo di regolazione termostatica da incasso
EN Recessed thermostatic regulating group
RU Встраиваемая группа термостатического регулирования

Color photo of the article



Main technical data

Size G 1 M
Kv 3,5
Pump Wilo Para 25-130/7-50/SC-12

QR code for downloading the documentation from the website



EAN13 product identification code



Certifications



Product and quantity identification code



Radiator valves and
Design radiator valves.
**Special products for
special houses.**

OTTINETTI JOINS THE BARBERI GROUP

The synergy between two
historical businesses at the base
of current and future projects.
With over 70 years of experience,
Ottinetti is one of the most consolidated
companies in the valve sector.
Today it joins in the Barberi group, bringing
with it all the know-how related to the range
of valves for design radiators and radiators.
An unprecedented synergy that will enable
us to pay even closer, more accurate
attention to detail.



BARBERI WORLD

MORE THAN REAL

THERMOSTATIC
MIXING VALVES



B1

p.13

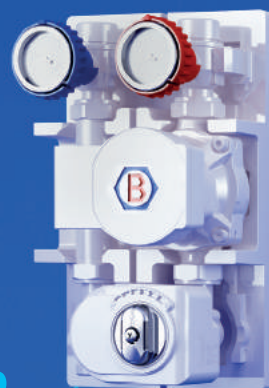
ROTARY MIXING VALVES
AND ACTUATORS



B2

p.27

REGULATING GROUPS AND
HEATING COMPONENTS



B3

p.41

AIR VENTS
AND DEAERATORS



B6

p.129

CHECK VALVES
AND FOOT VALVES



B7

p.133

FILTERS AND
DIRT SEPARATORS



B8

p.145



COMPONENTS FOR
SOLAR THERMAL SYSTEMS

B4

p.101



ZONE AND
DIVERTING VALVES

B5

p.117



ONLINE TECHNICAL
DOCUMENTATION

www.barberi.it



BALL SHUT-OFF VALVES
AND COCKS

B9

p.153



MONOBLOCS

B10

p.157



FITTINGS

B11



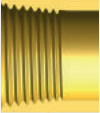

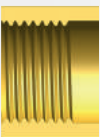

p.163

BARBERI® PRODUCTS














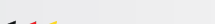



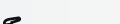

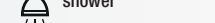

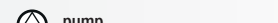
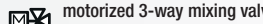



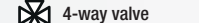
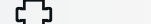
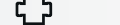








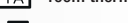



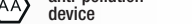




BARBERI WORLD		TYPE OF CIRCUIT		TYPE OF INSTALLATION		
		DHW	HEATING	SOLAR	BIOMASS	HEAT PUMPS
B1	Thermostatic Mixing valves					
B2	Rotary mixing valves and actuators					
B3	Regulating groups and heating components					
B4	Components for solar thermal systems					
B5	Zone and diverting valves					
B6	Air vents and deaerators					
B7	Check valves and foot valves					
B8	Filters and dirt separators					
B9	Ball shut-off valves and cocks					
B10	Monoblocs					
B11	Fittings					

Barberi® reserves the right to modify the present information without notice; Barberi® is not liable for injuries or damages which could occur to things, people or materials due to unsuitable and different applications, other than the suggested, of its articles.

DESIGNATION OF THREADS

Thread type and Standard	Shape of Male (M) and Female (F) threads	Designation by standard	Designation on Barberi catalogue
“Pipe threads where pressure tight joints are made on the threads” Gas threads according to EN 10226-1 (for R and Rp threads) EN 10226-2 (for R and Rc threads) (old standard ISO 7-1)	Taper external (male) threads 	R 1 1/4	R 1 1/4
	Parallel internal (female) threads 	Rp 1 1/4	Rp 1 1/4
	Taper internal (female) threads 	Rc 1 1/4	Rc 1 1/4
“Pipe threads where pressure tight joints are not made on the threads” Gas threads according to ISO 228/1	Parallel external (male) threads 	G 1 1/4 (A or B) (A or B) = tolerance class	G 1 1/4 M
	Parallel internal (female) threads 	G 1 1/4	G 1 1/4 F
	Nut with parallel internal (female) threads 	G 1 1/4	G 1 1/4 RN RN = running nut

LEGEND

 The Best Seller product or suggested by Barberi  New: new product or new size  Approvazione Water Regulations Advisory Scheme (UK)  Attestation de Conformité Sanitaire (F)	 wall-mounted boiler  wall-mounted boiler with built-in DHW storage  solid fuel generator  solid fuel generator with built-in DHW storage  chiller  inertial or DHW storage  natural circulation solar  distribution manifold  distribution manifold with built-in hydraulic separator  coil heat exchanger  radiator	 radiant panels  swimming pool  DHW tap  shower  high-efficiency pump  pump  motorized 3-way mixing valve  motorized 2-way zone valve  thermostatic 3-way valve  3-way valve  4-way valve  hydraulic separator  check valve  Y-filter  expansion vessel	 safety relief valve  temperature pressure safety relief valve  solar air vent  pressure reducing valve  controller  room thermostat  radiator valve  lockshield  BA backflow preventer  anti-pollution device  timer  temperature gauge  pressure gauge  discharge tundish  ball shut-off valve  temperature probe
---	--	---	--

NB: system diagrams on this catalogue are simply drafts, they are not executive. Missing devices (valves, accessories, safety tools etc.) must be added according to applicable standards.

THERMOSTATIC MIXING VALVES

B1



Code	TYPE AND FUNCTION				APPLICATION				MIXING VALVE SETTING (°C)						DIVERTING VALVE SETTING (°C)	
	Side mix	Central mix	4-way	Diverging	DHW	Heat.	Solar DHW	Biomass	20-43	25-50	20-55	30-60	30-65	35-60	45-55-60-70	45
V07.AA	○				○	○			○							
V07.AA.L2	○				○	○			○							
V07.AB	○				○	○								○		
V07.AB.L2	○				○	○								○		
V07.BA	○				○	○			○							
V07.BA.L2	○				○	○			○							
V07.BB	○				○	○								○		
V07.BB.L2	○				○	○								○		
V07.CB	○				○	○								○		
V07.DC	○					○				○						
P10		○			○	○							○			
P10.L2		○			○	○							○			
P11		○			○	○							○			
P11.L2		○			○	○							○			
V17		○			○	○							○			
V17.L2		○			○	○							○			
630.T			○			○						○				
630.10.T			○			○				○						
630.1.2.N			○			○						○				
630.101.N			○			○				○						

Code	TYPE AND FUNCTION				APPLICATION				MIXING VALVE SETTING (°C)						DIVERTING VALVE SETTING (°C)	
	Side mix	Central mix	4-way	Diverging	DHW	Heat.	Solar DHW	Biomass	20-43	25-50	20-55	30-60	30-65	35-60	45-55-60-70	45
V16				⊗	⊗	⊗										⊗
V16.L2				⊗	⊗	⊗										⊗
P04		⊗					⊗						⊗			
P04.L2		⊗					⊗						⊗			
P05		⊗					⊗						⊗			
P05.L2		⊗					⊗						⊗			
V20	⊗			⊗			⊗							⊗		⊗
V20.L1	⊗			⊗			⊗							⊗		⊗
V20.L2	⊗			⊗			⊗							⊗		⊗
V13	⊗							⊗							⊗	
V13.L1	⊗							⊗							⊗	
V14	⊗							⊗							⊗	
V14.L1	⊗							⊗							⊗	
V14.1	⊗							⊗							⊗	

V07.AA



Thermostatic mixing valve for hydro-thermal-sanitary systems - antiscald - Kv 1,6 - range 20-43 °C

Flow coefficient: **Kv 1,6**
 Temperature adjustment range: **20-43 °C**
 Max working temperature: **95 °C**
 Max working pressure: **10 bar**



Code	Size			€
V07 020 0AA	Rp 3/4	1	20	-
V07 M20 0AA	G 3/4 M	1	20	-
V07 M25 0AA	G 1 M	1	20	-

V07.AB



Thermostatic mixing valve for hydro-thermal-sanitary systems - antiscald - Kv 1,6 - range 35-60 °C

Flow coefficient: **Kv 1,6**
 Temperature adjustment range: **35-60 °C**
 Max working temperature: **95 °C**
 Max working pressure: **10 bar**



Code	Size			€
V07 020 0AB	Rp 3/4	1	20	-
V07 M20 0AB	G 3/4 M	1	20	-
V07 M25 0AB	G 1 M	1	20	-

V07.AA.L2



Thermostatic mixing valve for hydro-thermal-sanitary systems - antiscald - Kv 1,6 - range 20-43 °C. Fittings with check valve insert unassembled (V38.03)

Flow coefficient: **Kv 1,6**
 Temperature adjustment range: **20-43 °C**
 Max working temperature: **95 °C**
 Max working pressure: **10 bar**



Code	Size			€
V07 M20 0AA L2	G 3/4 M	1	20	-
V07 M25 0AA L2	G 1 M	1	10	-

V07.AB.L2



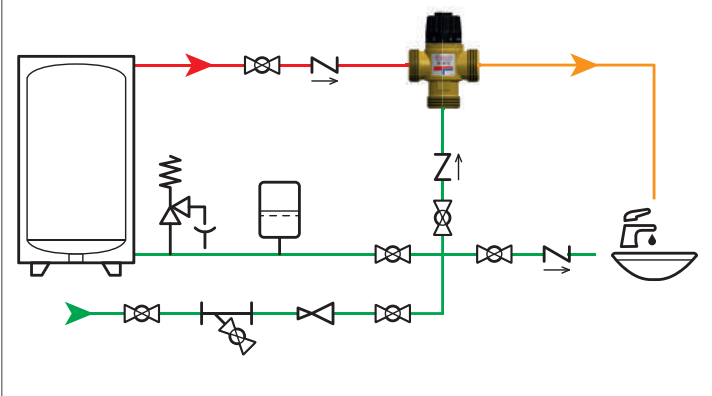
Thermostatic mixing valve for hydro-thermal-sanitary systems - antiscald - Kv 1,6 - range 35-60 °C. Fittings with check valve insert unassembled (V38.03)

Flow coefficient: **Kv 1,6**
 Temperature adjustment range: **35-60 °C**
 Max working temperature: **95 °C**
 Max working pressure: **10 bar**

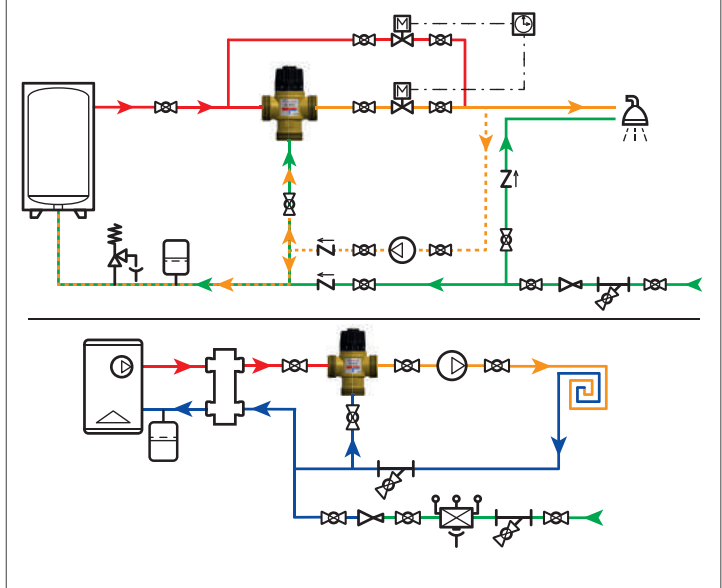


Code	Size			€
V07 M20 0AB L2 TBS	G 3/4 M	1	20	-
V07 M25 0AB L2	G 1 M	1	10	-

DHW production with direct supply to the user



DHW production with recirculation circuit/Fixed point regulation in radiant panel system



THERMOSTATIC MIXING VALVES "L" COMFORT

V07.BA

Thermostatic mixing valve for hydro-thermal-sanitary systems - antiscald - Kv 2,5 - range 20-43 °C

Flow coefficient: **Kv 2,5**
 Temperature adjustment range: **20-43 °C**
 Max working temperature: **95 °C**
 Max working pressure: **10 bar**



Code	Size			€
V07 M25 OBA	G 1 M	1	20	-

V07.BB

Thermostatic mixing valve for hydro-thermal-sanitary systems - antiscald - Kv 2,5 - range 35-60 °C

Flow coefficient: **Kv 2,5**
 Temperature adjustment range: **35-60 °C**
 Max working temperature: **95 °C**
 Max working pressure: **10 bar**



Code	Size			€
V07 M25 OBB	G 1 M	1	20	-

V07.BA.L2

Thermostatic mixing valve for hydro-thermal-sanitary systems - antiscald - Kv 2,5 - range 20-43 °C. Fittings with check valves insert unassembled (V38.03)

Flow coefficient: **Kv 2,5**
 Temperature adjustment range: **20-43 °C**
 Max working temperature: **95 °C**
 Max working pressure: **10 bar**



Code	Size			€
V07 M25 OBA L2	G 1 M	1	10	-

V07.BB.L2

Thermostatic mixing valve for hydro-thermal-sanitary systems - antiscald - Kv 2,5 - range 35-60 °C. Fittings with check valves insert unassembled (V38.03)

Flow coefficient: **Kv 2,5**
 Temperature adjustment range: **35-60 °C**
 Max working temperature: **95 °C**
 Max working pressure: **10 bar**



Code	Size			€
V07 M25 OBB L2	G 1 M	1	10	-

V07.CB

Thermostatic mixing valve for hydro-thermal-sanitary systems - antiscald - Kv 1,2 - range 35-60 °C

Flow coefficient: **Kv 1,2**
 Temperature adjustment range: **35-60 °C**
 Max working temperature: **95 °C**
 Max working pressure: **10 bar**



Code	Size			€
V07 M15 OCB NEW	G 1/2 M	1	20	-

V07.DC

Thermostatic mixing valve for heating systems - Kv 3,5 - range 20-55 °C

Flow coefficient: **Kv 3,5**
 Temperature adjustment range: **20-55 °C**
 Max working temperature: **95 °C**
 Max working pressure: **10 bar**



Code	Size			€
V07 M25 ODC NEW	G 1 M	1	20	-

P10



Thermostatic mixing valve for hydro-thermal-sanitary systems - antiscald - Kv 1,8 - range 30-65 °C

Flow coefficient: **Kv 1,8**
 Temperature adjustment range: **30-65 °C**
 Max working temperature: **90 °C**
 Max working pressure: **10 bar**



Code	Size			€
P10 A20 000	G 3/4 M	1	20	-
P10 A25 000	G 1 M	1	20	-

P10.L2



Thermostatic mixing valve for hydro-thermal-sanitary systems - antiscald - Kv 1,8 - range 30-65 °C. Fittings with check valves insert unassembled (V38.04)

Flow coefficient: **Kv 1,8**
 Temperature adjustment range: **30-65 °C**
 Max working temperature: **90 °C**
 Max working pressure: **10 bar**



Code	Size			€
P10 A20 000 L2	G 3/4 M	1	20	-
P10 A25 000 L2	G 1 M	1	20	-

P11



Thermostatic mixing valve for hydro-thermal-sanitary systems - antiscald - Kv 2,3 - range 30-65 °C

Flow coefficient: **Kv 2,3**
 Temperature adjustment range: **30-65 °C**
 Max working temperature: **90 °C**
 Max working pressure: **10 bar**



Code	Size			€
P11 A20 000	G 3/4 M	1	20	-
P11 A25 000	G 1 M	1	20	-

P11.L2



Thermostatic mixing valve for hydro-thermal-sanitary systems - antiscald - Kv 2,3 - range 30-65 °C - fittings with check valve insert unassembled V38.04

Flow coefficient: **Kv 2,3**
 Temperature adjustment range: **30-65 °C**
 Max working temperature: **90 °C**
 Max working pressure: **10 bar**



Code	Size			€
P11 A20 000 L2	G 3/4 M	1	20	-
P11 A25 000 L2	G 1 M	1	20	-

V17



Thermostatic mixing valve for hydro-thermal-sanitary systems - Kv 3,5 - range 30-65 °C

Flow coefficient: **Kv 3,5**
 Temperature adjustment range: **30-65 °C**
 Max working temperature: **90 °C**
 Max working pressure: **10 bar**



Code	Size			€
V17 M32 0AA	G 1 1/4 M	1	10	-

V17.L2



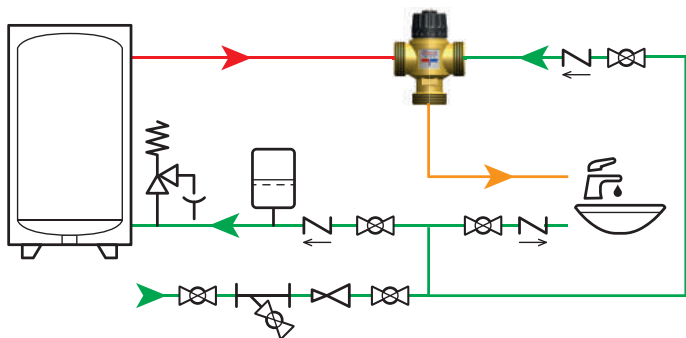
Thermostatic mixing valve for hydro-thermal-sanitary systems - Kv 3,5 - range 30-65 °C - with fittings P93

Flow coefficient: **Kv 3,5**
 Temperature adjustment range: **30-65 °C**
 Max working temperature: **90 °C**
 Max working pressure: **10 bar**

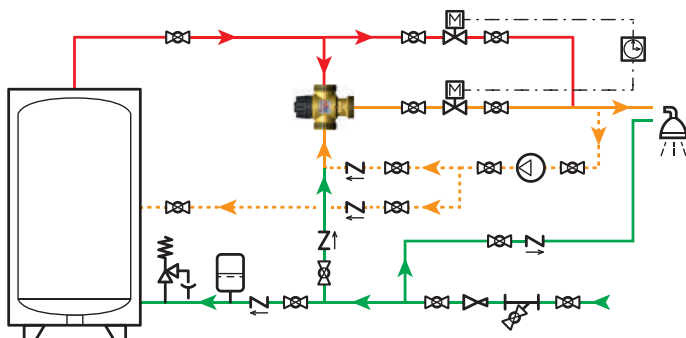


Code	Size			€
V17 M32 0AA L2	G 1 M	1	10	-

DHW production with direct supply to the user



DHW production with recirculation circuit



P93

Fitting with running nut and flat gasket

Max working temperature: **100 °C**

Max working pressure: **25 bar**



Code	Size			€
P93 015 000	G 1/2 M - G 3/4 RN	20	80	-
P93 020 000	G 3/4 M - G 1 RN	16	64	-
P93 025 000	G 1 M - G 1 1/4 RN	8	64	-
P93 032 000	G 1 1/4 M - G 1 1/2 RN	4	32	-

V38.03

3 fitting kit, supplied with gaskets and two check valve inserts suitable for thermostatic mixing valves

Max working temperature: **110 °C**

Max working pressure: **16 bar**



Code	Size			€
V38 020 000 03	G 3/4 M - G 3/4 RN	1	20	-
V38 025 000 03	G 1 M - G 1 RN	1	20	-

V38.04

2 fitting kit with nut, supplied with gaskets and two check valve inserts suitable for thermostatic mixing valves

Max working temperature: **110 °C**

Max working pressure: **16 bar**



Code	Size			€
V38 020 000 04	G 3/4 M - G 3/4 RN	1	20	-
V38 025 000 04	G 1 M - G 1 RN	1	20	-

630.T

4-way thermostatic mixing valve with 90° inlets - Kv 3,5 - range 30–60 °C - side plug

Flow coefficient: **Kv 3,5**
 Temperature adjustment range: **30–60 °C**
 Max working temperature: **90 °C**
 Max working pressure: **10 bar**



Code	Size			€
630 A20 000 T	Rp 3/4	1	10	-

630.10.T

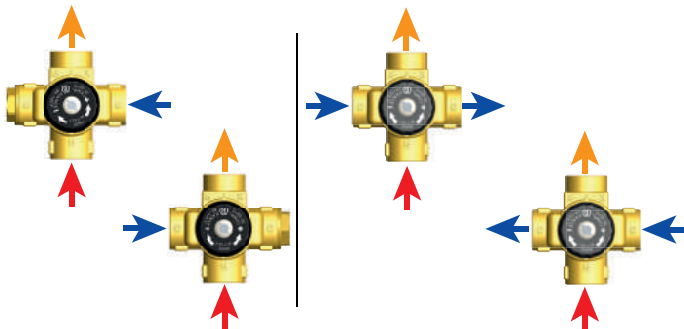
4-way thermostatic mixing valve with 90° inlets - Kv 3,5 - range 25–50 °C - side plug

Flow coefficient: **Kv 3,5**
 Temperature adjustment range: **25–50 °C**
 Max working temperature: **90 °C**
 Max working pressure: **10 bar**



Code	Size			€
630 A20 010 T	Rp 3/4	1	10	-

630: use of ports as 3 and 4-way valve



630.1.2.N

4-way thermostatic mixing valve with 90° inlets - pump connection - Kv 3,5 - range 30–60 °C - flat gasket - nickel plated

Flow coefficient: **Kv 3,5**
 Temperature adjustment range: **30–60 °C**
 Max working temperature: **90 °C**
 Max working pressure: **10 bar**



Code	Size			€
630 A20 N00 1	Rp 3/4 - G 1 1/2 RN	1	10	-

630.101.N

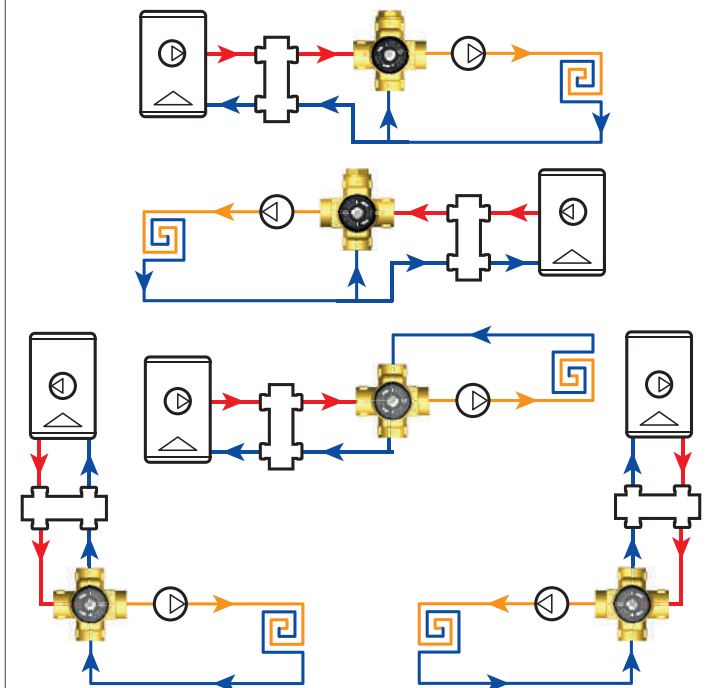
4-way thermostatic mixing valve with 90° inlets - pump connection - Kv 3,5 - range 25–50 °C - flat gasket - nickel plated

Flow coefficient: **Kv 3,5**
 Temperature adjustment range: **25–50 °C**
 Max working temperature: **90 °C**
 Max working pressure: **10 bar**



Code	Size			€
630 A20 N10 1	Rp 3/4 - G 1 1/2 RN	1	10	-

630 for fixed point regulation in radiant panel system



THERMAL SOLAR THERMOSTATIC MIXING VALVES

P04



Thermal solar system thermostatic mixing valve - antiscald - Kv 1,8 - range 30–65 °C

Flow coefficient: **Kv 1,8**
 Temperature adjustment range: **30–65 °C**
 Max working temperature: **110 °C**
 Max working pressure: **10 bar**



Code	Size			€
P04 A20 000	G 3/4 M	1	20	-
P04 A25 000	G 1 M	1	20	-

P05



Thermal solar system thermostatic mixing valve - antiscald - Kv 2,3 - range 30–65 °C

Flow coefficient: **Kv 2,3**
 Temperature adjustment range: **30–65 °C**
 Max working temperature: **110 °C**
 Max working pressure: **10 bar**



Code	Size			€
P05 A20 000	G 3/4 M	1	20	-
P05 A25 000	G 1 M	1	20	-

P04.L2



Thermal solar system thermostatic mixing valve - antiscald - Kv 1,8 - range 30–65 °C. Fittings and check valves insert unassembled (V38.04)

Flow coefficient: **Kv 1,8**
 Temperature adjustment range: **30–65 °C**
 Max working temperature: **110 °C**
 Max working pressure: **10 bar**



Code	Size			€
P04 A20 000 L2	G 3/4 M	1	20	-
P04 A25 000 L2	G 1 M	1	20	-

P05.L2



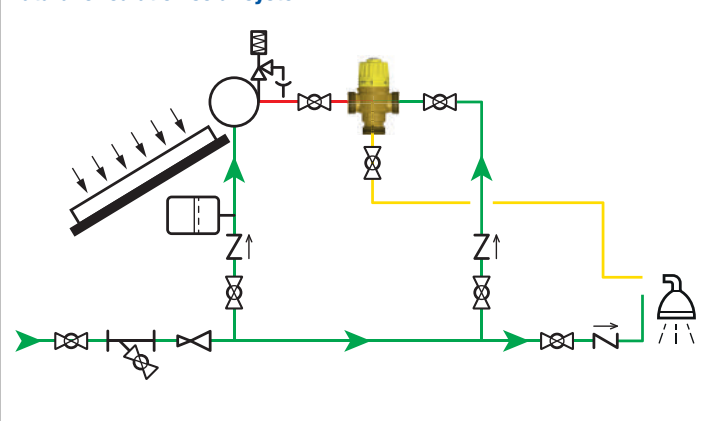
Thermal solar system thermostatic mixing valve - antiscald - Kv 2,3 - range 30–65 °C. Fittings and check valve insert unassembled (V38.04)

Flow coefficient: **Kv 2,3**
 Temperature adjustment range: **30–65 °C**
 Max working temperature: **110 °C**
 Max working pressure: **10 bar**

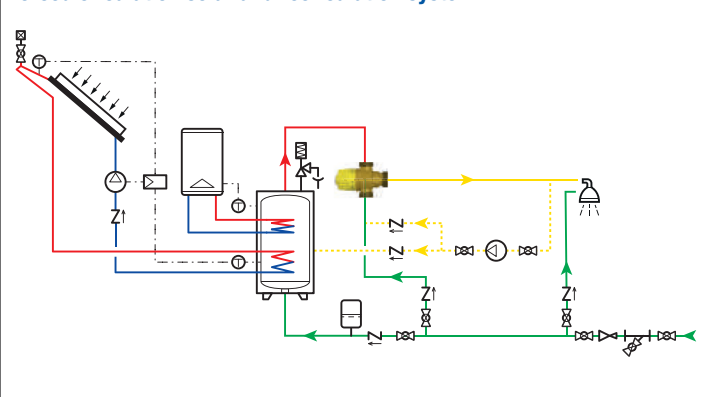


Code	Size			€
P05 A20 000 L2	G 3/4 M	1	20	-
P05 A25 000 L2	G 1 M	1	20	-

Natural circulation solar system



Forced circulation solar and recirculation system



V38.03

3 fitting kit, supplied with gaskets and two check valve inserts suitable for thermostatic mixing valves

Max working temperature: **110 °C**
Max working pressure: **16 bar**



Code	Size			€
V38 020 000 03	G 3/4 M - G 3/4 RN	1	20	-
V38 025 000 03	G 1 M - G 1 RN	1	20	-

V38.04

2 fitting kit with nut, supplied with gaskets and two check valve inserts suitable for thermostatic mixing valves

Max working temperature: **110 °C**
Max working pressure: **16 bar**



Code	Size			€
V38 020 000 04	G 3/4 M - G 3/4 RN	1	20	-
V38 025 000 04	G 1 M - G 1 RN	1	20	-

V38.02

2 fitting kit with flat face supplied with gaskets and check valve inserts for thermostatic mixing valves

Max working temperature: **130 °C**
Max working pressure: **16 bar**



Code	Size			€
V38 020 000 02	G 3/4 M - G 3/4 F	1	20	-

V16

Thermostatic diverting valve with fixed setting - Kv 3,5

Flow coefficient: **Kv 3,5**
Diverting valve setting: **45 °C**
Max working temperature: **100 °C**
Max working pressure: **10 bar**



Code	Size	°C			€
V16 M25 00A	G 1 M	45	1	20	-

V16.L2

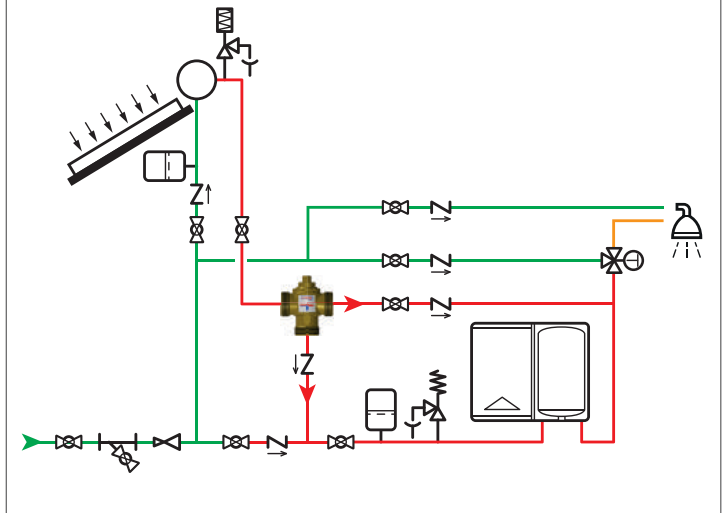
Thermostatic diverting valve with fixed setting - Kv 3,5 - with fittings P93

Flow coefficient: **Kv 3,5**
Diverting valve setting: **45 °C**
Max working temperature: **100 °C**
Max working pressure: **10 bar**



Code	Size	°C			€
V16 M25 00A L2	G 3/4 M	45	1	10	-

V16: solar DHW supply to user or integration with a boiler



V20



Solar-to-boiler thermal integration kit with thermostatic diverting valve and thermostatic mixing valve. For boiler with storage or boiler with instantaneous DHW production able to receive pre-heated water at the inlet.

Flow coefficient: **Kv 2**

Temperature adjustment range: **35–60 °C**

Diverting valve setting: **45 °C**

Max working temperature: **95 °C**

Max working pressure: **10 bar**



Code	Size			€
V20 M25 001	G 1 M	1	6	-

V20.L1



Solar-to-boiler thermal integration kit with thermostatic diverting valve and thermostatic mixing valve - 5 fittings and 3 check valves inserts. For boiler with storage or boiler with instantaneous DHW production able to receive pre-heated water at the inlet.

Flow coefficient: **Kv 2**

Temperature adjustment range: **35–60 °C**

Diverting valve setting: **45 °C**

Max working temperature: **95 °C**

Max working pressure: **10 bar**



Code	Size			€
V20 M25 001 L1	G 1 M	1	6	-

V20.L2



Solar-to-boiler thermal integration kit with thermostatic diverting valve and thermostatic mixing valve - 5 fittings P93. For boiler with storage or boiler with instantaneous DHW production able to receive pre-heated water at the inlet.

Flow coefficient: **Kv 2**

Temperature adjustment range: **35–60 °C**

Diverting valve setting: **45 °C**

Max working temperature: **95 °C**

Max working pressure: **10 bar**



Code	Size			€
V20 M25 001 L2	G 3/4 M	1	6	-

V20.1

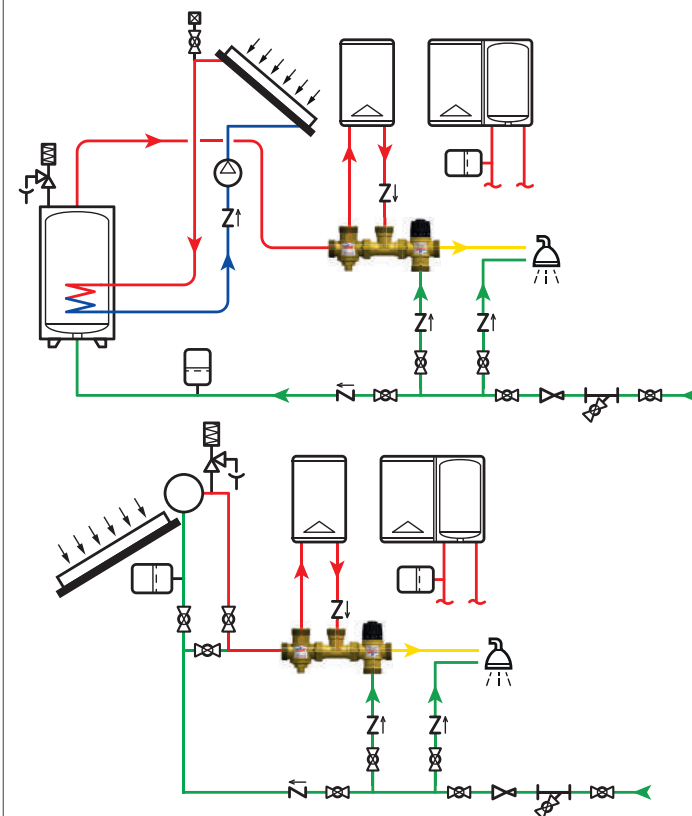


Insulation for solar-to-boiler integration kit V20, V20.L1, V20.L2

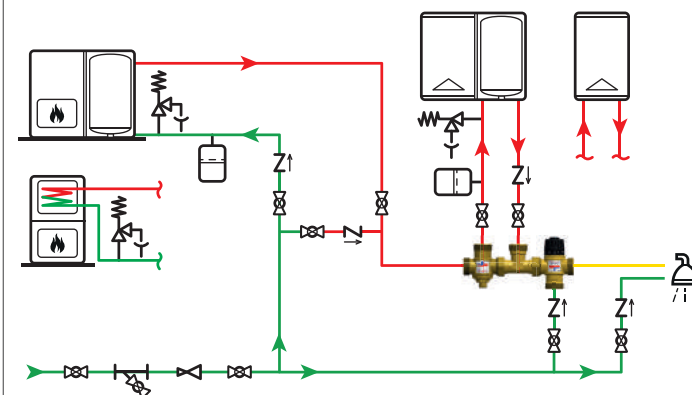
Max working temperature: **140 °C**

Code	Size			€
V20 000 001	225 mm x 100 mm	-	-	-

V20 for integration: forced circulation solar-to-boiler; natural circulation solar-to-boiler



V20 for biomass-to-boiler integration



V13

woody

Anti-condensation thermostatic mixing valve for solid fuel generators - Kv 3,2

Flow coefficient: **Kv 3,2**

Anti-condensation setting: **45-55-60-70 °C**

Temperature of by-pass hot port fully closing:

$T_{mix} = T_{set} + 10 \text{ °C} = TR$

Max working temperature: **100 °C**

Max working pressure: **10 bar**



Code	Size	°C			€
V13 M25 00A	G 1 M	45	1	20	-
V13 M25 00B	G 1 M	55	1	20	-
V13 M25 00C	G 1 M	60	1	20	-
V13 M25 00D	G 1 M	70	1	20	-

V13.L1

woody

Anti-condensation thermostatic mixing valve for solid fuel generators - Kv 3,2 - with reduced fittings P93

Flow coefficient: **Kv 3,2**

Anti-condensation setting: **45-55-60-70 °C**

Temperature of by-pass hot port fully closing:

$T_{mix} = T_{set} + 10 \text{ °C} = TR$

Max working temperature: **100 °C**

Max working pressure: **10 bar**



Code	Size	°C			€
V13 M25 00A L1	G 3/4 M	45	1	20	-
V13 M25 00B L1	G 3/4 M	55	1	20	-
V13 M25 00C L1	G 3/4 M	60	1	20	-
V13 M25 00D L1	G 3/4 M	70	1	20	-

V13.5R

woody

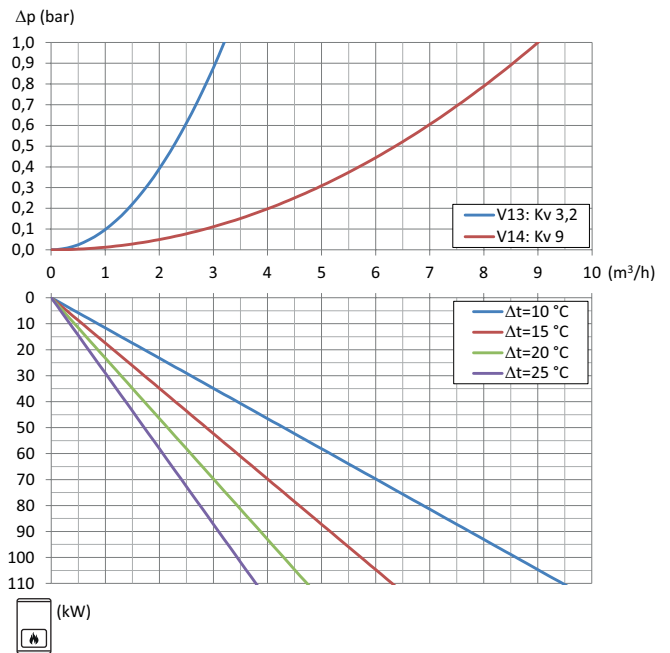
Thermostatic element for anti-condensation thermostatic mixing valve V13, V13.L1, V13.L2 and V13.1.2

Setting temperature: **45-55-60-70 °C**



Code	°C			€
V13 025 005 AR	45	-	-	-
V13 025 005 BR	55	-	-	-
V13 025 005 CR	60	-	-	-
V13 025 005 DR	70	-	-	-

Sizing of V13 and V14



Anti-condensation valve sizing:

- enter the lower diagram with the solid fuel generator power output value (vertical axis, kW);
- cross the line of the working delta temperature (°C);
- read the corresponding working flow rate value on the horizontal axis (m³/h);
- in the the upper diagram, at the same flow rate value, cross the hydraulic characteristic lines of the valves;
- read the corresponding valve head loss value on the vertical axis (bar);
- sum this head loss to the circuit head losses and compare them to the available pump head.

ANTI-CONDENSATION THERMOSTATIC MIXING VALVES

V14

woody

Anti-condensation thermostatic mixing valve for solid fuel generators - Kv 9

Flow coefficient: **Kv 9**

Anti-condensation setting: **45-55-60-70 °C**

Temperature of by-pass hot port fully closing:

$T_{mix} = T_{set} + 10\text{ °C} = TR$

Max working temperature: **100 °C**

Max working pressure: **10 bar**



Code	Size	°C			€
V14 025 00A	Rp 1	45	1	12	-
V14 M32 00A	G 1 1/4 M	45	1	12	-
V14 025 00B	Rp 1	55	1	12	-
V14 M32 00B	G 1 1/4 M	55	1	12	-
V14 025 00C	Rp 1	60	1	12	-
V14 M32 00C	G 1 1/4 M	60	1	12	-
V14 025 00D	Rp 1	70	1	12	-
V14 M32 00D	G 1 1/4 M	70	1	12	-

V14.L1

woody

Anti-condensation thermostatic mixing valve for solid fuel generators - Kv 9 - with reduced fittings P93

Flow coefficient: **Kv 9**

Anti-condensation setting: **45-55-60-70 °C**

Temperature of by-pass hot port fully closing:

$T_{mix} = T_{set} + 10\text{ °C} = TR$

Max working temperature: **100 °C**

Max working pressure: **10 bar**



Code	Size	°C			€
V14 M32 00A L1	G 1 M	45	1	12	-
V14 M32 00B L1	G 1 M	55	1	12	-
V14 M32 00C L1	G 1 M	60	1	12	-
V14 M32 00D L1	G 1 M	70	1	12	-

V14.5R

woody

Thermostatic element for anti-condensation thermostatic mixing valve V14, V14.L1, V14.1

Setting temperature: **45-55-60-70 °C**



Code	°C			€
V14 025 005 AR	45	-	-	-
V14 025 005 BR	55	-	-	-
V14 025 005 CR	60	-	-	-
V14 025 005 DR	70	-	-	-

V14.1

woody

Anti-condensation thermostatic mixing valve for solid fuel generators - pump connection - male connection - Kv 9

Flow coefficient: **Kv 9**

Anti-condensation setting: **45-55-60-70 °C**

Temperature of by-pass hot port fully closing:

$T_{mix} = T_{set} + 10\text{ °C} = TR$

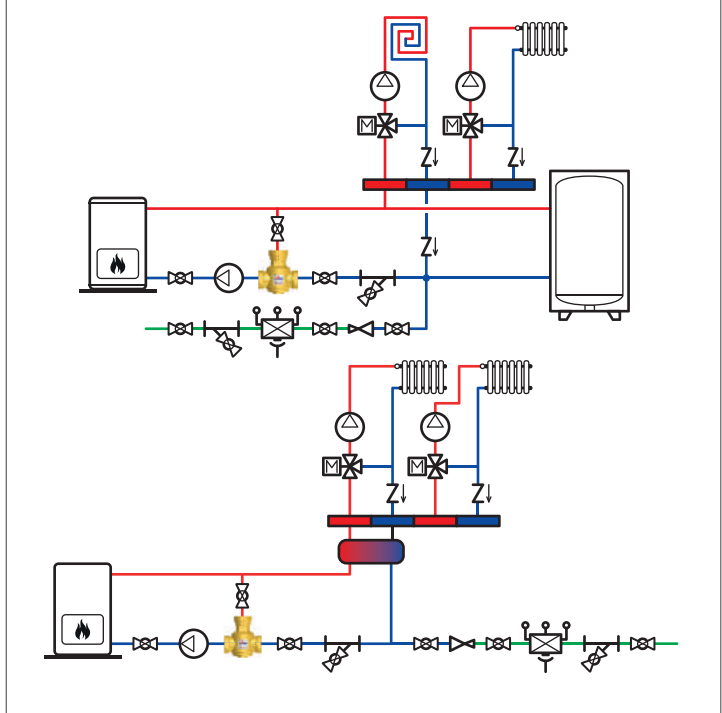
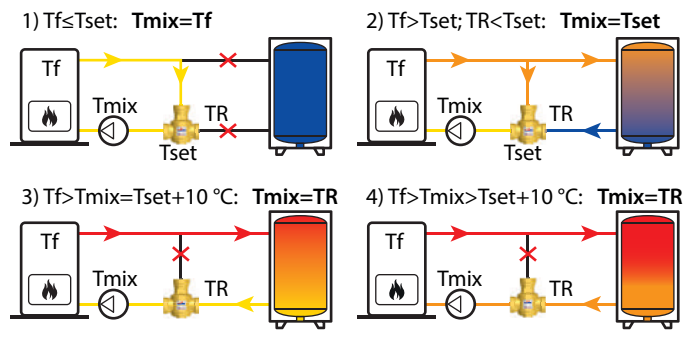
Max working temperature: **100 °C**

Max working pressure: **10 bar**



Code	Size	°C			€
V14 M32 00A 1	G 1 1/2 M - G 1 1/2 RN - G 1 M	45	1	12	-
V14 M32 00B 1	G 1 1/2 M - G 1 1/2 RN - G 1 M	55	1	12	-
V14 M32 00C 1	G 1 1/2 M - G 1 1/2 RN - G 1 M	60	1	12	-
V14 M32 00D 1	G 1 1/2 M - G 1 1/2 RN - G 1 M	70	1	12	-

Operating principle of V13-V14 and diagrams with buffer storage and direct connection



Y77.2

Fitting with running nut and flat gasket - M and F connection of the same size

Max working temperature: **110 °C**

Max working pressure: **16 bar**



Code	Size	Kv			€
Y77 A25 000 2	G 1 M - G 1 RN	14	20	80	-

P93

Fitting with running nut and flat gasket

Max working temperature: **100 °C**

Max working pressure: **25 bar**



Code	Size			€
P93 015 000	G 1/2 M - G 3/4 RN	20	80	-
P93 020 000	G 3/4 M - G 1 RN	16	64	-
P93 025 000	G 1 M - G 1 1/4 RN	8	64	-
P93 032 000	G 1 1/4 M - G 1 1/2 RN	4	32	-

03C

Temperature safety relief valve, with double safety sensor, for solid fuel generators.

Setting temperature: **95 °C (±3 °C)**

Discharge flow rate: **1350 l/h (Δp=1 bar, T=95 °C)**

Capillary length: **1300 mm**

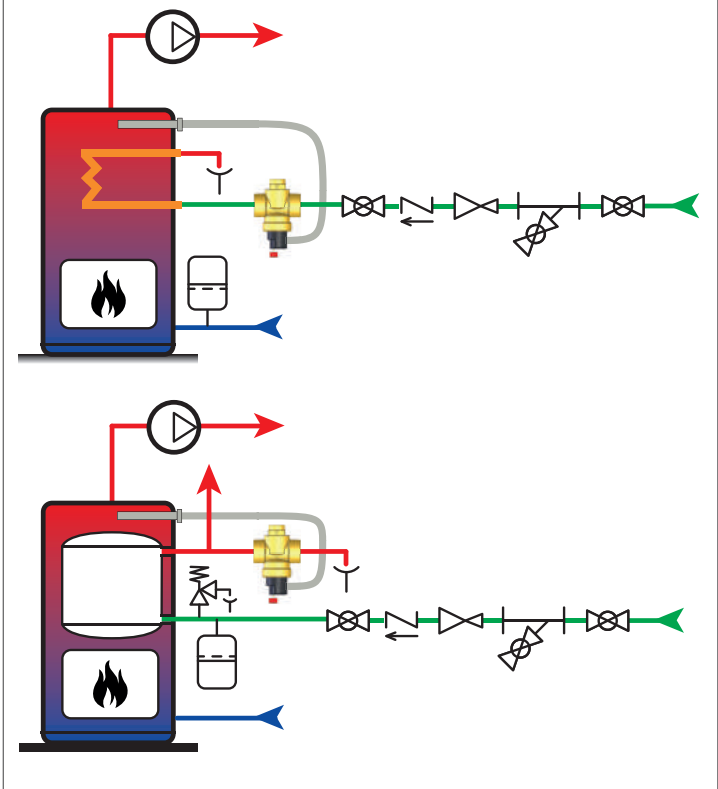
Working temperature range: **5–110 °C**

Max working pressure: **10 bar**



Code	Size			€
03C 020 000 NEW	G 3/4 F	1	-	-

03C coupled to: safety heat exchanger/built-in storage



ROTARY
MIXING VALVES
AND ACTUATORS

B2



NEW M03.4

MULTIFUNCTION ACTUATOR

2⇌1

ALL-IN-ONE
3P + 2P



RELAY
TECHNOLOGY



QR CODE
FOR INFO &
TRACEABILITY



NEW KIT 460.1

ALSO AVAILABLE IN KIT VALVE + ACTUATOR

Use as mixing or diverting valve

460 461 475 V60	MIX Standard		MIX		MIX		MIX	
	DEV Standard		DEV Standard		DEV		DEV	
450 451 476 V50	MIX Standard		MIX		---	---	---	---
	DEV Standard		---	---	---	---	---	---
V52 V53	MIX Standard		MIX		---	---	---	---
	DEV Standard		---	---	---	---	---	---
V55	DEV Standard		DEV Standard		---	---	---	---
P51	MIX Standard		MIX		MIX		MIX	
	DEV Standard		DEV Standard		DEV		DEV	
P88	MIX Standard		MIX		---	---	---	---
	DEV Standard		DEV Standard		---	---	---	---
P52	MIX Standard		MIX		---	---	---	---

This table shows the use of the valves in mixing (MIX) or diverting mode (DEV). The valves are supplied with the factory configuration called "Standard". Ports can be used according to the other configurations indicated in the table.

3-WAY MIXING VALVES

460

3-way mixing valve - F

Max working temperature: **110 °C**

Max working pressure: **10 bar**



Code	Size	Kv			€
460 015 00M N	Rp 1/2	1,6	1	10	-
460 015 00M A	Rp 1/2	2,5	1	10	-
460 020 00M B	Rp 3/4	4	1	10	-
460 020 00M C	Rp 3/4	6	1	10	-
460 025 00M D	Rp 1	8	1	10	-
460 025 00M E	Rp 1	12	1	10	-
460 032 00M F	Rp 1 1/4	15	1	10	-
460 032 00M G	Rp 1 1/4	18	1	10	-
460 040 00M L	Rp 1 1/2	26	1	8	-
460 050 00M M	Rp 2	40	1	8	-

461

3-way mixing valve - M

Max working temperature: **110 °C**

Max working pressure: **10 bar**



Code	Size	Kv			€
461 020 00M A	G 3/4 M	2,5	1	10	-
461 025 00M A	G 1 M	2,5	1	10	-
461 025 00M B	G 1 M	4	1	10	-
461 025 00M C	G 1 M	6	1	10	-
461 032 00M D	G 1 1/4 M	8	1	10	-
461 032 00M E	G 1 1/4 M	12	1	10	-
461 040 00M F	G 1 1/2 M	15	1	10	-
461 040 00M G	G 1 1/2 M	18	1	10	-

V60

Double thread 3-way rotary mixing valve - MF.
Male and female thread on each port.

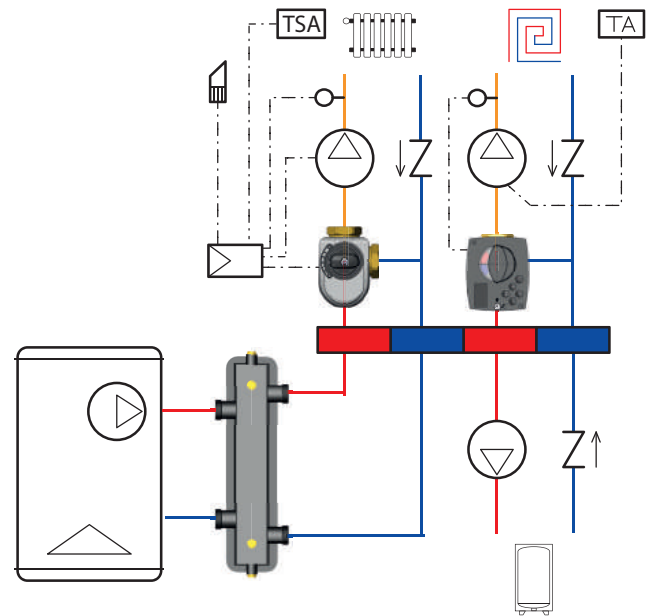
Max working temperature: **110 °C**

Max working pressure: **10 bar**

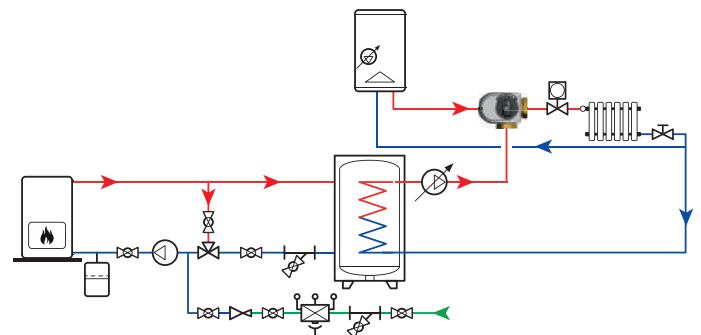


Code	Size	Kv			€
V60 025 00M D	G 1 F+G 1 1/2 M	8	1	10	-
V60 025 00M E	G 1 F+G 1 1/2 M	12	1	10	-

460 mixing valve with M03.3 actuator and weather compensated regulation, 460 mixing valve with P27T2 actuator and fixed point regulation.



Coupling of two generators



450

4-way mixing valve - F

Max working temperature: **110 °C**

Max working pressure: **10 bar**



Code	Size	Kv			€
450 015 00M A	Rp 1/2	2,5	1	10	-
450 020 00M B	Rp 3/4	4	1	10	-
450 020 00M C	Rp 3/4	6	1	10	-
450 025 00M D	Rp 1	8	1	10	-
450 025 00M E	Rp 1	12	1	10	-
450 032 00M F	Rp 1 1/4	15	1	10	-
450 032 00M G	Rp 1 1/4	18	1	10	-
450 040 00M L	Rp 1 1/2	26	1	8	-
450 050 00M M	Rp 2	40	1	8	-

451

4-way mixing valve - M

Max working temperature: **110 °C**

Max working pressure: **10 bar**



Code	Size	Kv			€
451 020 00M A	G 3/4 M	2,5	1	10	-
451 025 00M B	G 1 M	4	1	10	-
451 025 00M C	G 1 M	6	1	10	-
451 032 00M D	G 1 1/4 M	8	1	10	-
451 032 00M E	G 1 1/4 M	12	1	10	-
451 040 00M F	G 1 1/2 M	15	1	10	-
451 040 00M G	G 1 1/2 M	18	1	10	-

441.I

Knob and screw kit for mixing valve manual setting



Code	€
441 015 011 I	-

V50

Double thread 4-way rotary mixing valve - MF. Male and female thread on each port.

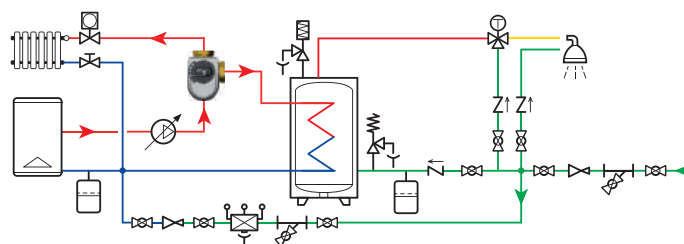
Max working temperature: **110 °C**

Max working pressure: **10 bar**

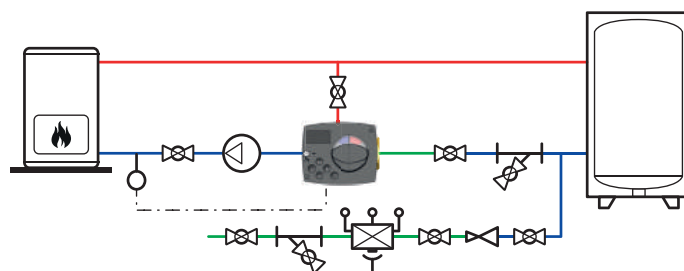


Code	Size	Kv			€
V50 025 00M D	G 1 F+G 1 1/2 M	8	1	10	-

Use of 3-way valves as priority between heating and DHW production



Use of 3-way valves with P27T2 actuator with anti-condensation function



P93

Fitting with running nut and flat gasket

Max working temperature: **100 °C**

Max working pressure: **25 bar**



Code	Size			€
P93 015 000	G 1/2 M - G 3/4 RN	20	80	-
P93 020 000	G 3/4 M - G 1 RN	16	64	-
P93 025 000	G 1 M - G 1 1/4 RN	8	64	-
P93 032 000	G 1 1/4 M - G 1 1/2 RN	4	32	-



NUMBER OF PIECES IN BOX



NUMBER OF PIECES IN CARTON



ARTICLE THE BEST SELLER



NEW ARTICLE



V52

Bivalent 4-way mixing valve - F. Can be used as mixing valve (3 inlets, 1 outlet) and diverting valve (1 inlet, 3 outlets).

Working temperature range: **0–110 °C**

Rotation angle: **90°**

Obturator rotation torque: **<5 N·m**

Leakage: **<0,1%**

Suitable fluids: **water for heating systems, glycol solutions (max 50%)**

Max working pressure: **10 bar**



Code	Size	Kv			€
V52 020 OMC	Rp 3/4	6,3	1	10	-
V52 025 OMI	Rp 1	10	1	10	-

V53

Bivalent 4-way mixing valve - M. Can be used as mixing valve (3 inlets, 1 outlet) and diverting valve (1 inlet, 3 outlets).

Working temperature range: **0–110 °C**

Rotation angle: **90°**

Obturator rotation torque: **<5 N·m**

Leakage: **<0,1%**

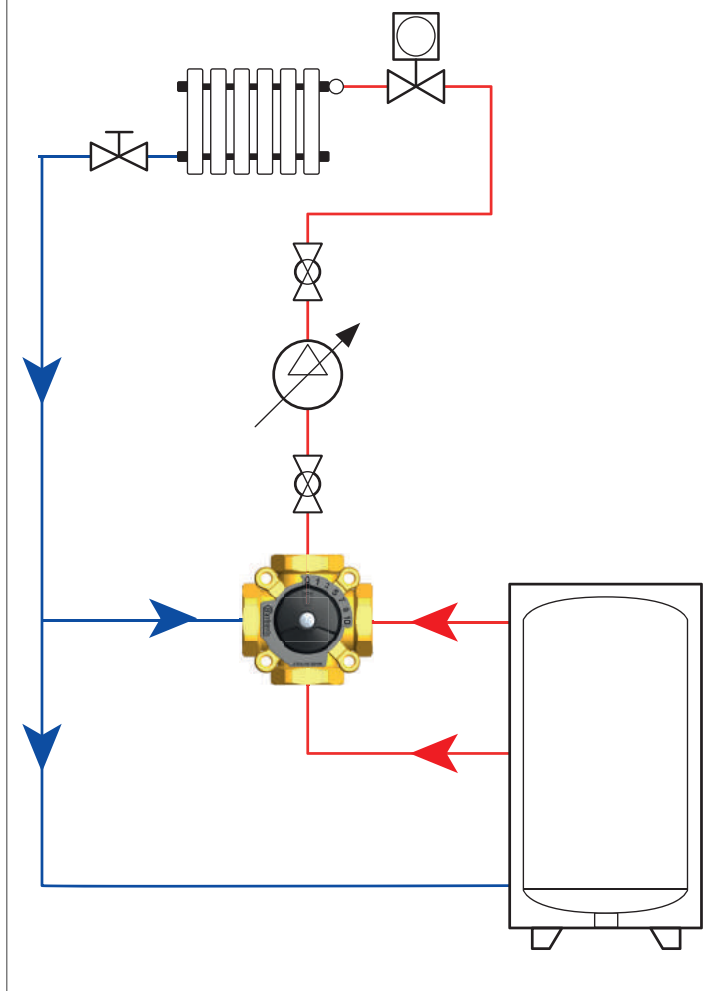
Suitable fluids: **water for heating systems, glycol solutions (max 50%)**

Max working pressure: **10 bar**

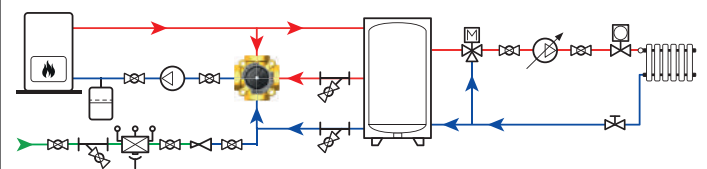


Code	Size	Kv			€
V53 025 OMC	G 1 M	6,3	1	10	-
V53 032 OMI	G 1 1/4 M	10	1	10	-

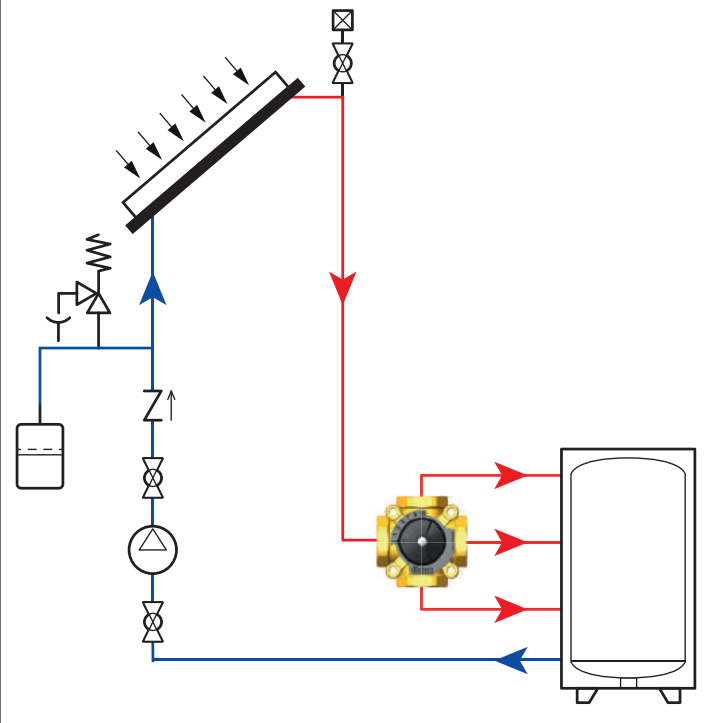
Use of V52 and V53 as mixing valves



Use of V52 and V53 valves with anti-condensation function



Use of V52 and V53 as diverting valves



51D.DN20

Kit composed of mixing valve with by-pass, pump connection and T-joint on the return

Connection centre distance: **90 mm**
 Max working temperature: **110 °C**
 Max working pressure: **10 bar**



Code	Size	Kv			€
51D 025 0B0	G 1 M - G 1 RN	4	1	8	-

51D

Kit composed of mixing valve with by-pass, pump connection and T-joint on the return

Connection centre distance: **125 mm**
 Max working temperature: **110 °C**
 Max working pressure: **10 bar**



Code	Size	Kv			€
51D 040 0C0	G 1 1/2 M - G 1 1/2 RN	6	1	8	-
51D 040 0I0	G 1 1/2 M - G 1 1/2 RN	10	1	8	-
51D 050 0G0	G 2 M - G 2 RN	18	1	8	-

41D

3-way mixing valve with by-pass fitted to be actuated - pump connection - distribution manifold connection

Max working temperature: **110 °C**
 Max working pressure: **10 bar**



Code	Size	Kv			€
41D 025 000 B	G 1 M - G 3/4 M - G 1 RN	4	1	10	-
41D 040 000 C	G 1 1/2 M - G 1 M - G 1 1/2 RN	6	1	10	-
41D 040 000 I	G 1 1/2 M - G 1 M - G 1 1/2 RN	10	1	10	-
41D 050 000 G	G 2 M - G 1 1/4 M - G 2 RN	18	1	10	-

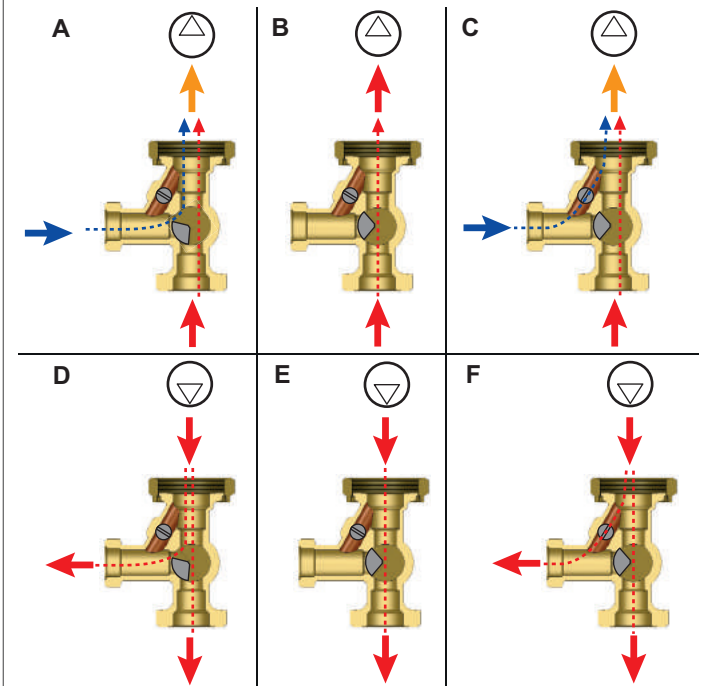
440.I

Knob and screw kit for mixing valve manual setting



Code	€
440 015 011 I	-

Operating principle of 41D and 51D



- A- Mix with by-pass closed
- B- Mix with hot port fully open and by-pass closed
- C- Mix with hot port fully open and by-pass open
- D- Diverting with by-pass closed
- E- Diverting with straight way fully open
- F- Diverting with both straight way and by-pass open

V55

Motorized rotary diverting valve - F. Complete with actuator with 90° rotation angle, 2 point type, on/off regulation, blocking screw, valve adaptor, anti-rotation pin, 1 m integrated cable, output contact in tension.

Max working temperature: **110 °C**

Leakage: **<0,1%**

Suitable fluids: **water for heating systems, glycol solutions (max 50%)**

Max working pressure: **10 bar**

Torque: **6 N·m**

Rotation angle: **90°**

Protection class: **IP 44**

Frequency: **50-60 Hz**

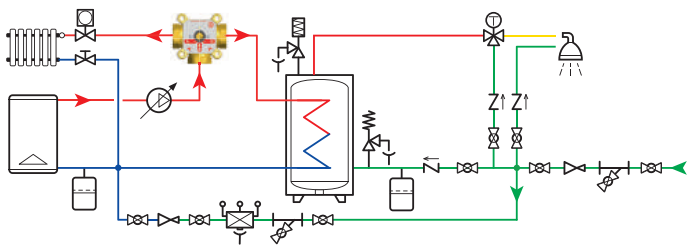
Power consumption: **5 VA**

Aux. microswitch contact rating: **6 (1) A**

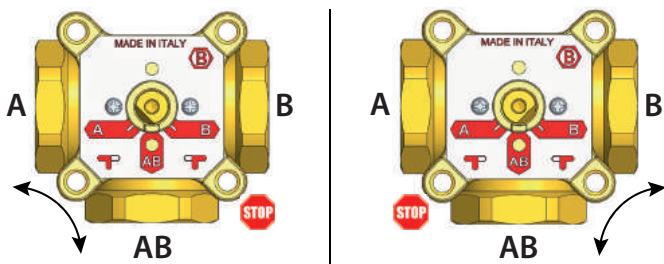


Code	Size	Kv	V	Running time [s]	Nr. poles	Cable [m]			€
V55 015 00A B	Rp 1/2	4	230	22	4	1	1	5	-
V55 020 00A D	Rp 3/4	8	230	22	4	1	1	5	-
V55 025 00A E	Rp 1	12	230	22	4	1	1	5	-
V55 032 00A F	Rp 1 1/4	15	230	22	4	1	1	5	-

V55: use as priority between heating and DHW production



V55: indications on the plate



The 2 point actuator activates the diverting valve, connecting the AB common port to the A or B port, with a rotation of 90°. The chamfer on the diverter stem indicates the valve position. Due to the shape of the diverter, these valves can be used only as diverting valves.

M03.21

Spare actuator for V55 diverting valves, rotation angle 90°, 2 point type, on/off regulation. Complete with blocking screw, valve adaptor, anti-rotation pin, 1 m integrated cable, output contact in tension.

Torque: **10 N·m**

Protection class: **IP 44**

Frequency: **50 Hz**

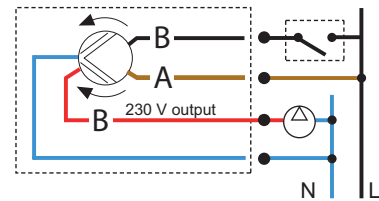
Power consumption: **4 VA**

Aux. microswitch contact rating: **6 (1) A**

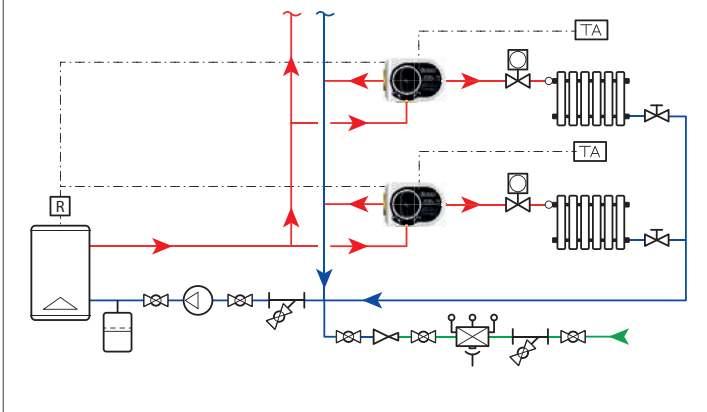
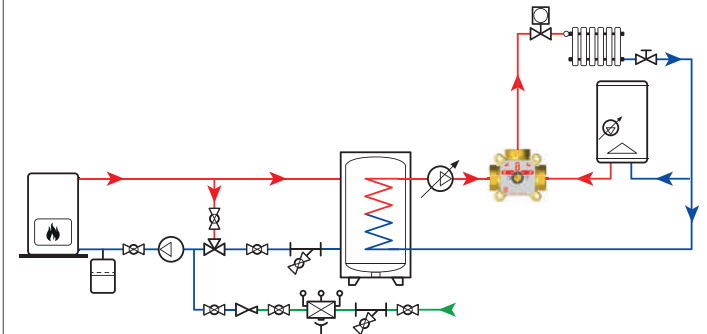


Code	V	Running time [s]	Nr. poles	Cable [m]			€
M03 005 1BD A	230	22	4	1	1	16	-

Wiring diagram M03.21, 2 points for diverting valve



V55: coupling of two generators/use as zone valve



460.1

3-way mixing valve with double regulation 3 and 2 point actuator with integrated relay. Female connections. Actuator: rotation angle 90°, blocking screw, valve adaptor, anti-rotation pin, 1,5 m integrated cable.

Max working temperature: **110 °C**
Max working pressure: **10 bar**
Torque: **10 N·m**
Supply: **230 V**
Protection class: **IP 44**
Frequency: **50 Hz**
Power consumption: **4 VA**



Code	Size	Kv	Running time [s]	Nr. poles			€
460 015 01M N	Rp 1/2	1,6	120	3	1	5	-
460 015 01M A TBS	Rp 1/2	2,5	120	3	1	5	-
460 020 01M B	Rp 3/4	4	120	3	1	5	-
460 020 01M C TBS	Rp 3/4	6	120	3	1	5	-
460 025 01M D	Rp 1	8	120	3	1	5	-
460 025 01M E TBS	Rp 1	12	120	3	1	5	-
460 032 01M F	Rp 1 1/4	15	120	3	1	5	-
460 032 01M G	Rp 1 1/4	18	120	3	1	5	-

M03.4

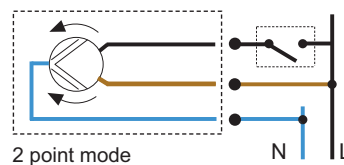
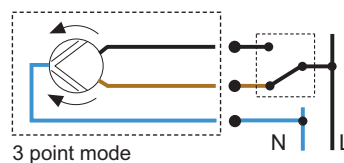
Actuator for mixing valves with double regulation 3 and 2 points and integrated relay. Rotation angle 90°. Complete with blocking screw, valve adaptor, anti-rotation pin, 1,5 m integrated cable.

Torque: **10 N·m**
Protection class: **IP 44**
Frequency: **50 Hz**
Power consumption: **4 VA**



Code	V	Running time [s]	Nr. poles	Cable [m]			€
M03 010 1RA B	230	120	3	1,5	1	16	-

M03.4: wiring diagram for 3 point and 2 point mode



To select the 3 or 2 point operating mode, it's only necessary to connect the cables according to its respective wiring diagram.

NEW M03.4

2⇌1

TBS

NEW

ALL-IN-ONE

NEW KIT 460.1

M03.3

Actuator for mixing valves, rotation angle 90°, 3 point regulation. Complete with blocking screw, valve adaptor, anti-rotation pin, 1,5 m integrated cable, auxiliary microswitch (only in 6 pole version)

Torque: **10 N·m**

Protection class: **IP 44**

Frequency: **50 Hz**

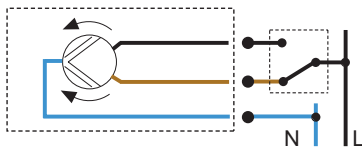
Power consumption: **4 VA**

Aux. microswitch contact rating: **6 (1) A**

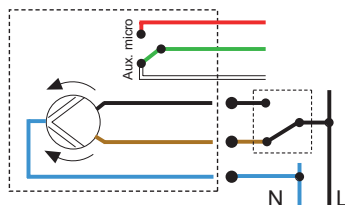


Code	V	Running time [s]	Nr. poles	Cable [m]			€
M03 010 1DA B	230	120	3	1,5	1	16	-
M03 010 1GA B	230	120	6	1,5	1	16	-
M03 010 1DB B	230	60	3	1,5	1	16	-
M03 010 1GB B	230	60	6	1,5	1	16	-
M03 010 2DA B	24	120	3	1,5	1	16	-
M03 010 2GA B	24	120	6	1,5	1	16	-
M03 010 2DB B	24	60	3	1,5	1	16	-
M03 010 2GB B	24	60	6	1,5	1	16	-

Wiring diagram M03.3, 3 poles



Wiring diagram M03.3, 6 poles with aux. microswitch



M03.2

Actuator for mixing valves (diverting working mode), rotation angle 90°, on/off regulation. Complete with blocking screw, valve adaptor, anti-rotation pin, 1,5 m integrated cable, auxiliary microswitch (only in 6 pole version)

Torque: **10 N·m**

Protection class: **IP 44**

Frequency: **50 Hz**

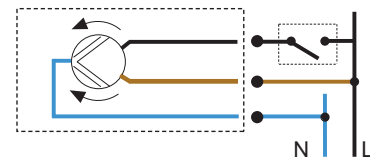
Power consumption: **4 VA**

Aux. microswitch contact rating: **6 (1) A**

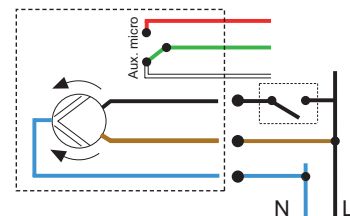


Code	V	Running time [s]	Nr. poles	Cable [m]			€
M03 010 1AA B	230	120	3	1,5	1	16	-
M03 010 1HA B	230	120	6	1,5	1	16	-
M03 010 1AB B	230	60	3	1,5	1	16	-
M03 010 1HB B	230	60	6	1,5	1	16	-
M03 010 2AA B	24	120	3	1,5	1	16	-
M03 010 2AB B	24	60	3	1,5	1	16	-

Wiring diagram M03.2, 3 poles



Wiring diagram M03.2, 6 poles with aux. microswitch



M03.K

Spare part kit for M03.4, M03.3 and M03.2 actuators. Complete with knob, indicator, blocking screw, mixing valve adaptor, anti-rotation pin.



Code			€
M03 000 000 K	1	-	-

P27T2

Actuator for mixing valves, rotation angle 90°, for 3 point regulation with integrated probe and temperature regulator. Temperature adjustment range 5–95 °C. Complete with blocking screw, mixing valve adaptor, anti-rotation pin, Pt 1000 probe (1,6 m cable), contact probe holder, integrated Shuko electrical plug (1,9 m cable).

Temperature adjustment range: 5–95 °C

Torque: 6 N·m

Protection class: IP 42

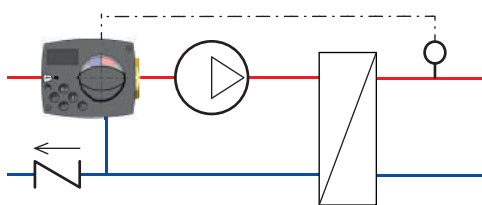
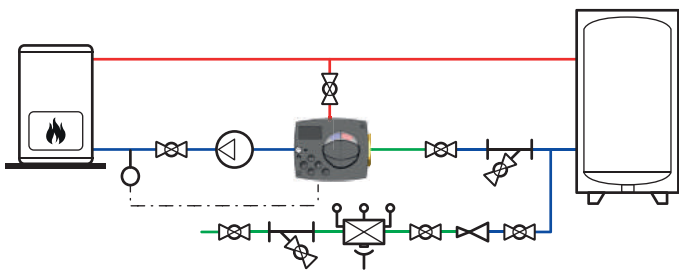
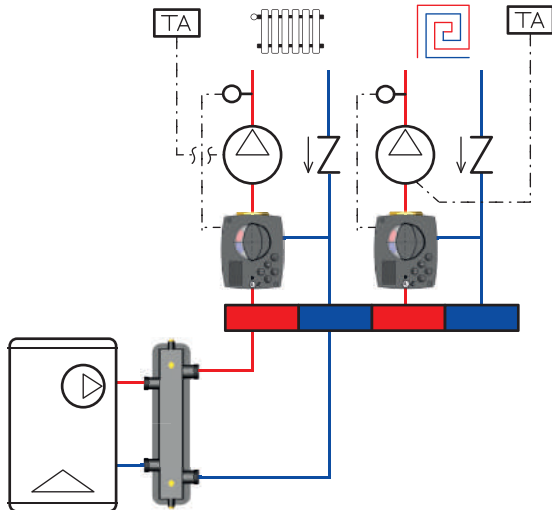
Frequency: 50 Hz

Power consumption: 1,5 VA



Code	V	Running time [s]	Nr. poles	Cable [m]			€
P27 230 010 T2	230	120	2	1,9	1	4	-

P27T2: fixed point regulation with 3-way mixing valves/Anticondensation for biomass generators/Regulation of a heat exchanger



M04

Actuator for mixing valves, rotation angle 90°, proportional regulation 0 (2)-10 V. Complete with blocking screw, valve adaptor, anti-rotation pin, 1,95 m integrated cable

Torque: 5 N·m

Feedback: 0–10 V/4–20 mA

Protection class: IP 42

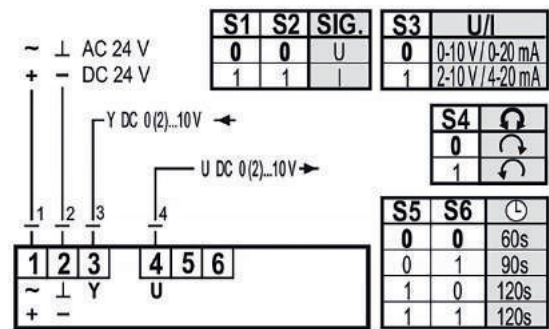
Frequency: 50 Hz

Power consumption: 4 VA



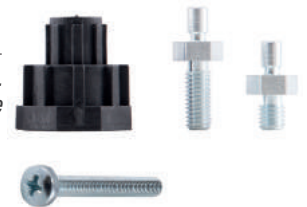
Code	V	Running time [s]	Nr. poles	Cable [m]			€
M04 010 3MA B	24	60 - 90 - 120	4	1,95	1	10	-

Wiring diagram M04 0(2)–10 V



M04.K

Spare part kit for P27T2 and M04 actuators. Complete with blocking screw, mixing valve adaptor, anti-rotation pin.



Code			€
M04 000 000 K	1	-	-

14D.10

Spare probe Pt 1000 for P27T2 actuator.

Working temperature range: -25–150 °C



Code	Size	Cable [m]			€
14D 100 010	4 mm	1	1	-	-

P51

3-way flanged sector mixing valve - PN 6

Max working temperature: **120 °C**

Max working pressure: **6 bar**

Material: **cast iron**



Code	Size	Kv		€
P51 040 00M M	DN 40	41	1	-
P51 050 00M N	DN 50	65	1	-
P51 065 00M O	DN 65	100	1	-
P51 080 00M P	DN 80	185	1	-
P51 100 00M Q	DN 100	310	1	-
P51 125 00M R	DN 125	510	1	-
P51 150 00M S	DN 150	820	1	-

P52

4-way flanged butterfly mixing valve - PN 6

Max working temperature: **120 °C**

Max working pressure: **6 bar**

Material: **cast iron**



Code	Size	Kv		€
P52 040 00M M	DN 40	41	1	-
P52 050 00M N	DN 50	65	1	-
P52 065 00M O	DN 65	100	1	-
P52 080 00M P	DN 80	185	1	-
P52 100 00M Q	DN 100	310	1	-
P52 125 00M R	DN 125	510	1	-
P52 150 00M S	DN 150	820	1	-

P88

3-way flanged butterfly mixing valve - PN 6

Max working temperature: **120 °C**

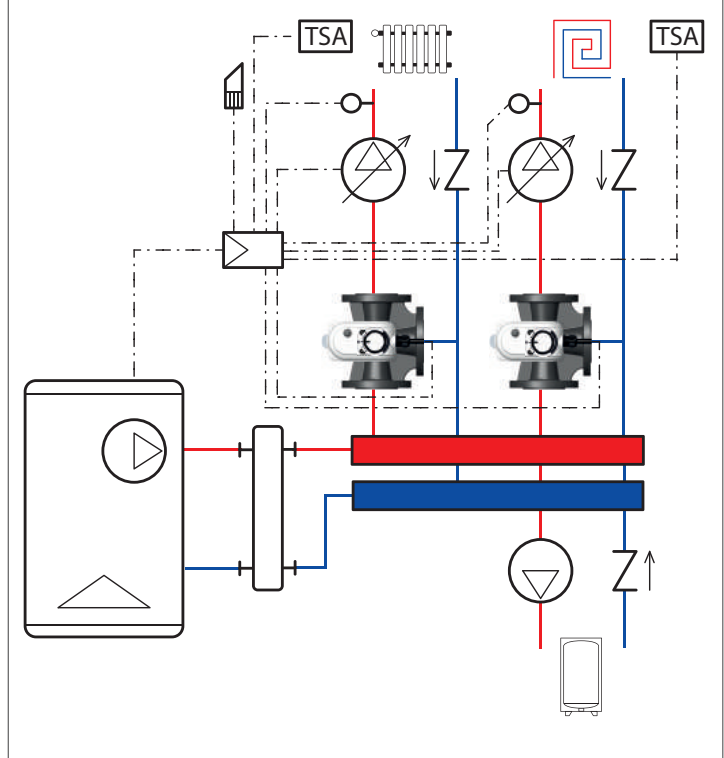
Max working pressure: **6 bar**

Material: **cast iron**

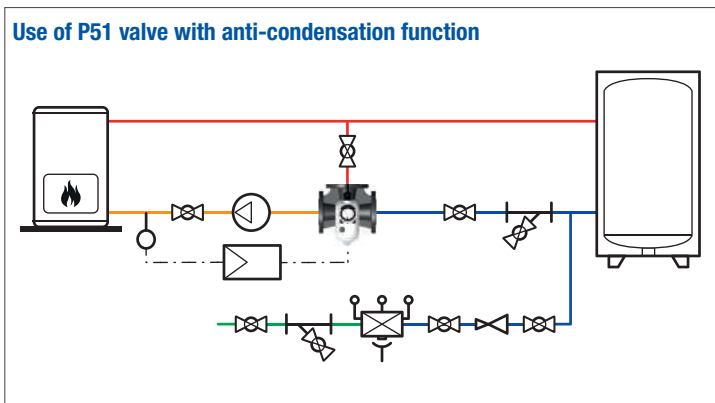


Code	Size	Kv		€
P88 040 00M M	DN 40	41	1	-
P88 050 00M N	DN 50	65	1	-
P88 065 00M O	DN 65	100	1	-
P88 080 00M P	DN 80	185	1	-
P88 100 00M Q	DN 100	310	1	-
P88 125 00M R	DN 125	510	1	-
P88 150 00M S	DN 150	820	1	-

P51 mixing valve with weather compensated regulation



Use of P51 valve with anti-condensation function



MO1.K

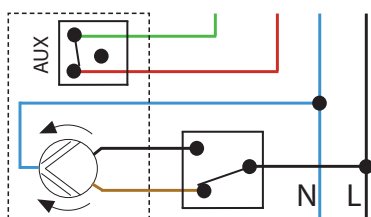
Actuator for flanged mixing valves, rotation angle 90°, 3 point regulation, with auxiliary microswitch and assembling kit (art. P87)

Torque: **20 N-m**
Protection class: **IP 54**
Frequency: **50 Hz**
Power consumption: **4 VA**
Aux. microswitch contact rating: **6 (1) A**



Code	V	Running time [s]	Nr. poles	Cable [m]			€
M01 020 2FA AK	24	120	5	0,9	1	12	-

Wiring diagram M01, 3 points with aux. microswitch



MO7.K

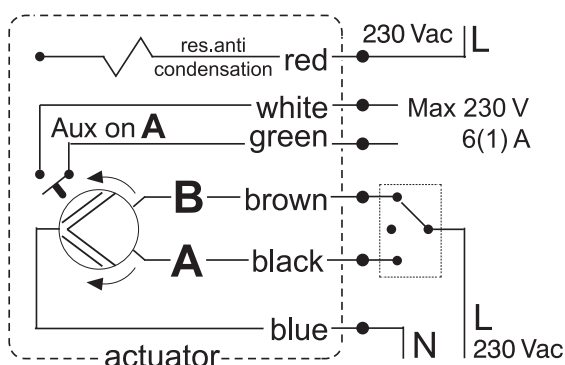
Actuator for flanged mixing valves, rotation angle 90°, 3 point regulation, with auxiliary microswitch and assembling kit (art. P87)

Torque: **18 N-m**
Protection class: **IP 65**
Frequency: **50-60 Hz**
Power consumption: **4,5 VA**
Aux. microswitch contact rating: **6 (1) A**



Code	V	Running time [s]	Nr. poles	Cable [m]			€
M07 018 10A AK	230	120	6	0,75	1	12	-

Wiring diagram M07, 3 points with aux. microswitch



M07.3QK

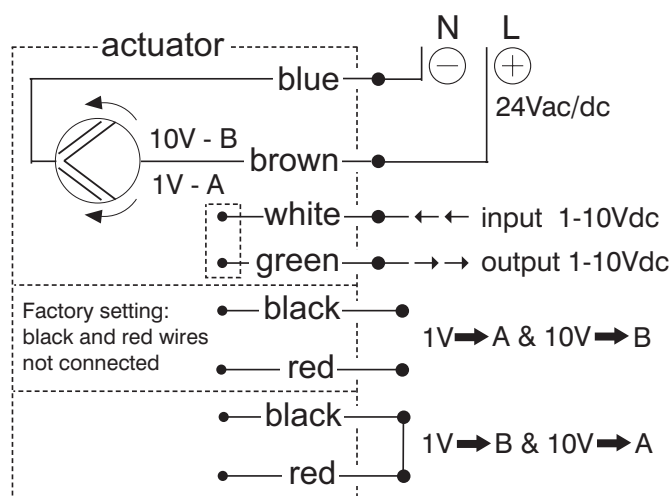
Actuator for flanged mixing valves, rotation angle 90°, 0-10 V regulation, with assembling kit (art. P87)

Torque: **18 N-m**
Protection class: **IP 65**
Frequency: **50-60 Hz**
Power consumption: **6 VA**



Code	V	Running time [s]	Nr. poles	Cable [m]			€
M07 015 3QA AK	24 ac/dc	120	6	0,75	1	12	-

Wiring diagram M07 0-10 V



P87

Assembling kit for flanged mixing valve actuator



Code			€
P87 000 00K	1	20	-

V38.05

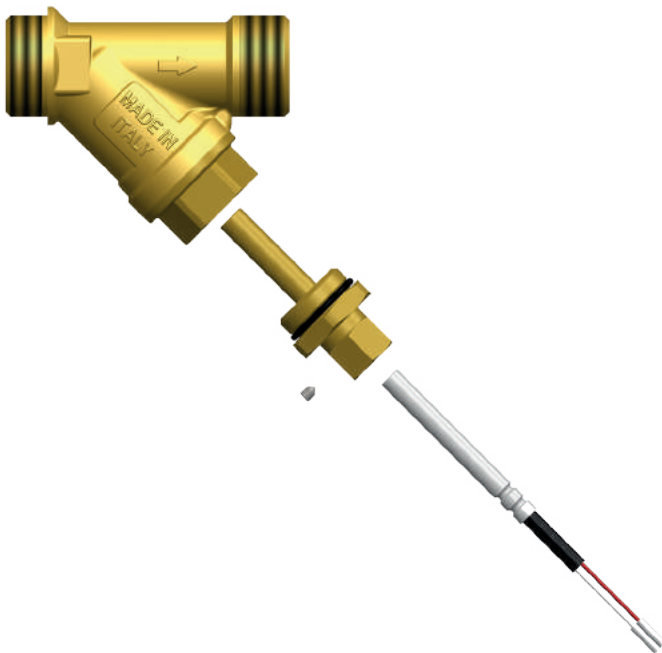
Kit with Y fitting and immersion probe pocket

Max working temperature: **95 °C**
 Max working pressure: **16 bar**
 Probe diameter: **6 mm**

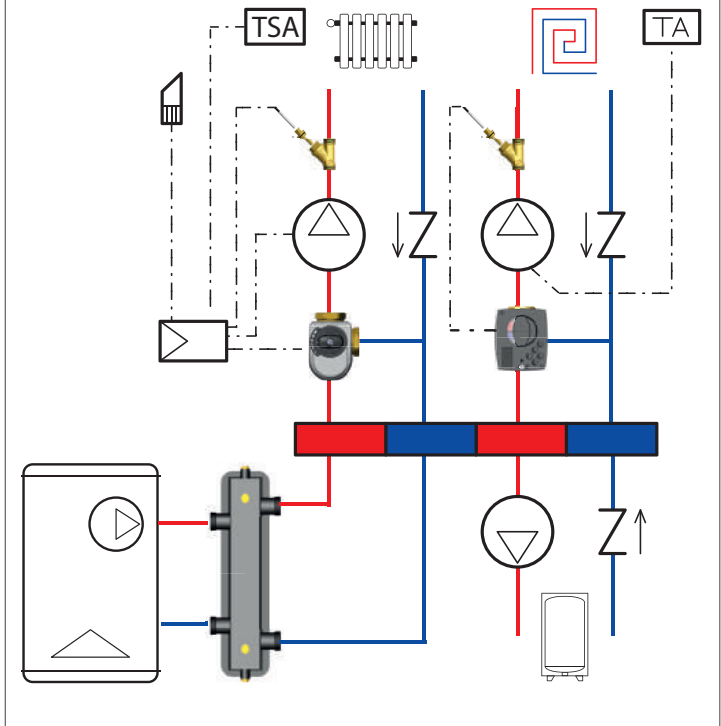


Code	Size			€
V38 020 000 05	G 3/4 M	2	-	-
V38 025 000 05	G 1 M	2	-	-

Fitting V38.05 with pocket specific for immersion probe



V38.05: application as probe holder on the flow pipe of a regulating system



P28.14

Immersion probe pocket - seal on fitting

Max working temperature: **95 °C**
 Max working pressure: **16 bar**
 Probe diameter: **6 mm**



Code	Size			€
P28 015 000 14	G 1/2 M	10	50	-

REGULATING
GROUPS
AND HEATING
COMPONENTS

B3



DN 20

EVERYTHING IN A
SMALL BOX



COMPACT



SEPARATOR CAN
BE DISABLED



FOR 2 OR 3
CIRCUITS



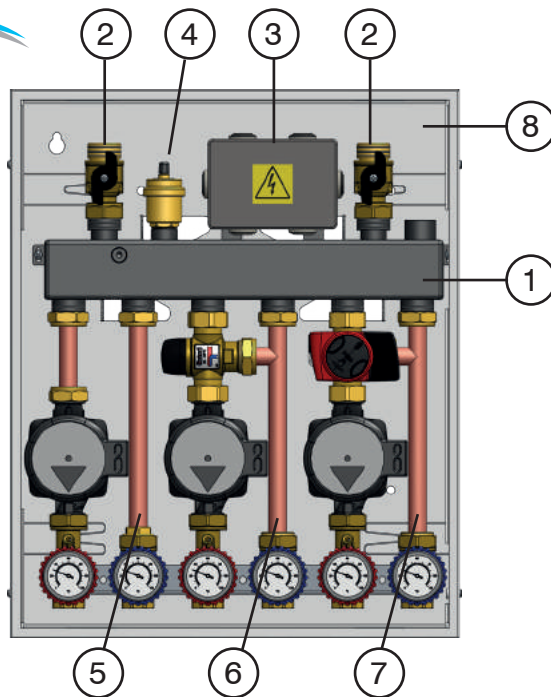
PRE-INSTALLED
AND PRE-WIRED



CAN BE WALL
RECESSED

NEW **BOX** WALL
DN20

REGULATING GROUPS IN BOX

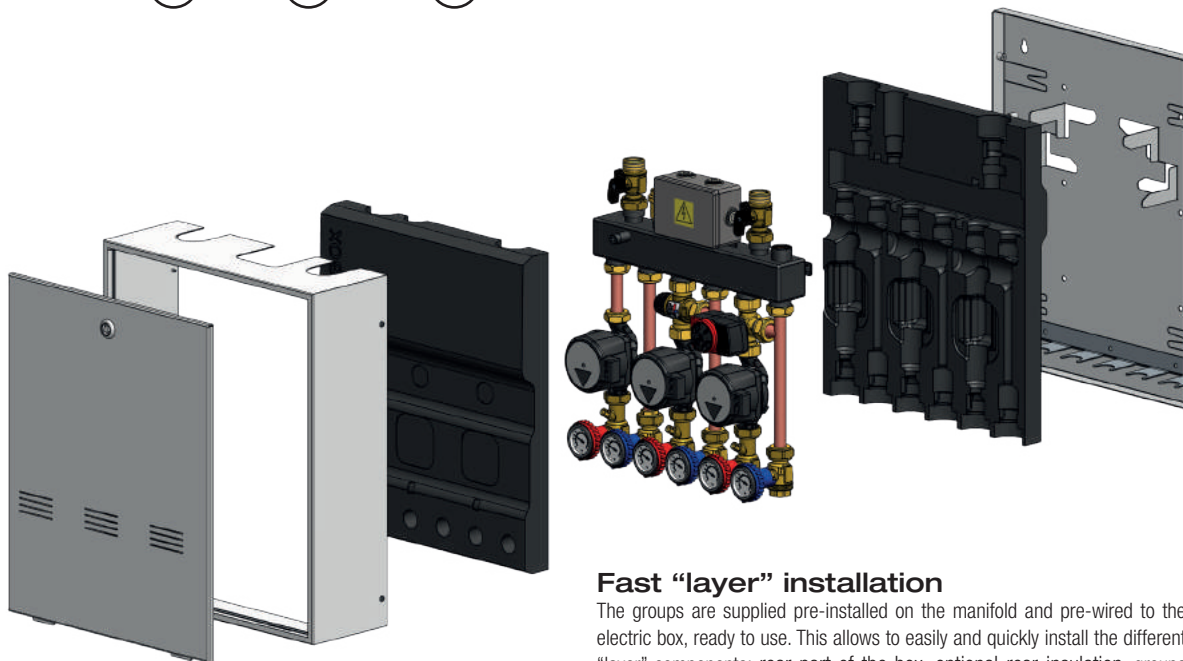


Components of the groups in box, 70G.DN20 series

- 1) Distribution manifold with hydraulic separator (can be disabled)
- 2) Ball shut-off valves
- 3) Pre-wired electric box
- 4) Automatic air vent
- 5) Direct distribution group 71G.DN20
- 6) Thermostatic regulating group 72G.DN20
- 7) Motorized regulating group 73G.DN20
- 8) Box

Advantages

- The hydraulic separator can be disabled
- Versions to regulate 2 or 3 heating circuits
- Test ports on the flow lines and manifold
- Pre-assembled
- Pre-wired
- 70 mm centre distance between the outlets
- Super compact dimensions
- Optional inner insulation



Fast "layer" installation

The groups are supplied pre-installed on the manifold and pre-wired to the electric box, ready to use. This allows to easily and quickly install the different "layer" components: rear part of the box, optional rear insulation, groups with manifold, optional front insulation, frame and cover.

ACCESSORIES



Insulation
43D.02

PUMPS



Para 15-130/7



UPM3 Auto 15-70 130

ACTUATORS



3 points, 230 V
M10.03P.3MM

70G.DN20

AVAILABLE 7/2023 **BOX** WALL DN20

Pre-assembled kit composed of box, distribution manifold with hydraulic separator (can be disabled), pre-wired electric box, 2 or 3 DN 20 groups to choose among: direct distribution group 71G.DN20, thermostatic regulating group 72G.DN20, 3 point motorized regulating group 73G.DN20. Optional insulation 43D.02.

Technical data: **see groups 71G.DN20, 72G.DN20, 73G.DN20**

Max flow rate: **3 m³/h**

Max working temperature: **90 °C**

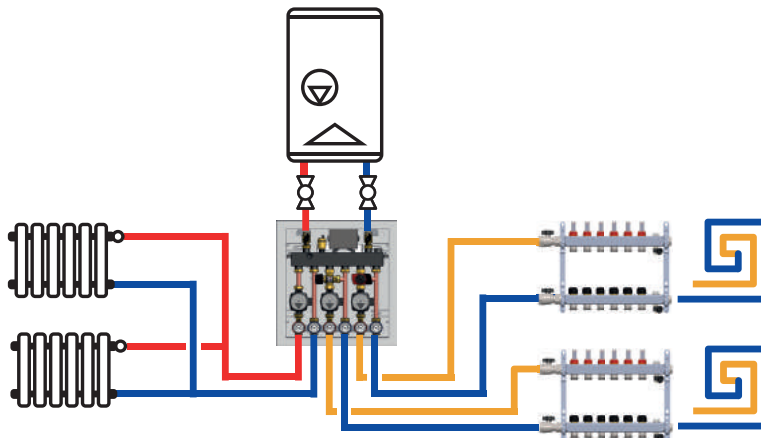
Max working pressure: **4 bar**

Connection centre distance: **70 mm**

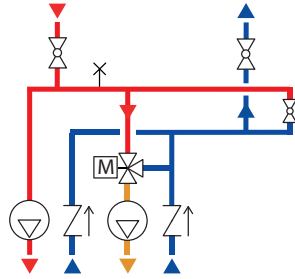
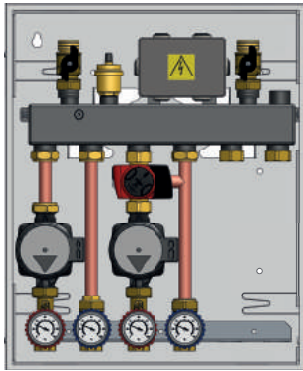


Code	Size	Components	Pump	Pump code	Box	€
70G 130 00L NEW	G 1 M - G 3/4 F	71G+73G	GRUNDFOS UPM3 AUTO 15-70 130	25AK.DN25	1	-
70G 130 00P NEW	G 1 M - G 3/4 F	71G+73G	wilo Para 15-130/7-50/SC-9	29A.25	1	-
70G 110 00L NEW	G 1 M - G 3/4 F	71G+71G	GRUNDFOS UPM3 AUTO 15-70 130	25AK.DN25	1	-
70G 110 00P NEW	G 1 M - G 3/4 F	71G+71G	wilo Para 15-130/7-50/SC-9	29A.25	1	-
70G 120 00L NEW	G 1 M - G 3/4 F	71G+72G	GRUNDFOS UPM3 AUTO 15-70 130	25AK.DN25	1	-
70G 120 00P NEW	G 1 M - G 3/4 F	71G+72G	wilo Para 15-130/7-50/SC-9	29A.25	1	-
70G 330 00L NEW	G 1 M - G 3/4 F	73G+73G	GRUNDFOS UPM3 AUTO 15-70 130	25AK.DN25	1	-
70G 330 00P NEW	G 1 M - G 3/4 F	73G+73G	wilo Para 15-130/7-50/SC-9	29A.25	1	-
70G 133 00L NEW	G 1 M - G 3/4 F	71G+73G+73G	GRUNDFOS UPM3 AUTO 15-70 130	25AK.DN25	1	-
70G 133 00P NEW	G 1 M - G 3/4 F	71G+73G+73G	wilo Para 15-130/7-50/SC-9	29A.25	1	-
70G 220 00L NEW	G 1 M - G 3/4 F	72G+72G	GRUNDFOS UPM3 AUTO 15-70 130	25AK.DN25	1	-
70G 220 00P NEW	G 1 M - G 3/4 F	72G+72G	wilo Para 15-130/7-50/SC-9	29A.25	1	-
70G 123 00L NEW	G 1 M - G 3/4 F	71G+72G+73G	GRUNDFOS UPM3 AUTO 15-70 130	25AK.DN25	1	-
70G 123 00P NEW	G 1 M - G 3/4 F	71G+72G+73G	wilo Para 15-130/7-50/SC-9	29A.25	1	-
70G 122 00L NEW	G 1 M - G 3/4 F	71G+72G+72G	GRUNDFOS UPM3 AUTO 15-70 130	25AK.DN25	1	-
70G 122 00P NEW	G 1 M - G 3/4 F	71G+72G+72G	wilo Para 15-130/7-50/SC-9	29A.25	1	-

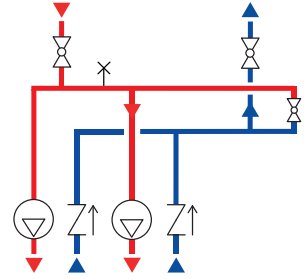
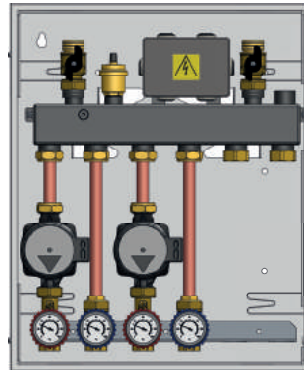
70G.DN20 groups in box coupled to radiators and radiant panels



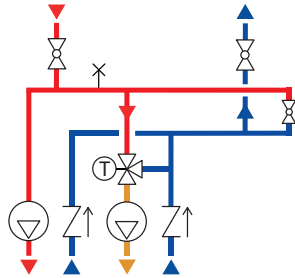
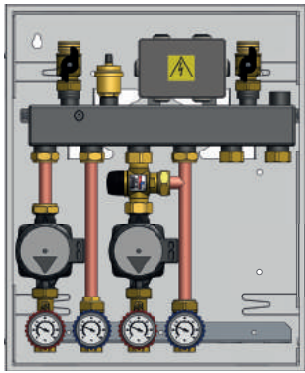
Versions of 70G.DN20 groups



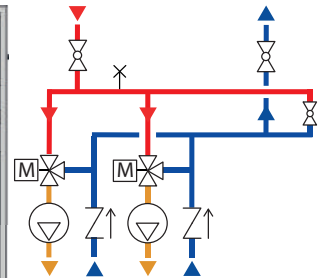
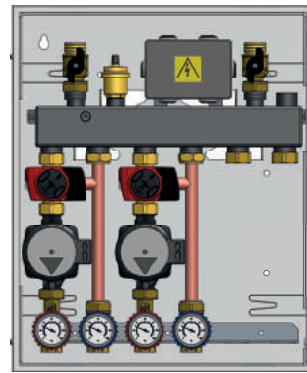
70G 130 00L
70G 130 00P



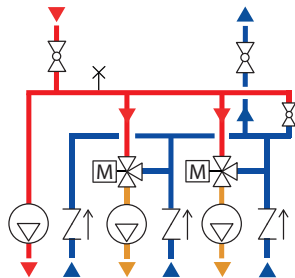
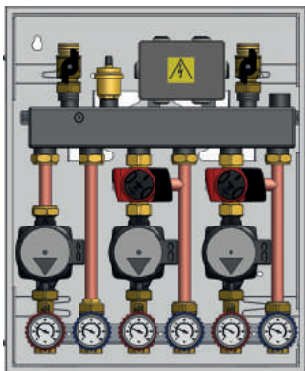
70G 110 00L
70G 110 00P



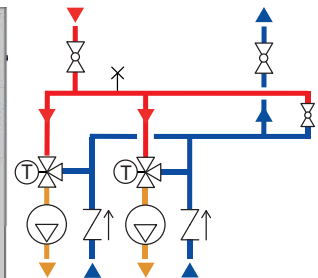
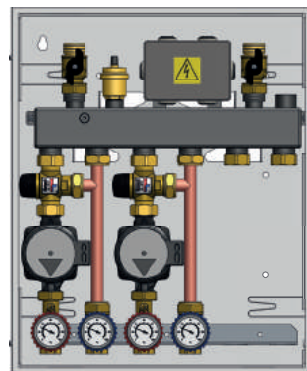
70G 120 00L
70G 120 00P



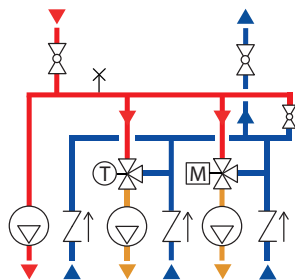
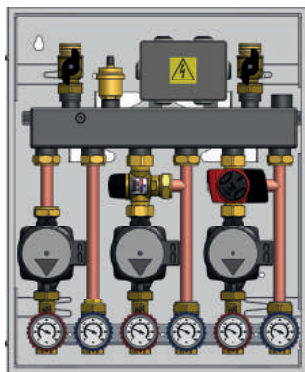
70G 330 00L
70G 330 00P



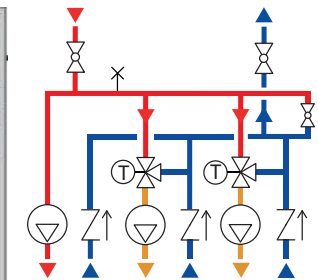
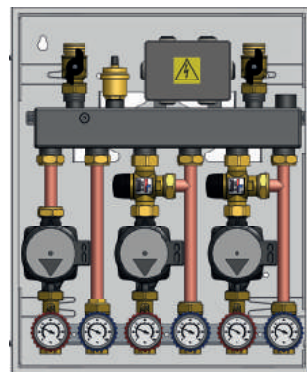
70G 133 00L
70G 133 00P



70G 220 00L
70G 220 00P



70G 123 00L
70G 123 00P



70G 122 00L
70G 122 00P

71G.DN20

AVAILABLE 7/2023 **WALL BOX DN20**

Direct distribution group - DN 20 - without connections for by-pass. Complete with cables.

Max working temperature: **90 °C**

Max working pressure: **10 bar**

Connection centre distance: **70 mm**

Code	Size	Pump	Pump code	Box	€
71G 020 00L <i>NEW</i>	G 1 RN - G 3/4 F	GRUNDFOS UPM3 AUTO 15-70 130	25AK.DN20	1	-
71G 020 00P <i>NEW</i>	G 1 RN - G 3/4 F	wilo Para 15-130/7-50/SC-9	29A.025	1	-



72G.DN20

AVAILABLE 7/2023 **WALL BOX DN20**

Regulating group with thermostatic mixing valve - DN 20 - without connections for by-pass. Complete with cables.

Max working temperature: **90 °C**

Max working pressure: **10 bar**

Connection centre distance: **70 mm**

Flow coefficient Kv of the mixing valve only

Code	Size	Kv	Pump	Pump code	°C	Box	€
72G 020 00L <i>NEW</i>	G 1 RN - G 3/4 F	3,5	GRUNDFOS UPM3 AUTO 15-70 130	25AK.DN20	20-55	1	-
72G 020 00P <i>NEW</i>	G 1 RN - G 3/4 F	3,5	wilo Para 15-130/7-50/SC-9	29A.025	20-55	1	-



73G.DN20

AVAILABLE 7/2023 **WALL BOX DN20**

Regulating group with 3-way mixing valve fitted to be actuated - DN 20 - 3 point actuator - without connections for by-pass. Complete with cables.

Max working temperature: **90 °C**

Max working pressure: **10 bar**

Connection centre distance: **70 mm**

Supply: **230 V**

Running time: **120 s**

Nr. poles: **3**

Protection class: **IP 40**

Frequency: **50-60 Hz**

Power consumption: **4,5 VA**

Flow coefficient Kv of the mixing valve only

Code	Size	Kv	Pump	Pump code	Box	€
73G 020 00L <i>NEW</i>	G 1 RN - G 3/4 F	6	GRUNDFOS UPM3 AUTO 15-70 130	25AK.DN20	1	-
73G 020 00P <i>NEW</i>	G 1 RN - G 3/4 F	6	wilo Para 15-130/7-50/SC-9	29A.025	1	-



70G.00

AVAILABLE 7/2023 **WALL BOX DN20**

Pre-assembled kit composed of box, distribution manifold with hydraulic separator (can be disabled). Pre-wired electric box to connect 3 pumps and 2 actuators (3 point type) M10.03P.3MM.

Max flow rate: **3 m³/h**

Max working temperature: **90 °C**

Max working pressure: **4 bar**

Connection centre distance: **70 mm**

Code	Size	Cable for pump	Box	€
70G 000 00L <i>NEW</i>	G 1 M - G 1 M	Grundfos UPM3	1	-
70G 000 00P <i>NEW</i>	G 1 M - G 1 M	Wilo Para	1	-



99B.08



Pre-wired electric box to connect 3 pumps and 2 actuators (3 point type) M10.03P.3MM.



Code		Cable for pump		€
99B 000 008 0	NEW	Grundfos UPM3	1	-
99B 000 008 1	NEW	Wilo Para	1	-

43D.02



Optional inner insulation for groups in box 70G.DN20.

Material: **EPP**



Code			€
43D 020 000 2	NEW	1	-

M10.03P.3MM



Spare 3 point actuator for motorized group 73G.DN20. With rapid assembling on the valve, manual knob and cable.



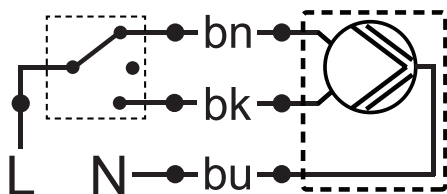
Protection class: **IP 40**

Frequency: **50-60 Hz**

Power consumption: **4,5 VA**

Code	V	Running time [s]	Nr. poles	Cable connection			€
M10 03P 016 001	230	120	3	Rapid	1	10	-

Wiring diagram M10, 3 points



14D.18



Spare cable for M10.03P.3MM actuator with plug connector - 3 poles



Max working temperature: **105 °C**

Pole cross-section: **3 x 0,75 mm²**

Max electrical resistance (20 °C): **26 Ω/km**

Code		Nr. poles			€
14D 050 018	NEW	3	-	-	-

25AK.DN20

Spare pump Grundfos UPM3 AUTO 15-70 130 with high efficiency (EEI<0,20). Complete with 3 pole cable.

Max head: **7 m w.g.**

Max working temperature: **100 °C**

Max working pressure: **10 bar**

Centre distance: **130 mm**



Code	Size	Nr. poles	Cable [m]	€
25A 025 070 BK	G 1 M	3	1	-

14D.2

3 pole cable with 90° rapid connector for UPM3 AUTO, UPM3 AUTO L and UPM3 solar pumps



Code	Nr. poles	Cable [m]	€
14D 100 002	3	1	-

29A.25

Spare pump Wilo Para with high efficiency (EEI<0,20). With 1 m cable

Max head: **7,7 m w.g.**

Max working temperature: **100 °C**

Max working pressure: **10 bar**

Centre distance: **130 mm**



Code	Size	Pump	Cable [m]	€
29A 025 070 BK	G 1 M	Para 15-130/7-50/SC-9	1	-

14D.5

3 pole cable with 90° rapid connector for Wilo Para



Code	Nr. poles	Cable [m]	€
14D 100 005	3	1	-

DN 20

EVERYTHING IN A
SMALL SPACE



COMPACT



MULTIFUNCTION



EVERYTHING
UNDER
CONTROL

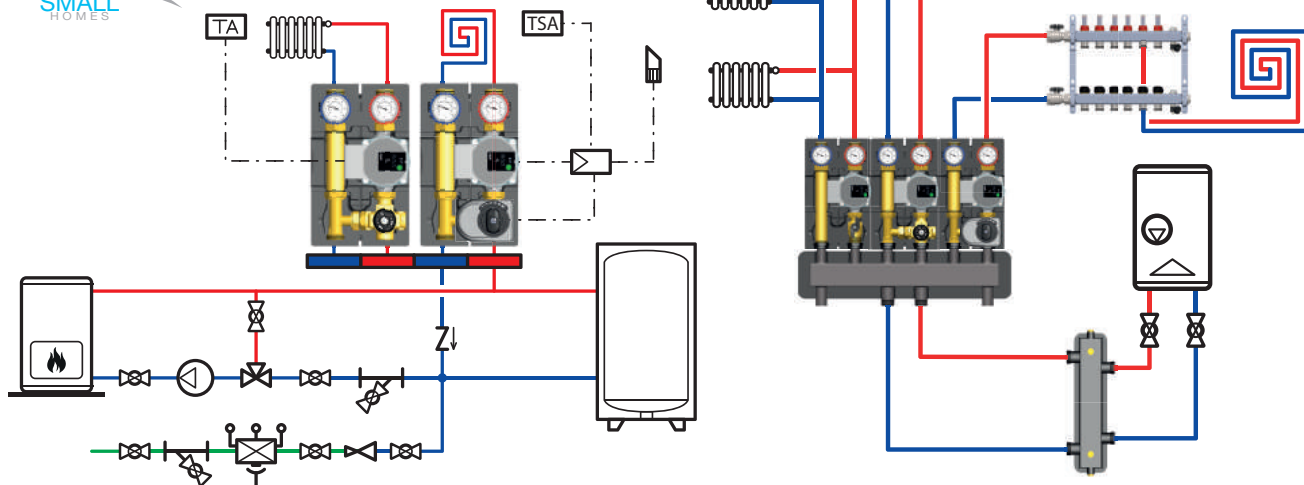


USER
FRIENDLY



NEW KIT KG2

NOW AVAILABLE IN ALL-IN-ONE KITS



DISTRIBUTION AND REGULATING GROUPS DN 20



Reversible without connections for by-pass
01G.DN20



Reversible without connections for by-pass
02G.DN20



Reversible without connections for by-pass motorized
07G.04.DN20



Reversible without connections for by-pass
07G.DN20

MANIFOLDS



Only UP
3 m³/h
2 and 3 outlets
P72.DN20



With integrated hydraulic separator
3 m³/h
2 and 3 outlets
P74.DN20

ACCESSORIES



Bracket for wall mounting:
42D.DN20

PUMPS



Para 15-130/7



UPM3 Auto 15-70 130



UPS0 15-65 130 (Extra EU)

ACTUATORS



3 points, 230 V
M03.3



0(2)-10 V, 24 V
M04



Fixed point with display, 230 V
P27T2

61G.DN20



Kit composed of distribution manifold with integrated hydraulic separator and two direct distribution groups. Invertible - DN 20 - without connections for by-pass. Male and female thread on system side connections. Complete with brackets and insulation.

Max working temperature: **90 °C**

Max working pressure: **4 bar**

Connection centre distance: **90 mm**

Code	Size	Pump	Pump code	m³/h		€
61G 020 10P	G 1 M - (G 1 M+G 3/4 F)	wilo Para 15-130/7-50/SC-9	29A.025	3	1	-
61G 020 10X	G 1 M - (G 1 M+G 3/4 F)	WITHOUT PUMP	-	3	1	-



63G.DN20



Kit composed of distribution manifold with integrated hydraulic separator, direct distribution group and thermostatic regulating group. Invertible - DN 20 - without connections for by-pass. Male and female thread on system side connections. Complete with brackets and insulation.

Max working temperature: **90 °C**

Max working pressure: **4 bar**

Connection centre distance: **90 mm**

Flow coefficient Kv of the mixing valve only

Code	Size	Kv	Pump	Pump code	m³/h	°C		€
63G 020 10P	G 1 M - (G 1 M+G 3/4 F)	-/3,5	wilo Para 15-130/7-50/SC-9	29A.025	3	30-60	1	-
63G 020 10X	G 1 M - (G 1 M+G 3/4 F)	-/3,5	WITHOUT PUMP	-	3	30-60	1	-



64G.4.DN20



Kit composed of distribution manifold with integrated hydraulic separator, direct distribution group, regulating group with 3-way mixing valve fitted to be actuated and 3 point actuator. Invertible - DN 20 - without connections for by-pass. Male and female thread on system side connections. Complete with brackets and insulation.

Max working temperature: **90 °C**

Max working pressure: **4 bar**

Connection centre distance: **90 mm**

Supply: **230 V**

Running time: **120 s**

Nr. poles: **3**

Torque: **10 N·m**

Protection class: **IP 44**

Frequency: **50 Hz**

Power consumption: **4 VA**

Flow coefficient Kv of the mixing valve only

Code	Size	Kv	Pump	Pump code	m³/h		€
64G 020 14P	G 1 M - (G 1 M+G 3/4 F)	-/4	wilo Para 15-130/7-50/SC-9	29A.025	3	1	-
64G 020 14X	G 1 M - (G 1 M+G 3/4 F)	-/4	WITHOUT PUMP	-	3	1	-



62G.DN20



Kit composed of distribution manifold with integrated hydraulic separator and two regulating groups with thermostatic mixing valve. Invertible - DN 20 - without connections for by-pass. Male and female thread on system side connections. Complete with brackets and insulation.

Max working temperature: **90 °C**

Max working pressure: **4 bar**

Connection centre distance: **90 mm**

Flow coefficient Kv of the mixing valve only

Code	Size	Kv	Pump	Pump code	m ³ /h	°C		€
62G 020 10P	G 1 M - (G 1 M+G 3/4 F)	3,5/3,5	wilo Para 15-130/7-50/SC-9	29A.025	3	30-60	1	-
62G 020 10X	G 1 M - (G 1 M+G 3/4 F)	3,5/3,5	WITHOUT PUMP	-	3	30-60	1	-



67G.4.DN20



Kit composed of distribution manifold with integrated hydraulic separator, two regulating groups with 3-way mixing valve fitted to be actuated and 3 point actuator. Invertible - DN 20 - without connections for by-pass. Male and female thread on system side connections. Complete with brackets and insulation.

Max working temperature: **90 °C**

Max working pressure: **4 bar**

Connection centre distance: **90 mm**

Supply: **230 V**

Running time: **120 s**

Nr. poles: **3**

Torque: **10 N-m**

Protection class: **IP 44**

Frequency: **50 Hz**

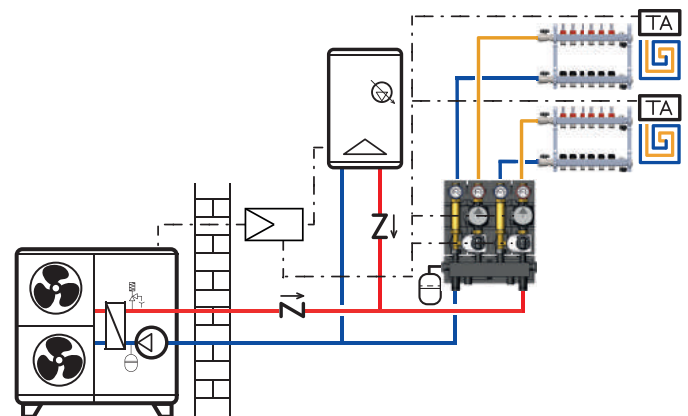
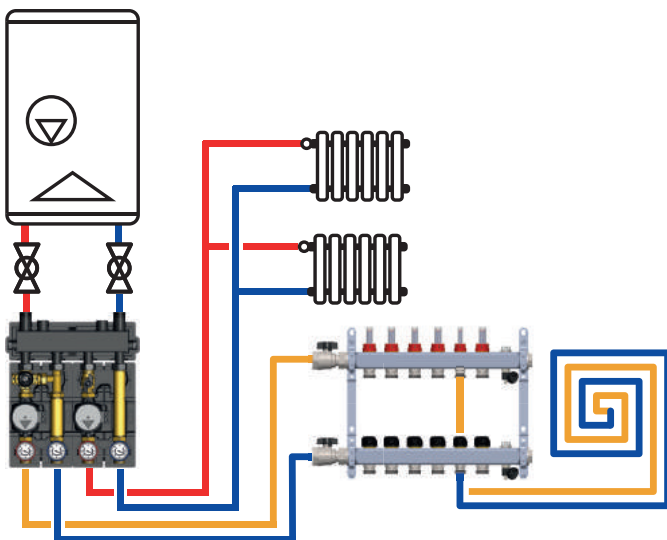
Power consumption: **4 VA**

Flow coefficient Kv of the mixing valve only

Code	Size	Kv	Pump	Pump code	m ³ /h		€
67G 020 14P	G 1 M - (G 1 M+G 3/4 F)	4/4	wilo Para 15-130/7-50/SC-9	29A.025	3	1	-
67G 020 14X	G 1 M - (G 1 M+G 3/4 F)	4/4	WITHOUT PUMP	-	3	1	-



KG2 kit with integrated hydraulic separator combined with boiler, radiators and radiant panels **KG2 kit with integrated hydraulic separator combined with heat pump, boiler and radiant panels**






01G.DN20

Direct distribution group - reversible - DN 20 - without connections for by-pass. Male and female thread on system side connections

Max working temperature: **90 °C**

Max working pressure: **10 bar**

Connection centre distance: **90 mm**

Code	Size	Pump	Pump code		€
01G 020 00P	G 1 M - (G 1 M+G 3/4 F)	wilo Para 15-130/7-50/SC-9	29A.025	1	-
01G 020 00L	G 1 M - (G 1 M+G 3/4 F)	GRUNDFOS UPM3 AUTO 15-70 130	25AK.DN20	1	-
01G 020 00F	G 1 M - (G 1 M+G 3/4 F)	GRUNDFOS (Extra EU) UPSO 15-65 130	01A.25	1	-
01G 020 00X 	G 1 M - (G 1 M+G 3/4 F)	 WITHOUT PUMP	-	1	-



02G.DN20





Regulating group with thermostatic mixing valve - reversible - DN 20 - without connections for by-pass. Male and female thread on system side connections

Max working temperature: **90 °C**

Max working pressure: **10 bar**

Connection centre distance: **90 mm**

Flow coefficient Kv of the mixing valve only

Code	Size	Kv	Pump	Pump code	°C		€
02G 020 00P	G 1 M - (G 1 M+G 3/4 F)	3,5	wilo Para 15-130/7-50/SC-9	29A.025	30-60	1	-
02G 020 00L	G 1 M - (G 1 M+G 3/4 F)	3,5	GRUNDFOS UPM3 AUTO 15-70 130	25AK.DN20	30-60	1	-
02G 020 00F	G 1 M - (G 1 M+G 3/4 F)	3,5	GRUNDFOS (Extra EU) UPSO 15-65 130	01A.25	30-60	1	-
02G 020 00X 	G 1 M - (G 1 M+G 3/4 F)	3,5	 WITHOUT PUMP	-	30-60	1	-
02G 020 00P E	G 1 M - (G 1 M+G 3/4 F)	3,5	wilo Para 15-130/7-50/SC-9	29A.025	25-50	1	-
02G 020 00L E	G 1 M - (G 1 M+G 3/4 F)	3,5	GRUNDFOS UPM3 AUTO 15-70 130	25AK.DN20	25-50	1	-
02G 020 00F E	G 1 M - (G 1 M+G 3/4 F)	3,5	GRUNDFOS (Extra EU) UPSO 15-65 130	01A.25	25-50	1	-
02G 020 00X E	G 1 M - (G 1 M+G 3/4 F)	3,5	 WITHOUT PUMP	-	25-50	1	-



07G.04.DN20

Regulating group with 3-way mixing valve fitted to be actuated - reversible - DN 20 - 3 point actuator - without connections for by-pass. Male and female thread on system side connections

Max working temperature: **90 °C**

Max working pressure: **10 bar**

Connection centre distance: **90 mm**

Supply: **230 V**

Running time: **120 s**

Nr. poles: **3**




Torque: **10 N·m**

Protection class: **IP 44**

Frequency: **50 Hz**

Power consumption: **4 VA**

Flow coefficient Kv of the mixing valve only

Code	Size	Kv	Pump	Pump code	Cable [m]		€
07G 020 04P	G 1 M - (G 1 M+G 3/4 F)	4	wilo Para 15-130/7-50/SC-9	29A.025	1,5	1	-
07G 020 04L	G 1 M - (G 1 M+G 3/4 F)	4	GRUNDFOS UPM3 AUTO 15-70 130	25AK.DN20	1,5	1	-
07G 020 04F	G 1 M - (G 1 M+G 3/4 F)	4	GRUNDFOS (Extra EU) UPSO 15-65 130	01A.25	1,5	1	-
07G 020 04X 	G 1 M - (G 1 M+G 3/4 F)	4	 WITHOUT PUMP	-	1,5	1	-



07G.DN20



Regulating group with 3-way mixing valve fitted to be actuated - reversible - DN 20 - without connections for by-pass. Male and female thread on system side connections

Max working temperature: **90 °C**

Max working pressure: **10 bar**

Connection centre distance: **90 mm**

Flow coefficient Kv of the mixing valve only

Code	Size	Kv	Pump	Pump code		€
07G 020 00P	G 1 M - (G 1 M+G 3/4 F)	4	wilo Para 15-130/7-50/SC-9	29A.025	1	-
07G 020 00L	G 1 M - (G 1 M+G 3/4 F)	4	GRUNDFOS UPM3 AUTO 15-70 130	25AK.DN20	1	-
07G 020 00F	G 1 M - (G 1 M+G 3/4 F)	4	GRUNDFOS (Extra EU) UPSO 15-65 130	01A.25	1	-
07G 020 00X	G 1 M - (G 1 M+G 3/4 F)	4	 WITHOUT PUMP	-	1	-



P72.DN20



Dual distribution manifold with thermal insulation - wall mounting brackets - complete with running nuts for distribution and regulating group connection

Max working temperature: **110 °C**

Max working pressure: **4 bar**

Connection centre distance: **90 mm**

Material: **steel**

Code	Size	m³/h	Nr. of zones		€
P72 025 002 	G 1 M - G 1 RN	3	2	1	-
P72 025 003	G 1 M - G 1 RN	3	3	1	-



P74.DN20


Distribution manifold with integrated hydraulic separator and thermal insulation - wall mounting brackets - complete with running nuts for distribution and regulating group connection

Max working temperature: **110 °C**

Max working pressure: **4 bar**

Connection centre distance: **90 mm**

Material: **steel**

Code	Size	m³/h	Nr. of zones		€
P74 025 002	G 1 M - G 1 RN	3	2	1	-
P74 025 003	G 1 M - G 1 RN	3	3	1	-



42D.DN20

Bracket for wall mounting of the distribution and regulating groups, with screws and anchors

Hole centre distance: **45 mm**

Hole diameter: **8 mm**

Code			€
42D 020 Z00 I	1	25	-



M03.3

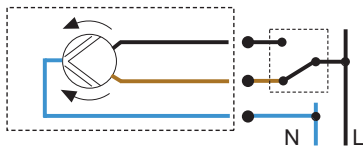
Actuator for mixing valves, rotation angle 90°, 3 point regulation. Complete with blocking screw, valve adaptor, anti-rotation pin, 1,5 m integrated cable, auxiliary microswitch (only in 6 pole version)

Torque: **10 N·m**
 Protection class: **IP 44**
 Frequency: **50 Hz**
 Power consumption: **4 VA**
 Aux. microswitch contact rating: **6 (1) A**



Code	V	Running time [s]	Nr. poles	Cable [m]			€
M03 010 1DA B	230	120	3	1,5	1	16	-

Wiring diagram M03.3, 3 poles



M04

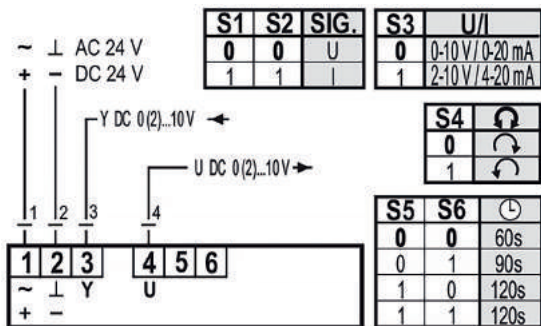
Actuator for mixing valves, rotation angle 90°, proportional regulation 0 (2)-10 V. Complete with blocking screw, valve adaptor, anti-rotation pin, 1,95 m integrated cable

Torque: **5 N·m**
 Feedback: **0-10 V/4-20 mA**
 Protection class: **IP 42**
 Frequency: **50 Hz**
 Power consumption: **4 VA**



Code	V	Running time [s]	Nr. poles	Cable [m]			€
M04 010 3MA B	24	60 - 90 - 120	4	1,95	1	10	-

Wiring diagram M04 0(2)-10 V



P27T2

Actuator for mixing valves, rotation angle 90°, for 3 point regulation with integrated probe and temperature regulator. Temperature adjustment range 5-95 °C. Complete with blocking screw, mixing valve adaptor, anti-rotation pin, Pt 1000 probe (1,6 m cable), contact probe holder, integrated Shuko electrical plug (1,9 m cable).

Temperature adjustment range: **5-95 °C**
 Torque: **6 N·m**
 Protection class: **IP 42**
 Frequency: **50 Hz**
 Power consumption: **1,5 VA**



Code	V	Running time [s]	Nr. poles	Cable [m]			€
P27 230 010 T2	230	120	2	1,9	1	4	-

M03.K

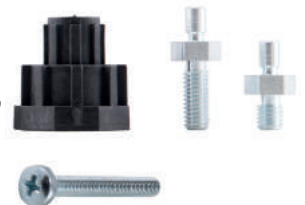
Spare part kit for M03.4, M03.3 and M03.2 actuators. Complete with knob, indicator, blocking screw, mixing valve adaptor, anti-rotation pin.



Code			€
M03 000 000 K	1	-	-

M04.K

Spare part kit for P27T2 and M04 actuators. Complete with blocking screw, mixing valve adaptor, anti-rotation pin.



Code			€
M04 000 000 K	1	-	-

14D.10

Spare probe Pt 1000 for P27T2 actuator.

Working temperature range: **-25-150 °C**



Code	Size	Cable [m]			€
14D 100 010	4 mm	1	1	-	-

52D.DN20

Kit composed by thermostatic mixing valve, pump connection and T-joint on the return

Flow coefficient: **Kv 3,5**

Connection centre distance: **90 mm**

Max working temperature: **90 °C**

Max working pressure: **10 bar**



Code	Size	°C			€
52D 025 0T1	G 1 M - G 1 RN	25-50	1	8	-
52D 025 0T2	G 1 M - G 1 RN	30-60	1	8	-

51D.DN20

Kit composed of mixing valve with by-pass, pump connection and T-joint on the return

Connection centre distance: **90 mm**

Max working temperature: **110 °C**

Max working pressure: **10 bar**



Code	Size	Kv			€
51D 025 0B0	G 1 M - G 1 RN	4	1	8	-

630.4

4-way thermostatic mixing valve with 90° inlets - pump and manifold connection - Kv 3,5 - range 30-60 °C

Flow coefficient: **Kv 3,5**

Temperature adjustment range: **30-60 °C**

Max working temperature: **90 °C**

Max working pressure: **10 bar**



Kv
3,5

Code	Size			€
630 A20 000 4	G 1 M - G 1 RN - G 3/4 M	1	6	-

630.104

4-way thermostatic mixing valve with 90° inlets - pump and manifold connection - Kv 3,5 - range 25-50 °C

Flow coefficient: **Kv 3,5**

Temperature adjustment range: **25-50 °C**

Max working temperature: **90 °C**

Max working pressure: **10 bar**



Kv
3,5

Code	Size			€
630 A20 010 4	G 1 M - G 1 RN - G 3/4 M	1	6	-

41D

3-way mixing valve with by-pass fitted to be actuated - pump connection - distribution manifold connection

Max working temperature: **110 °C**

Max working pressure: **10 bar**



Code	Size	Kv			€
41D 025 000 B	G 1 M - G 3/4 M - G 1 RN	4	1	10	-

40D.DN20

Extension with flat seat, connection distance 210 mm

Max working temperature: **140 °C**

Max working pressure: **10 bar**



Code	Size			€
40D 025 000	G 1 M - 210 mm	-	16	-

40D.1.DN20

Extension with flat seat, connection distance 130 mm

Max working temperature: **140 °C**

Max working pressure: **10 bar**



Code	Size			€
40D 025 001	G 1 M - 130 mm	-	16	-

53D.S.DN20

Pair of spare brackets for wall mounting of the distribution manifold P72.DN20 and manifold-separator P74.DN20.

Hole centre distance: **70 mm**

Hole diameter: **11 mm**



Code	Size			€
53D 020 00S 1	for P72.DN20 and P74.DN20	1	-	-



NUMBER OF PIECES IN BOX



NUMBER OF PIECES IN CARTON



ARTICLE THE BEST SELLER



NEW ARTICLE



38D.DN20.1

Monobloc with pump connection (ball shut-off valve + temperature gauge) - temperature gauge 0-120 °C - DN 20

Max working temperature: **95 °C**
Max working pressure: **10 bar**



Code	Size	Knob colour			€
38D 020 000 1	G 1 RN - (G 1 M+G 3/4 F)	red	-	16	-

37D.DN20.1

Monobloc with pump connection (ball shut-off valve + temperature gauge + check valve + check valve override) - temperature gauge 0-120 °C - DN 20

Max working temperature: **95 °C**
Max working pressure: **10 bar**



Code	Size	Knob colour			€
37D 020 000 1	(G 1 M+G 3/4 F) - G 1 RN	blue	-	16	-

39D.DN20

Ball shut-off valve with pump connection - male connection

Max working temperature: **95 °C**
Max working pressure: **10 bar**



Code	Size	Knob colour			€
39D 020 000 1	G 1 RN - G 1 M	black	-	25	-

43D.DN20

Distribution and regulating group insulation

Material: **EPP**



Code	Size		€
43D 020 000	for 01G.DN20-02G.DN20	1	-
43D 020 000 1	for 07G.04.DN20-07G.DN20	1	-

29A.25

Spare pump Wilo Para with high efficiency (EEI<0,20). With 1 m cable

Max head: **7,7 m w.g.**
Max working temperature: **100 °C**
Max working pressure: **10 bar**
Centre distance: **130 mm**



Code	Size	Pump	Cable [m]	€
29A 025 070 BK	G 1 M	Para 15-130/7-50/SC-9	1	-

14D.5

3 pole cable with 90° rapid connector for Wilo Para



Code	Nr. poles	Cable [m]	€
14D 100 005	3	1	-

25AK.DN20

Spare pump Grundfos UPM3 AUTO 15-70 130 with high efficiency (EEI<0,20). Complete with 3 pole cable.

Max head: **7 m w.g.**
Max working temperature: **100 °C**
Max working pressure: **10 bar**
Centre distance: **130 mm**



Code	Size	Nr. poles	Cable [m]	€
25A 025 070 BK	G 1 M	3	1	-

14D.2

3 pole cable with 90° rapid connector for UPM3 AUTO, UPM3 AUTO L and UPM3 solar pumps



Code	Nr. poles	Cable [m]	€
14D 100 002	3	1	-

01A.25

Spare pump Grundfos UPSO 15-65 130 with 3 constant speeds (Extra EU)

Max head: **6,5 m w.g.**
Max working temperature: **110 °C**
Max working pressure: **10 bar**
Centre distance: **130 mm**



Code	Size	€
01A 025 065 B	G 1 M	-

ACCESSORIES



Bracket for wall mounting:
42D.DN25
42D.DN32



Ball shut-off valve:
39D, G 1 1/2 RN - G 1 1/2 M
50D.M50, G 2 RN - G 2 M



Optional versions of groups with tailpieces.
Tailpieces sold separately also:
44D.DN25
44D.DN32

DN 25



DN 32



MANIFOLDS



Only UP
3 m³/h
2, 3, 4, 5, 6
outlets
P72.DN25

Only UP
6,5 m³/h
2, 3 outlets
P72.DN32



UP/DOWN
3 m³/h
3, 5, 7 outlets
V34.DN25



With integrated hydraulic separator
3 m³/h
2 and 3 outlets
P74

DIRECT DISTRIBUTION GROUPS



THERMOSTATIC REGULATING GROUPS



MOTORIZED REGULATING GROUPS



HYDRAULIC SEPARATORS



3 and 4,5 m³/h
P73.DN25
8 m³/h
P73.DN32

4 m³/h
22M.01

3 m³/h
21M.01

ANTI-CONDENSATION GROUPS



V35

ACTUATORS



3 points, 230 V
M03.3



0(2)-10 V, 24 V
M04



Fixed point with display, 230 V
P27T2

PUMPS



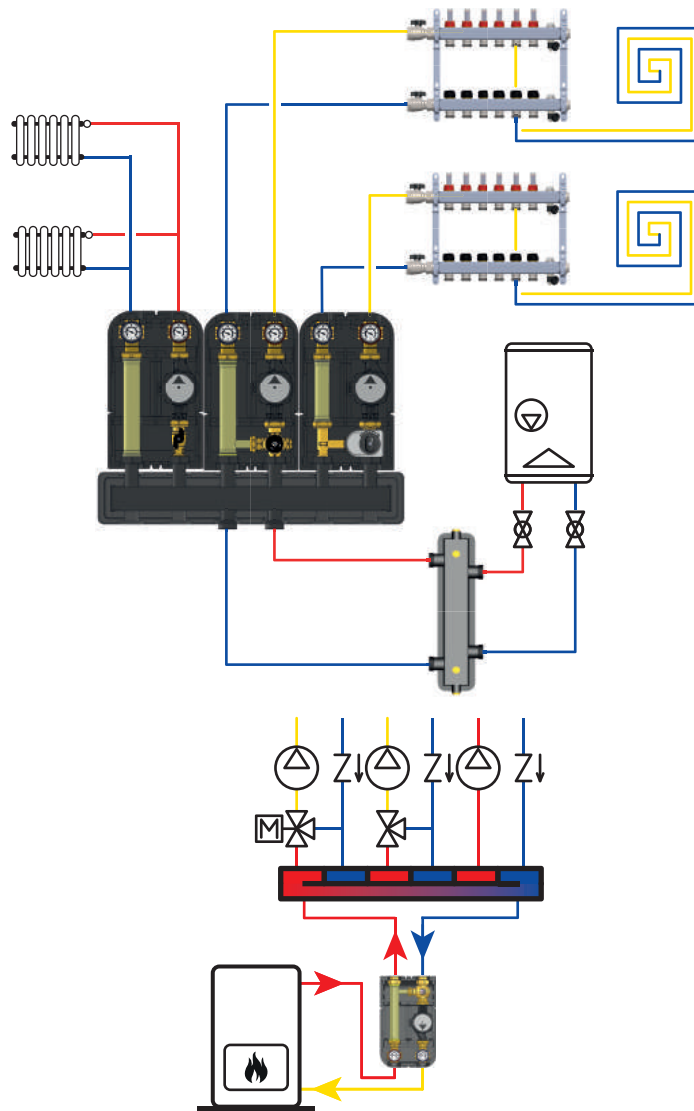
UPM3 Auto 25-70 180
UPM3 Auto 32-70 180

Para 25-180/7

UPML Auto 25-105 180
UPML Auto 32-105 180

UPSO 25-65 180 (Extra EU)
UPSO 32-65 180 (Extra EU)

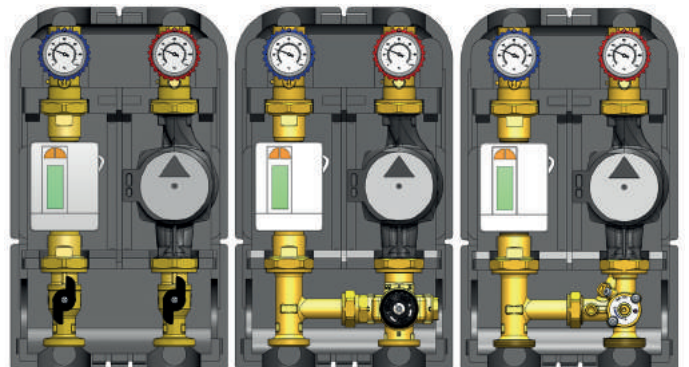
Application diagram with distribution, regulating and anti-condensation groups, hydraulic separator and manifolds



40D.C: fitting for 110 and 130 mm energy metering devices



Energy metering device on groups 23G.DN25, 24G.DN25 and 25G.DN25



Groups 23G.DN25, 24G.DN25 and 25G.DN25 are suitable for 110 or 130 mm energy metering devices and are equipped with immersion probe pocket on the flow monobloc (red knob).


01G.DN25

Direct distribution group - reversible - DN 25 - with connections for by-pass (616)

Max working temperature: **90 °C**

Max working pressure: **10 bar**

Connection centre distance: **125 mm**

Code	Size	Pump	Pump code		€
01G 025 00U	G 1 1/2 M - G 1 F	GRUNDFOS UPM3 AUTO 25-70 180	20AK.DN25	1	-
01G 025 00H	G 1 1/2 M - G 1 F	wilo Para 25-180/7-50/SC-12	30A	1	-
01G 025 00K	G 1 1/2 M - G 1 F	GRUNDFOS UPML AUTO 25-105 180	28AK.DN25	1	-
01G 025 00C	G 1 1/2 M - G 1 F	GRUNDFOS (Extra EU) UPSO 25-65 180	05A.DN25	1	-
01G 025 00X	G 1 1/2 M - G 1 F	WITHOUT PUMP	-	1	-



31G.DN25

Direct distribution group - reversible - DN 25 - without connections for by-pass

Max working temperature: **90 °C**

Max working pressure: **10 bar**

Connection centre distance: **125 mm**

Code	Size	Pump	Pump code		€
31G 025 00U	G 1 1/2 M - G 1 F	GRUNDFOS UPM3 AUTO 25-70 180	20AK.DN25	1	-
31G 025 00H	G 1 1/2 M - G 1 F	wilo Para 25-180/7-50/SC-12	30A	1	-
31G 025 00K	G 1 1/2 M - G 1 F	GRUNDFOS UPML AUTO 25-105 180	28AK.DN25	1	-
31G 025 00C	G 1 1/2 M - G 1 F	GRUNDFOS (Extra EU) UPSO 25-65 180	05A.DN25	1	-
31G 025 00X 	G 1 1/2 M - G 1 F	WITHOUT PUMP	-	1	-




23G.DN25

Direct distribution group - reversible - DN 25 - fitted for energy meter (G 3/4 110 mm, G 1 130 mm) - without connections for by-pass

Max working temperature: **90 °C**

Max working pressure: **10 bar**

Connection centre distance: **125 mm**

Code	Size	Pump	Pump code		€
23G 025 00U	G 1 1/2 M - G 1 F	GRUNDFOS UPM3 AUTO 25-70 180	20AK.DN25	1	-
23G 025 00H	G 1 1/2 M - G 1 F	wilo Para 25-180/7-50/SC-12	30A	1	-
23G 025 00K	G 1 1/2 M - G 1 F	GRUNDFOS UPML AUTO 25-105 180	28AK.DN25	1	-
23G 025 00C	G 1 1/2 M - G 1 F	GRUNDFOS (Extra EU) UPSO 25-65 180	05A.DN25	1	-
23G 025 00X	G 1 1/2 M - G 1 F	WITHOUT PUMP	-	1	-



02G.DN25


Regulating group with thermostatic mixing valve - reversible - DN 25 - with connections for by-pass (616)

Max working temperature: **90 °C**

Max working pressure: **10 bar**

Connection centre distance: **125 mm**

Flow coefficient Kv of the mixing valve only

Code	Size	Kv	Pump	Pump code	°C		€
02G 025 00U	G 1 1/2 M - G 1 F	3,5	GRUNDFOS UPM3 AUTO 25-70 180	20AK.DN25	30-60	1	-
02G 025 00H	G 1 1/2 M - G 1 F	3,5	wilo Para 25-180/7-50/SC-12	30A	30-60	1	-
02G 025 00K	G 1 1/2 M - G 1 F	3,5	GRUNDFOS UPML AUTO 25-105 180	28AK.DN25	30-60	1	-
02G 025 00C	G 1 1/2 M - G 1 F	3,5	GRUNDFOS (Extra EU) UPSO 25-65 180	05A.DN25	30-60	1	-
02G 025 00X	G 1 1/2 M - G 1 F	3,5	WITHOUT PUMP	-	30-60	1	-
02G 025 00U E	G 1 1/2 M - G 1 F	3,5	GRUNDFOS UPM3 AUTO 25-70 180	20AK.DN25	25-50	1	-
02G 025 00H E	G 1 1/2 M - G 1 F	3,5	wilo Para 25-180/7-50/SC-12	30A	25-50	1	-
02G 025 00K E	G 1 1/2 M - G 1 F	3,5	GRUNDFOS UPML AUTO 25-105 180	28AK.DN25	25-50	1	-
02G 025 00C E	G 1 1/2 M - G 1 F	3,5	GRUNDFOS (Extra EU) UPSO 25-65 180	05A.DN25	25-50	1	-
02G 025 00X E	G 1 1/2 M - G 1 F	3,5	WITHOUT PUMP	-	25-50	1	-



32G.DN25



Regulating group with thermostatic mixing valve - reversible - DN 25 - without connections for by-pass

Max working temperature: **90 °C**

Max working pressure: **10 bar**

Connection centre distance: **125 mm**

Flow coefficient Kv of the mixing valve only

Code	Size	Kv	Pump	Pump code	°C		€
32G 025 00U	G 1 1/2 M - G 1 F	3,5	GRUNDFOS UPM3 AUTO 25-70 180	20AK.DN25	30-60	1	-
32G 025 00H	G 1 1/2 M - G 1 F	3,5	wilo Para 25-180/7-50/SC-12	30A	30-60	1	-
32G 025 00K	G 1 1/2 M - G 1 F	3,5	GRUNDFOS UPML AUTO 25-105 180	28AK.DN25	30-60	1	-
32G 025 00C	G 1 1/2 M - G 1 F	3,5	GRUNDFOS (Extra EU) UPSO 25-65 180	05A.DN25	30-60	1	-
32G 025 00X 	G 1 1/2 M - G 1 F	3,5	WITHOUT PUMP	-	30-60	1	-
32G 025 00U E	G 1 1/2 M - G 1 F	3,5	GRUNDFOS UPM3 AUTO 25-70 180	20AK.DN25	25-50	1	-
32G 025 00H E	G 1 1/2 M - G 1 F	3,5	wilo Para 25-180/7-50/SC-12	30A	25-50	1	-
32G 025 00K E	G 1 1/2 M - G 1 F	3,5	GRUNDFOS UPML AUTO 25-105 180	28AK.DN25	25-50	1	-
32G 025 00C E	G 1 1/2 M - G 1 F	3,5	GRUNDFOS (Extra EU) UPSO 25-65 180	05A.DN25	25-50	1	-
32G 025 00X E	G 1 1/2 M - G 1 F	3,5	WITHOUT PUMP	-	25-50	1	-



24G.DN25

Regulating group with thermostatic mixing valve - reversible - DN 25 - fitted for energy meter (G 3/4 110 mm, G 1 130 mm) - without connections for by-pass




Max working temperature: **90 °C**

Max working pressure: **10 bar**

Connection centre distance: **125 mm**

Flow coefficient Kv of the mixing valve only



Code	Size	Kv	Pump	Pump code	°C		€
24G 025 00U	G 1 1/2 M - G 1 F	3,5	GRUNDFOS UPM3 AUTO 25-70 180	20AK.DN25	30-60	1	-
24G 025 00H	G 1 1/2 M - G 1 F	3,5	wilo Para 25-180/7-50/SC-12	30A	30-60	1	-
24G 025 00K	G 1 1/2 M - G 1 F	3,5	GRUNDFOS UPML AUTO 25-105 180	28AK.DN25	30-60	1	-
24G 025 00C	G 1 1/2 M - G 1 F	3,5	GRUNDFOS (Extra EU) UPSO 25-65 180	05A.DN25	30-60	1	-
24G 025 00X	G 1 1/2 M - G 1 F	3,5	 WITHOUT PUMP	-	30-60	1	-
24G 025 00U E	G 1 1/2 M - G 1 F	3,5	GRUNDFOS UPM3 AUTO 25-70 180	20AK.DN25	25-50	1	-
24G 025 00H E	G 1 1/2 M - G 1 F	3,5	wilo Para 25-180/7-50/SC-12	30A	25-50	1	-
24G 025 00K E	G 1 1/2 M - G 1 F	3,5	GRUNDFOS UPML AUTO 25-105 180	28AK.DN25	25-50	1	-
24G 025 00C E	G 1 1/2 M - G 1 F	3,5	GRUNDFOS (Extra EU) UPSO 25-65 180	05A.DN25	25-50	1	-
24G 025 00X E	G 1 1/2 M - G 1 F	3,5	 WITHOUT PUMP	-	25-50	1	-



NUMBER OF PIECES IN BOX



NUMBER OF PIECES IN CARTON



ARTICLE THE BEST SELLER



NEW ARTICLE



07G.DN25-09G.DN25




Regulating group with 3-way mixing valve fitted to be actuated - reversible - DN 25 - with connections for by-pass (616)

Max working temperature: **90 °C**

Max working pressure: **10 bar**

Connection centre distance: **125 mm**

Flow coefficient Kv of the mixing valve only

Code	Size	Kv	Pump	Pump code		€
07G 025 00U	G 1 1/2 M - G 1 F	6	GRUNDFOS UPM3 AUTO 25-70 180	20AK.DN25	1	-
07G 025 00H	G 1 1/2 M - G 1 F	6	wilo Para 25-180/7-50/SC-12	30A	1	-
07G 025 00K	G 1 1/2 M - G 1 F	6	GRUNDFOS UPML AUTO 25-105 180	28AK.DN25	1	-
07G 025 00C	G 1 1/2 M - G 1 F	6	GRUNDFOS (Extra EU) UPSO 25-65 180	05A.DN25	1	-
07G 025 00X	G 1 1/2 M - G 1 F	6	 WITHOUT PUMP	-	1	-
09G 025 00U	G 1 1/2 M - G 1 F	10	GRUNDFOS UPM3 AUTO 25-70 180	20AK.DN25	1	-
09G 025 00H	G 1 1/2 M - G 1 F	10	wilo Para 25-180/7-50/SC-12	30A	1	-
09G 025 00K	G 1 1/2 M - G 1 F	10	GRUNDFOS UPML AUTO 25-105 180	28AK.DN25	1	-
09G 025 00C	G 1 1/2 M - G 1 F	10	GRUNDFOS (Extra EU) UPSO 25-65 180	05A.DN25	1	-
09G 025 00X	G 1 1/2 M - G 1 F	10	 WITHOUT PUMP	-	1	-



37G.DN25-39G.DN25





Regulating group with 3-way mixing valve fitted to be actuated - reversible - DN 25 - without connections for by-pass

Max working temperature: **90 °C**

Max working pressure: **10 bar**

Connection centre distance: **125 mm**

Flow coefficient Kv of the mixing valve only

Code	Size	Kv	Pump	Pump code		€
37G 025 00U	G 1 1/2 M - G 1 F	6	GRUNDFOS UPM3 AUTO 25-70 180	20AK.DN25	1	-
37G 025 00H	G 1 1/2 M - G 1 F	6	wilo Para 25-180/7-50/SC-12	30A	1	-
37G 025 00K	G 1 1/2 M - G 1 F	6	GRUNDFOS UPML AUTO 25-105 180	28AK.DN25	1	-
37G 025 00C	G 1 1/2 M - G 1 F	6	GRUNDFOS (Extra EU) UPSO 25-65 180	05A.DN25	1	-
37G 025 00X	G 1 1/2 M - G 1 F	6	 WITHOUT PUMP	-	1	-
39G 025 00U	G 1 1/2 M - G 1 F	10	GRUNDFOS UPM3 AUTO 25-70 180	20AK.DN25	1	-
39G 025 00H	G 1 1/2 M - G 1 F	10	wilo Para 25-180/7-50/SC-12	30A	1	-
39G 025 00K	G 1 1/2 M - G 1 F	10	GRUNDFOS UPML AUTO 25-105 180	28AK.DN25	1	-
39G 025 00C	G 1 1/2 M - G 1 F	10	GRUNDFOS (Extra EU) UPSO 25-65 180	05A.DN25	1	-
39G 025 00X 	G 1 1/2 M - G 1 F	10	 WITHOUT PUMP	-	1	-



25G.DN25

Regulating group with 3-way mixing valve fitted to be actuated - reversible - DN 25 - fitted for energy meter (G 3/4 110 mm, G 1 130 mm) - without connections for by-pass

Max working temperature: **90 °C**

Max working pressure: **10 bar**

Connection centre distance: **125 mm**

Flow coefficient Kv of the mixing valve only

Code	Size	Kv	Pump	Pump code		€
25G 025 00U	G 1 1/2 M - G 1 F	6	GRUNDFOS UPM3 AUTO 25-70 180	20AK.DN25	1	-
25G 025 00H	G 1 1/2 M - G 1 F	6	wilo Para 25-180/7-50/SC-12	30A	1	-
25G 025 00K	G 1 1/2 M - G 1 F	6	GRUNDFOS UPML AUTO 25-105 180	28AK.DN25	1	-
25G 025 00C	G 1 1/2 M - G 1 F	6	GRUNDFOS (Extra EU) UPSO 25-65 180	05A.DN25	1	-
25G 025 00X	G 1 1/2 M - G 1 F	6	 WITHOUT PUMP	-	1	-



03G.DN25-05G.DN25


Regulating group with 3-way mixing valve fitted to be actuated - DN 25 - with connections for by-pass (616)

Max working temperature: **90 °C**

Max working pressure: **10 bar**

Connection centre distance: **125 mm**

Flow coefficient Kv of the mixing valve only

Code	Size	Kv	Pump	Pump code		€
03G 025 00U	G 1 1/2 M - G 1 F	6	GRUNDFOS UPM3 AUTO 25-70 180	20AK.DN25	1	-
03G 025 00H	G 1 1/2 M - G 1 F	6	wilo Para 25-180/7-50/SC-12	30A	1	-
03G 025 00K	G 1 1/2 M - G 1 F	6	GRUNDFOS UPML AUTO 25-105 180	28AK.DN25	1	-
03G 025 00C	G 1 1/2 M - G 1 F	6	GRUNDFOS (Extra EU) UPSO 25-65 180	05A.DN25	1	-
03G 025 00X	G 1 1/2 M - G 1 F	6	WITHOUT PUMP	-	1	-
05G 025 00U	G 1 1/2 M - G 1 F	10	GRUNDFOS UPM3 AUTO 25-70 180	20AK.DN25	1	-
05G 025 00H	G 1 1/2 M - G 1 F	10	wilo Para 25-180/7-50/SC-12	30A	1	-
05G 025 00K	G 1 1/2 M - G 1 F	10	GRUNDFOS UPML AUTO 25-105 180	28AK.DN25	1	-
05G 025 00C	G 1 1/2 M - G 1 F	10	GRUNDFOS (Extra EU) UPSO 25-65 180	05A.DN25	1	-
05G 025 00X	G 1 1/2 M - G 1 F	10	WITHOUT PUMP	-	1	-



33G.DN25-35G.DN25


Regulating group with 3-way mixing valve fitted to be actuated - DN 25 - without connections for by-pass

Max working temperature: **90 °C**

Max working pressure: **10 bar**

Connection centre distance: **125 mm**

Flow coefficient Kv of the mixing valve only

Code	Size	Kv	Pump	Pump code		€
33G 025 00U	G 1 1/2 M - G 1 F	6	GRUNDFOS UPM3 AUTO 25-70 180	20AK.DN25	1	-
33G 025 00H	G 1 1/2 M - G 1 F	6	wilo Para 25-180/7-50/SC-12	30A	1	-
33G 025 00K	G 1 1/2 M - G 1 F	6	GRUNDFOS UPML AUTO 25-105 180	28AK.DN25	1	-
33G 025 00C	G 1 1/2 M - G 1 F	6	GRUNDFOS (Extra EU) UPSO 25-65 180	05A.DN25	1	-
33G 025 00X	G 1 1/2 M - G 1 F	6	WITHOUT PUMP	-	1	-
35G 025 00U	G 1 1/2 M - G 1 F	10	GRUNDFOS UPM3 AUTO 25-70 180	20AK.DN25	1	-
35G 025 00H	G 1 1/2 M - G 1 F	10	wilo Para 25-180/7-50/SC-12	30A	1	-
35G 025 00K	G 1 1/2 M - G 1 F	10	GRUNDFOS UPML AUTO 25-105 180	28AK.DN25	1	-
35G 025 00C	G 1 1/2 M - G 1 F	10	GRUNDFOS (Extra EU) UPSO 25-65 180	05A.DN25	1	-
35G 025 00X	G 1 1/2 M - G 1 F	10	WITHOUT PUMP	-	1	-



M03.3

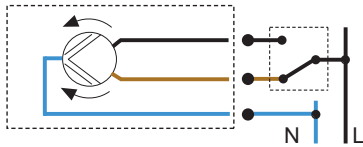
Actuator for mixing valves, rotation angle 90°, 3 point regulation. Complete with blocking screw, valve adaptor, anti-rotation pin, 1,5 m integrated cable, auxiliary microswitch (only in 6 pole version)

Torque: **10 N·m**
 Protection class: **IP 44**
 Frequency: **50 Hz**
 Power consumption: **4 VA**
 Aux. microswitch contact rating: **6 (1) A**



Code	V	Running time [s]	Nr. poles	Cable [m]			€
M03 010 1DA B	230	120	3	1,5	1	16	-

Wiring diagram M03.3, 3 poles



M03.K

Spare part kit for M03.4, M03.3 and M03.2 actuators. Complete with knob, indicator, blocking screw, mixing valve adaptor, anti-rotation pin.



Code			€
M03 000 000 K	1	-	-

P27T2

Actuator for mixing valves, rotation angle 90°, for 3 point regulation with integrated probe and temperature regulator. Temperature adjustment range 5–95 °C. Complete with blocking screw, mixing valve adaptor, anti-rotation pin, Pt 1000 probe (1,6 m cable), contact probe holder, integrated Shuko electrical plug (1,9 m cable).

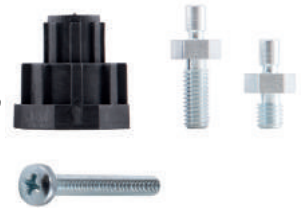
Temperature adjustment range: **5–95 °C**
 Torque: **6 N·m**
 Protection class: **IP 42**
 Frequency: **50 Hz**
 Power consumption: **1,5 VA**



Code	V	Running time [s]	Nr. poles	Cable [m]			€
P27 230 010 T2	230	120	2	1,9	1	4	-

M04.K

Spare part kit for P27T2 and M04 actuators. Complete with blocking screw, mixing valve adaptor, anti-rotation pin.



Code			€
M04 000 000 K	1	-	-

14D.10

Spare probe Pt 1000 for P27T2 actuator.
 Working temperature range: **-25–150 °C**



Code	Size	Cable [m]			€
14D 100 010	4 mm	1	1	-	-

MO4

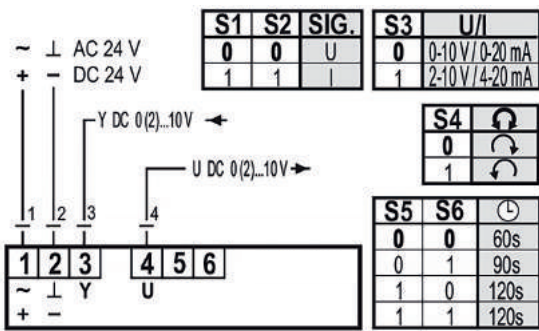
Actuator for mixing valves, rotation angle 90°, proportional regulation 0 (2)-10 V. Complete with blocking screw, valve adaptor, anti-rotation pin, 1,95 m integrated cable



Torque: **5 N·m**
 Feedback: **0–10 V/4–20 mA**
 Protection class: **IP 42**
 Frequency: **50 Hz**
 Power consumption: **4 VA**

Code	V	Running time [s]	Nr. poles	Cable [m]			€
M04 010 3MA B	24	60 - 90 - 120	4	1,95	1	10	-

Wiring diagram M04 0(2)–10 V



15G.DN25

Distribution and anti-condensation recirculation group for solid fuel generators - reversible - DN 25 - with tailpieces and nuts - without connections for by-pass.

Anti-condensation setting: **45-55-60-70 °C**

Temperature of by-pass hot port fully closing: **$T_{mix}=T_{set}+10\text{ °C}=TR$**

Max working temperature: **90 °C**

Max working pressure: **10 bar**

Temperature gauge scale: **0-120 °C**

Connection centre distance: **125 mm**

Flow coefficient Kv of the mixing valve only



Code	Size	Kv	Pump	Pump code	°C		€
15G 025 01U A	G 1 F - G 1 F	9	GRUNDFOS UPM3 AUTO 25-70 180	20AK.DN25	45	1	-
15G 025 01H A	G 1 F - G 1 F	9	wilo Para 25-180/7-50/SC-12	30A	45	1	-
15G 025 01C A	G 1 F - G 1 F	9	GRUNDFOS (Extra EU) UPSO 25-65 180	05A.DN25	45	1	-
15G 025 01X A	G 1 F - G 1 F	9	WITHOUT PUMP	-	45	1	-
15G 025 01U B	G 1 F - G 1 F	9	GRUNDFOS UPM3 AUTO 25-70 180	20AK.DN25	55	1	-
15G 025 01H B	G 1 F - G 1 F	9	wilo Para 25-180/7-50/SC-12	30A	55	1	-
15G 025 01C B	G 1 F - G 1 F	9	GRUNDFOS (Extra EU) UPSO 25-65 180	05A.DN25	55	1	-
15G 025 01X B	G 1 F - G 1 F	9	WITHOUT PUMP	-	55	1	-
15G 025 01U C	G 1 F - G 1 F	9	GRUNDFOS UPM3 AUTO 25-70 180	20AK.DN25	60	1	-
15G 025 01H C	G 1 F - G 1 F	9	wilo Para 25-180/7-50/SC-12	30A	60	1	-
15G 025 01C C	G 1 F - G 1 F	9	GRUNDFOS (Extra EU) UPSO 25-65 180	05A.DN25	60	1	-
15G 025 01X C	G 1 F - G 1 F	9	WITHOUT PUMP	-	60	1	-
15G 025 01U D	G 1 F - G 1 F	9	GRUNDFOS UPM3 AUTO 25-70 180	20AK.DN25	70	1	-
15G 025 01H D	G 1 F - G 1 F	9	wilo Para 25-180/7-50/SC-12	30A	70	1	-
15G 025 01C D	G 1 F - G 1 F	9	GRUNDFOS (Extra EU) UPSO 25-65 180	05A.DN25	70	1	-
15G 025 01X D	G 1 F - G 1 F	9	WITHOUT PUMP	-	70	1	-

20G.DN25

Distribution and anti-condensation recirculation group for solid fuel generators - reversible - DN 25 - with tailpieces and nuts, actuator equipped with constant temperature regulation - temperature adjustment range 5-95 °C - without connections for by-pass.

Temperature adjustment range: **5-95 °C**

Max working temperature: **90 °C**

Max working pressure: **10 bar**

Temperature gauge scale: **0-120 °C**

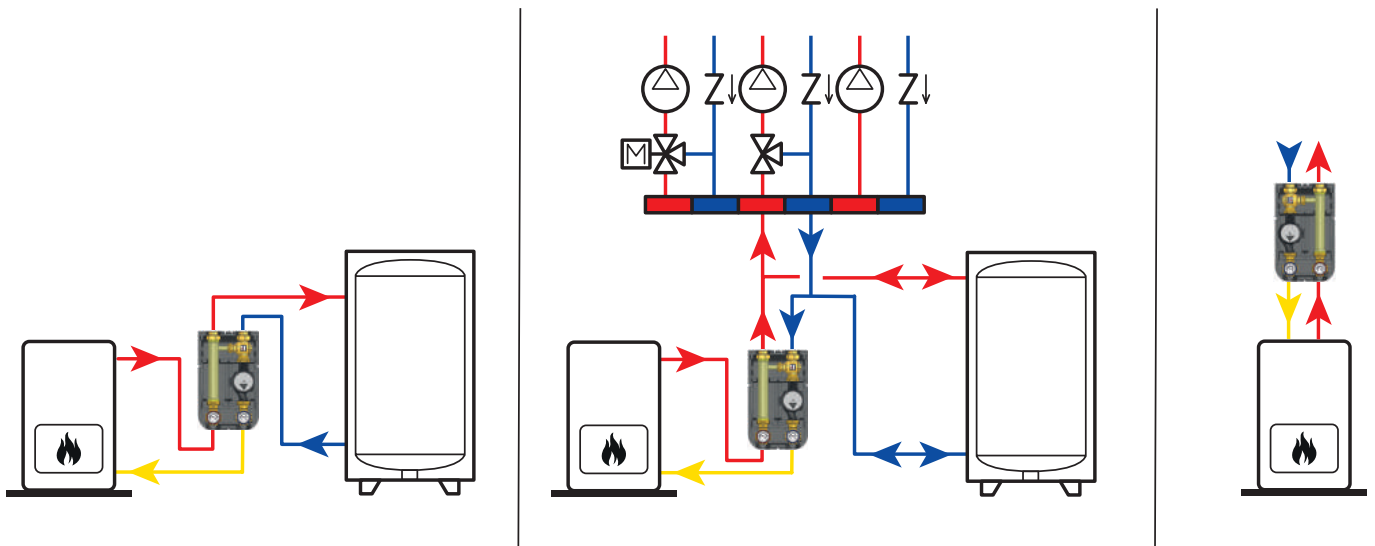
Connection centre distance: **125 mm**

Flow coefficient Kv of the mixing valve only

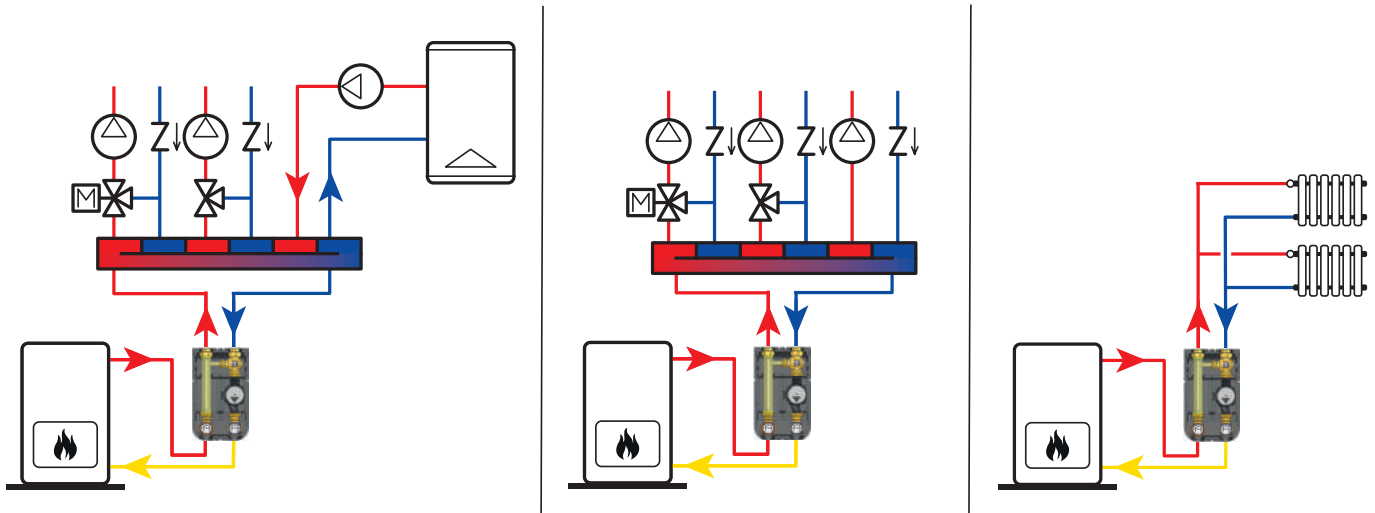


Code	Size	Kv	Pump	Pump code	°C		€
20G 025 07U	G 1 F - G 1 F	10	GRUNDFOS UPM3 AUTO 25-70 180	20AK.DN25	5-95	1	-
20G 025 07H	G 1 F - G 1 F	10	wilo Para 25-180/7-50/SC-12	30A	5-95	1	-
20G 025 07C	G 1 F - G 1 F	10	GRUNDFOS (Extra EU) UPSO 25-65 180	05A.DN25	5-95	1	-
20G 025 07X	G 1 F - G 1 F	10	WITHOUT PUMP	-	5-95	1	-

15G.DN25 or 20G.DN25: direct connection to buffer storage - buffer storage in parallel - installation upon the generator



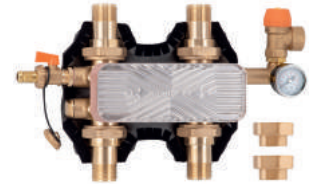
15G.DN25 or 20G.DN25: two generator coupling - connection to system with separator/manifold - direct connection to system



O2C.10

Kit with heat exchanger and safety group - DN 25 - Complete with 2 female fittings (tailpieces and nuts) with flat gasket 44D.DN25

Opening overpressure: **10%**
 Reseating pressure: **-20%**
 Outflow coefficient: **K=0,05**
 Max working temperature: **100 °C**
 Max working pressure: **10 bar**
 Suitable fluids: **water, glycol solutions (max 50%)**
 Connection centre distance: **125 mm**

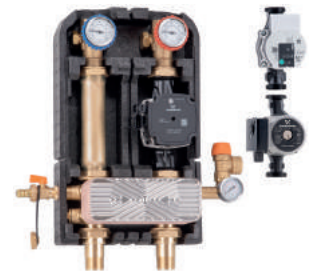


Code	Size	Setting [bar]	Plates		€
O2C M25 10X I	G 1 M - G 1 M	3	34	1	-
O2C M25 10X L	G 1 M - G 1 M	3	28	1	-
O2C M25 10X M	G 1 M - G 1 M	3	18	1	-

38G.14.DN25

Kit with heat exchanger and direct distribution group - reversible - DN 25 - with connections for by-pass (616) and safety group.

Opening overpressure: **10%**
 Reseating pressure: **-20%**
 Outflow coefficient: **K=0,05**
 Max working temperature: **90 °C**
 Max working pressure: **10 bar**
 Suitable fluids: **water, glycol solutions (max 50%)**
 Connection centre distance: **125 mm**



Code	Size	Setting [bar]	Pump	Pump code	Plates		€
38G 025 14U I	G 1 M - G 1 F	3	GRUNDFOS UPM3 AUTO 25-70 180	20AK.DN25	34	1	-
38G 025 14H I	G 1 M - G 1 F	3	wilo Para 25-180/7-50/SC-12	30A	34	1	-
38G 025 14C I	G 1 M - G 1 F	3	GRUNDFOS (Extra EU) UPSO 25-65 180	05A.DN25	34	1	-
38G 025 14X I	G 1 M - G 1 F	3	WITHOUT PUMP	-	34	1	-
38G 025 14U L	G 1 M - G 1 F	3	GRUNDFOS UPM3 AUTO 25-70 180	20AK.DN25	28	1	-
38G 025 14H L	G 1 M - G 1 F	3	wilo Para 25-180/7-50/SC-12	30A	28	1	-
38G 025 14C L	G 1 M - G 1 F	3	GRUNDFOS (Extra EU) UPSO 25-65 180	05A.DN25	28	1	-
38G 025 14X L	G 1 M - G 1 F	3	WITHOUT PUMP	-	28	1	-
38G 025 14U M	G 1 M - G 1 F	3	GRUNDFOS UPM3 AUTO 25-70 180	20AK.DN25	18	1	-
38G 025 14H M	G 1 M - G 1 F	3	wilo Para 25-180/7-50/SC-12	30A	18	1	-
38G 025 14C M	G 1 M - G 1 F	3	GRUNDFOS (Extra EU) UPSO 25-65 180	05A.DN25	18	1	-
38G 025 14X M	G 1 M - G 1 F	3	WITHOUT PUMP	-	18	1	-

O2C.HE

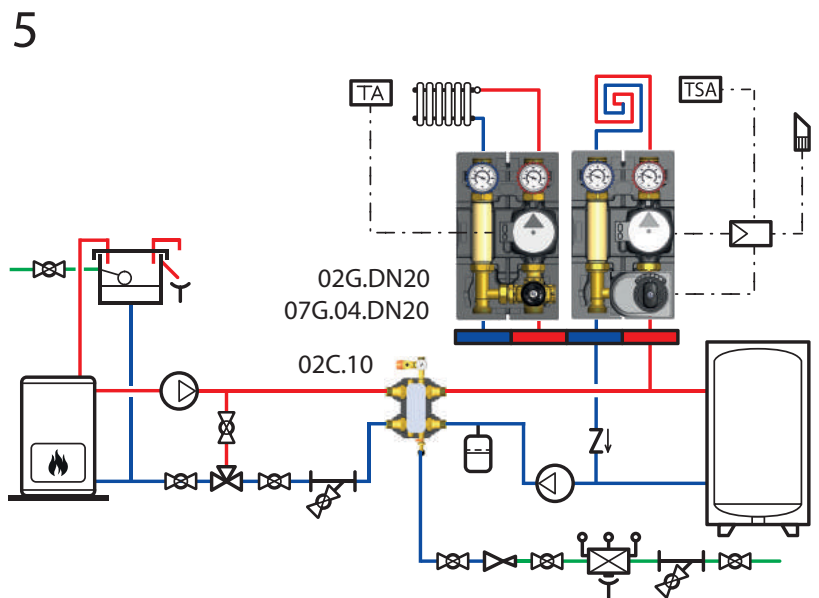
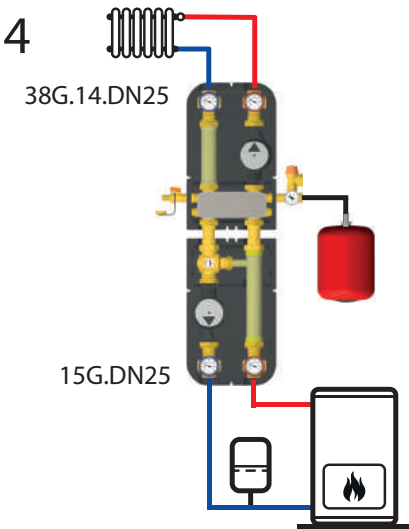
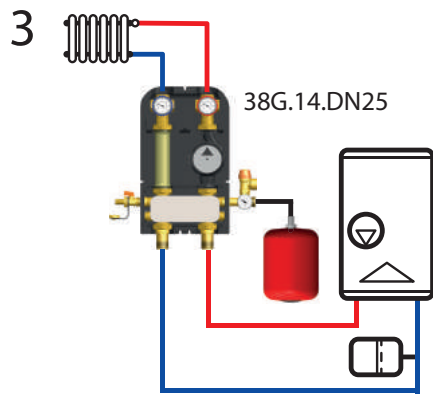
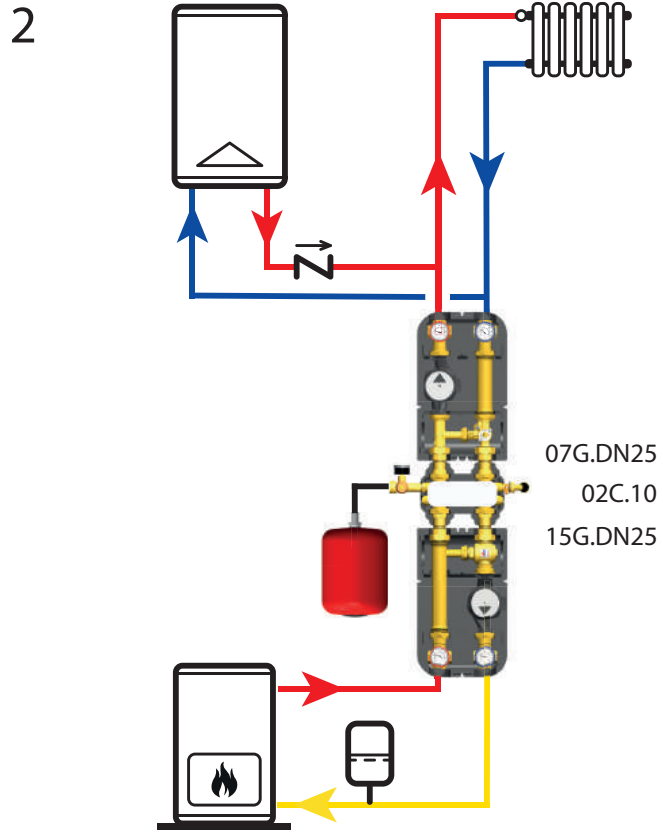
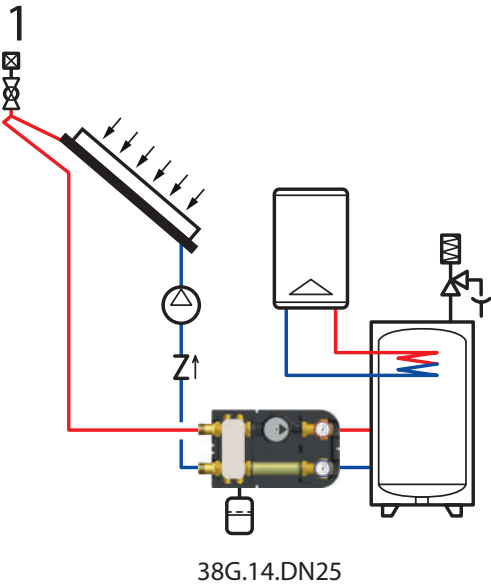
Spare heat exchanger for O2C.10 and 38G.14.DN25 kits. Brazed stainless steel plates.

Max working temperature: **100 °C**
 Max working pressure: **10 bar**
 Suitable fluids: **water, glycol solutions (max 50%)**



Code	Size	Plates		€
O2C M20 34A A1	G 3/4 M	34	1	-
O2C M20 28A A1	G 3/4 M	28	1	-
O2C M20 18A A1	G 3/4 M	18	1	-

System diagrams: 1) connection of a solar system to a multi-energy buffer storage with 38G.14.DN25 - 2) coupling of two generators with 02C.10 - 3) installation of a new generator on a pre-existing system with 38G.14.DN25 - 4) direct supply to the system with 38G.14.DN25 - 5) open vessel generator connected to a closed vessel system by means of 02C.10



52D

Kit composed by thermostatic mixing valve, pump connection and T-joint on the return

Flow coefficient: **Kv 3,5**

Max working temperature: **90 °C**

Max working pressure: **10 bar**

Connection centre distance: **125 mm**



Code	Size	°C			€
52D 040 0T1	G 1 1/2 M - G 1 1/2 RN	25-50	1	8	-
52D 040 0T2	G 1 1/2 M - G 1 1/2 RN	30-60	1	8	-

51D

Kit composed of mixing valve with by-pass, pump connection and T-joint on the return

Connection centre distance: **125 mm**

Max working temperature: **110 °C**

Max working pressure: **10 bar**



Code	Size	Kv			€
51D 040 0C0	G 1 1/2 M - G 1 1/2 RN	6	1	8	-
51D 040 0I0	G 1 1/2 M - G 1 1/2 RN	10	1	8	-

630.3

4-way thermostatic mixing valve with 90° inlets - pump and manifold connection - Kv 3,5 - range 30-60 °C

Flow coefficient: **Kv 3,5**

Temperature adjustment range: **30-60 °C**

Max working temperature: **90 °C**

Max working pressure: **10 bar**



Code	Size			€
630 A20 000 3	G 1 1/2 M - G 1 1/2 RN - G 1 M	1	6	-

630.103

4-way thermostatic mixing valve with 90° inlets - pump and manifold connection - Kv 3,5 - range 25-50 °C

Flow coefficient: **Kv 3,5**

Temperature adjustment range: **25-50 °C**

Max working temperature: **90 °C**

Max working pressure: **10 bar**



Code	Size			€
630 A20 010 3	G 1 1/2 M - G 1 1/2 RN - G 1 M	1	6	-

41D

3-way mixing valve with by-pass fitted to be actuated - pump connection - distribution manifold connection

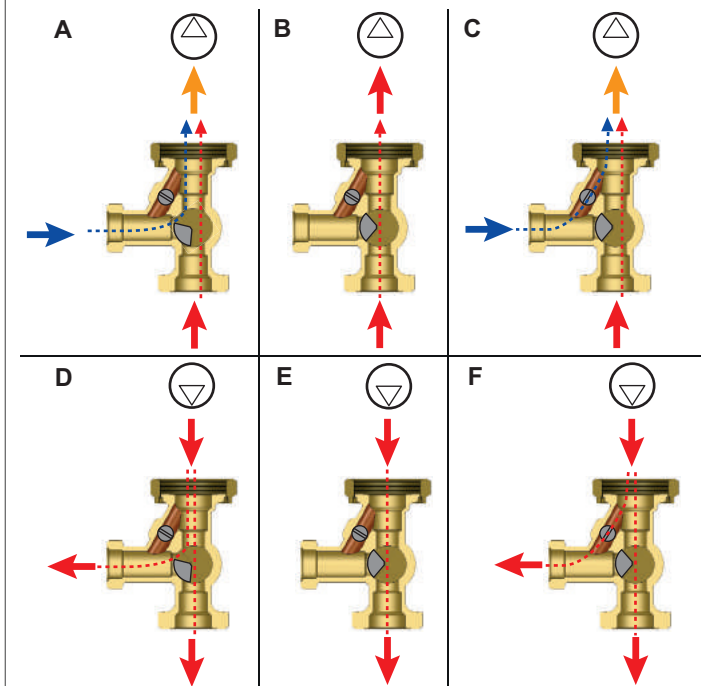
Max working temperature: **110 °C**

Max working pressure: **10 bar**



Code	Size	Kv			€
41D 040 000 C	G 1 1/2 M - G 1 M - G 1 1/2 RN	6	1	10	-
41D 040 000 I	G 1 1/2 M - G 1 M - G 1 1/2 RN	10	1	10	-

Operating principle of 41D and 51D



A- Mix with by-pass closed

B- Mix with hot port fully open and by-pass closed

C- Mix with hot port fully open and by-pass open

D- Diverting with by-pass closed

E- Diverting with straight way fully open

F- Diverting with both straight way and by-pass open

V14.1

woody

Anti-condensation thermostatic mixing valve for solid fuel generators - pump connection - male connection - Kv 9

Flow coefficient: **Kv 9**

Anti-condensation setting: **45-55-60-70 °C**

Temperature of by-pass hot port fully closing:

$T_{mix} = T_{set} + 10 \text{ °C} = TR$

Max working temperature: **100 °C**

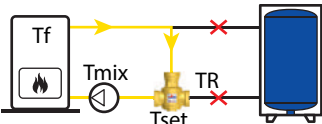
Max working pressure: **10 bar**



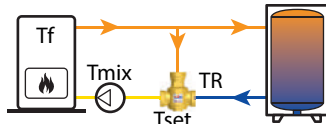
Code	Size	°C			€
V14 M32 00A 1	G 1 1/2 M - G 1 1/2 RN - G 1 M	45	1	12	-
V14 M32 00B 1	G 1 1/2 M - G 1 1/2 RN - G 1 M	55	1	12	-
V14 M32 00C 1	G 1 1/2 M - G 1 1/2 RN - G 1 M	60	1	12	-
V14 M32 00D 1	G 1 1/2 M - G 1 1/2 RN - G 1 M	70	1	12	-

Operating principle of V13-V14 and diagrams with buffer storage and direct connection

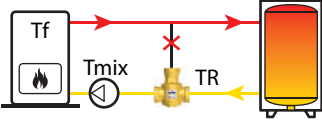
1) $T_f \leq T_{set}$: $T_{mix} = T_f$



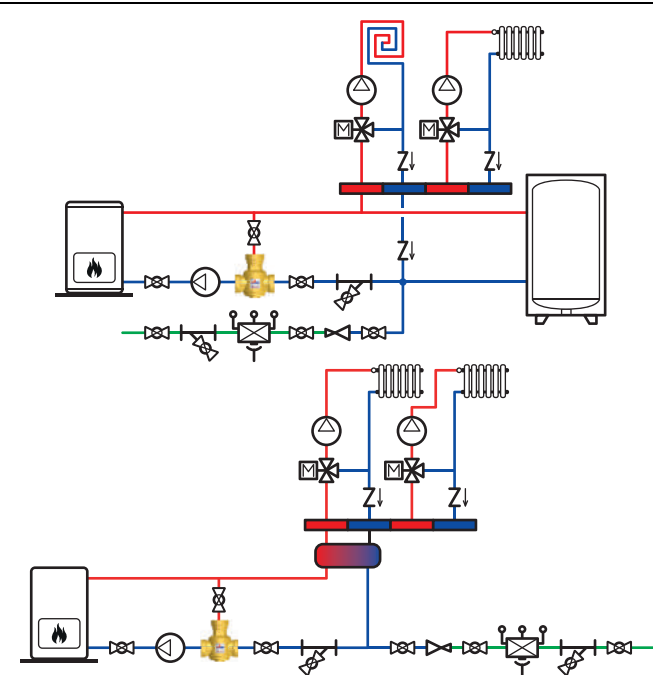
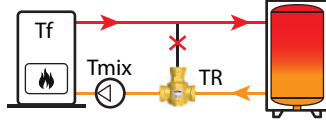
2) $T_f > T_{set}$; $TR < T_{set}$: $T_{mix} = T_{set}$



3) $T_f > T_{mix} = T_{set} + 10 \text{ °C}$: $T_{mix} = TR$



4) $T_f > T_{mix} > T_{set} + 10 \text{ °C}$: $T_{mix} = TR$



615

Differential by-pass valve with running nuts - setting range 0,2-2,5 m w.g.. Complete with flat gaskets.

Max working temperature: **90 °C**

Max working pressure: **10 bar**

Connection distance: **65 mm**



Code	Size			€
615 015 000	G 3/4 RN	1	40	-

616

Differential by-pass valve with running nuts - setting range 2-6,5 m w.g.. Complete with flat gaskets.

Max working temperature: **90 °C**

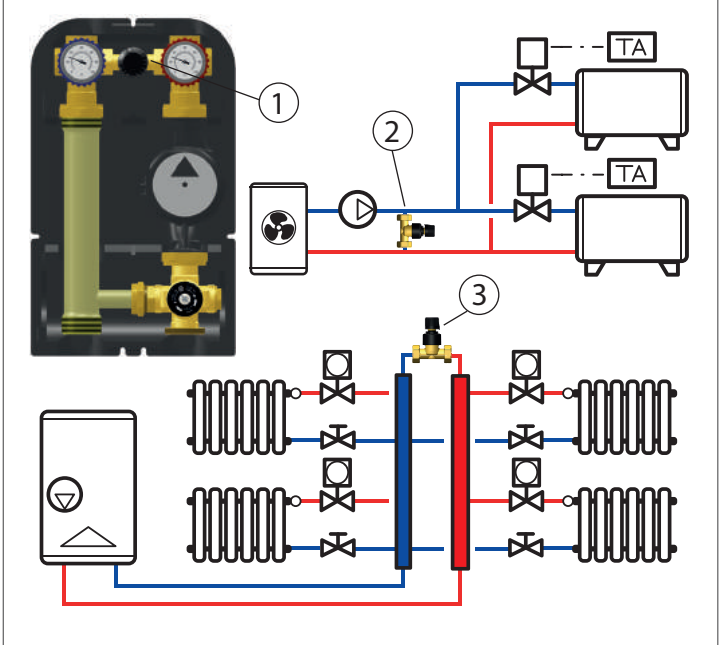
Max working pressure: **10 bar**

Connection distance: **65 mm**



Code	Size			€
616 015 000	G 3/4 RN	1	40	-

615: installation on the DN 25 group (1), between flow and return (2), at the manifold (3)



P73.DN25

Hydraulic separator with thermal insulation - wall mounting brackets.

Max working temperature: **110 °C**
 Max working pressure: **4 bar**
 Material: **steel**



Code	Size	m³/h		€
P73 M40 030	G 1 1/2 M - G 1 1/2 M - Rp 1/2	3	1	-
P73 M40 045	G 1 1/2 M - G 1 1/2 M - Rp 1/2	4,5	1	-

22M.01

Hydraulic separator with thermal insulation, with inner mesh to help deaeration and dirt separation

Max working temperature: **100 °C**
 Max working pressure: **10 bar**
 Material: **steel**



Code	Size	m³/h		€
22M 040 000 01	G 1 1/2 M - G 1 1/2 M - G 1/2 F	4	1	-

20M.01

Pipe connection kit between hydraulic separator 22M04000001 and manifolds P72 and V34

Max working temperature: **90 °C**
 Max working pressure: **10 bar**



Code	Size	m³/h		€
20M 040 000 01	G 1 1/2 RN - G 1 1/2 RN	3	1	-

21M.01

Hydraulic separator with thermal insulation, for horizontal/vertical installation. Complete with running nuts for connection to the manifold

Max working temperature: **100 °C**
 Max working pressure: **6 bar**
 Material: **steel**

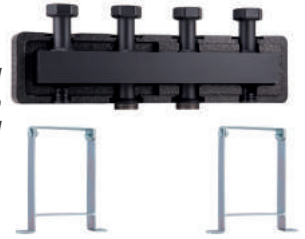


Code	Size	m³/h		€
21M 040 000 01	G 1 1/2 M - G 1 1/2 RN - G 1/2 F	3	1	-

P72.DN25

Dual distribution manifold with thermal insulation - wall mounting brackets - complete with running nuts for distribution and regulating group connection

Max working temperature: **110 °C**
 Max working pressure: **4 bar**
 Connection centre distance: **125 mm**
 Material: **steel**



Code	Size	m³/h	Nr. of zones	€
P72 040 002	G 1 1/2 M - G 1 1/2 RN	3	2	1 -
P72 040 003	G 1 1/2 M - G 1 1/2 RN	3	3	1 -
P72 040 004	G 1 1/2 M - G 1 1/2 RN	3	4	1 -
P72 040 005	G 1 1/2 M - G 1 1/2 RN	3	5	1 -
P72 040 006	G 1 1/2 M - G 1 1/2 RN	3	6	1 -

V34.DN25

"UP/DOWN" dual distribution manifold with thermal insulation - wall mounting brackets - complete with running nuts and fittings for lower distribution and regulating group connection

Max working temperature: **110 °C**
 Max working pressure: **4 bar**
 Connection centre distance: **125 mm**
 Material: **steel**

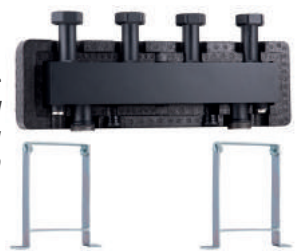


Code	Size	m³/h	Nr. of zones	€
V34 040 003	G 1 1/2 M - G 1 1/2 RN	3	3	1 -
V34 040 005	G 1 1/2 M - G 1 1/2 RN	3	5	1 -
V34 040 007	G 1 1/2 M - G 1 1/2 RN	3	7	1 -

P74

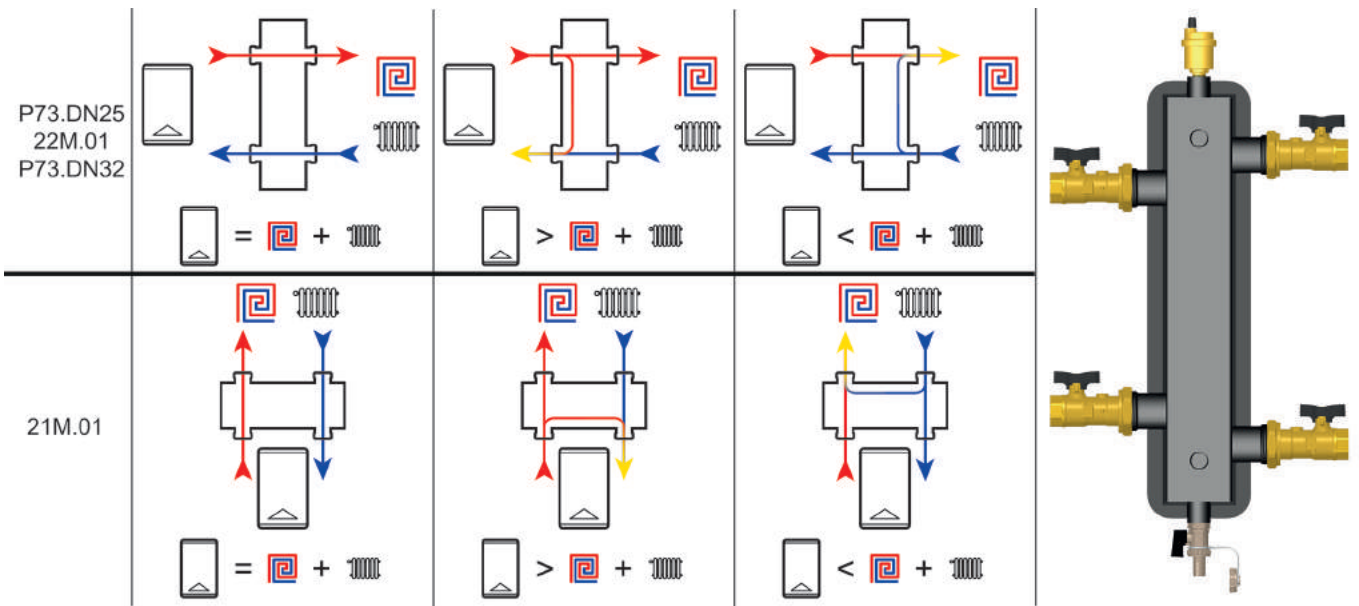
Distribution manifold with integrated hydraulic separator and thermal insulation - wall mounting brackets - complete with running nuts for distribution and regulating group connection

Max working temperature: **110 °C**
 Max working pressure: **4 bar**
 Connection centre distance: **125 mm**
 Material: **steel**

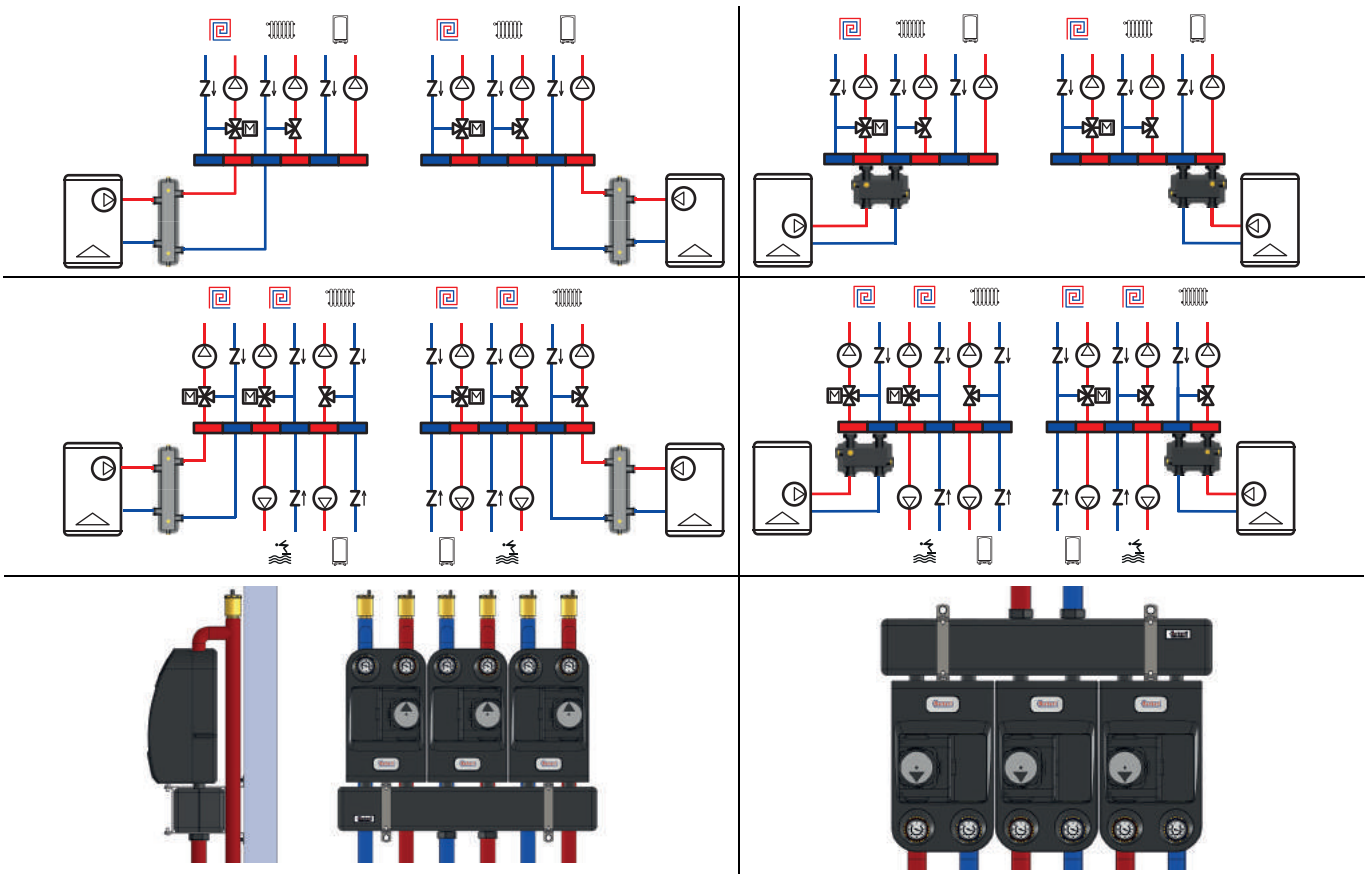


Code	Size	m³/h	Nr. of zones	€
P74 040 002	G 1 1/2 M - G 1 1/2 RN	3	2	1 -
P74 040 003	G 1 1/2 M - G 1 1/2 RN	3	3	1 -

Hydraulic separator operating principle according to primary and secondary flow rate - accessories of separators



Versatility of V34.DN25 manifolds and hydraulic separators/Alignment of the pipes/Upside-down installation



The collar brackets allow to align the pipes behind the groups and a easy installation of the groups in upside-down position.

52D025.01

2 ball shut-off valve kit with pump connection
G 1 1/2 RN

Max working temperature: **95 °C**

Max working pressure: **10 bar**



Code	Size	Knob colour			€
52D 025 000 01	G 1 F - G 1 1/2 RN	red	1	8	-

52D025.02

2 ball shut-off valve kit with pump connection
G 1 1/2 RN and check valve insert integrated
on the ball valve on the return

Max working temperature: **95 °C**

Max working pressure: **10 bar**



Code	Size			€
52D 025 000 02	G 1 F - G 1 1/2 RN	1	6	-

52D025.03

2 ball shut-off valve kit with pump connection
G 1 1/2 RN and differential by-pass valve with
running nuts - setting range 0,2–2,5 m w.g..

Max working temperature: **95 °C**

Max working pressure: **10 bar**



Code	Size			€
52D 025 000 03	G 1 F - G 1 1/2 RN	1	8	-

38D.DN25

Monobloc with pump connection (ball shut-off
valve + temperature gauge + 2 side
connections) - temperature gauge 0–120 °C
- DN 25

Max working temperature: **95 °C**

Max working pressure: **10 bar**



Code	Size	Knob colour			€
38D 025 000	G 1 1/2 RN - G 1 F	red	-	16	-

38D.1T

Ball shut-off valve with pump connection with
possibility of temperature gauge integration -
DN 25 - female connection

Max working temperature: **95 °C**

Max working pressure: **10 bar**



Code	Size	Knob colour			€
38D 025 000 1T	G 1 1/2 RN - G 1 F	red	-	16	-

38D.1

Monobloc with pump connection (ball shut-off
valve + temperature gauge) - temperature
gauge 0–120 °C - DN 25

Max working temperature: **95 °C**

Max working pressure: **10 bar**



Code	Size	Knob colour			€
38D 025 000 1	G 1 1/2 RN - G 1 F	red	-	16	-

38D.2

Monobloc with pump connection (ball shut-off
valve + temperature gauge + probe
connection) - temperature gauge 0–120 °C
- DN 25

Max working temperature: **95 °C**

Max working pressure: **10 bar**



Code	Size	Knob colour			€
38D 025 000 2	G 1 1/2 RN - G 1 F	red	-	16	-

39D

Ball shut-off valve with pump connection - male connection

Max working temperature: **95 °C**
Max working pressure: **10 bar**



Code	Size	Knob colour			€
39D 020 000 R	G 1 1/2 RN - G 1 1/2 M	black	-	25	-

37D.1

Monobloc with pump connection (ball shut-off valve + temperature gauge + check valve + check valve override) - temperature gauge 0-120 °C - DN 25

Max working temperature: **95 °C**
Max working pressure: **10 bar**



Code	Size	Knob colour			€
37D 025 000 1	G 1 F - G 1 1/2 RN	blue	-	16	-

37D.DN25

Monobloc with pump connection (ball shut-off valve + temperature gauge + 2 side connections + check valve + check valve override) - temperature gauge 0-120 °C - DN 25

Max working temperature: **95 °C**
Max working pressure: **10 bar**



Code	Size	Knob colour			€
37D 025 000	G 1 F - G 1 1/2 RN	blue	-	16	-

440.1

Knob and screw kit for mixing valve manual setting



Code	€
440 015 011 I	-

37D.1T

Monobloc with pump connection (ball shut-off valve + check valve + check valve override) - with possibility of temperature gauge integration - DN 25

Max working temperature: **95 °C**
Max working pressure: **10 bar**



Code	Size	Knob colour			€
37D 025 000 1T	G 1 F - G 1 1/2 RN	blue	-	16	-

40D

Extension with flat seat, connection distance 272 mm

Max working temperature: **140 °C**

Max working pressure: **10 bar**



Code	Size			€
40D 040 000	G 1 1/2 M - 272 mm	-	16	-

40D.L

L-extension with flat seat, connection distance 272 mm

Max working temperature: **140 °C**

Max working pressure: **10 bar**



Code	Size			€
40D 040 000 L	G 1 1/2 M - G 1 RN - 272 mm	-	16	-

40D.2

Extension with flat seat, connection distance 180 mm

Max working temperature: **140 °C**

Max working pressure: **10 bar**



Code	Size			€
40D 040 000 2	G 1 1/2 M - 180 mm	-	16	-

40D.C

Extension with flat seat for 110 and 130 mm energy metering devices, connection distance 180 mm

Max working temperature: **140 °C**

Max working pressure: **10 bar**



Code	Size			€
40D 020 000	G 1 1/2 M - 180 mm	-	-	-

036.TI

Plug G 1 1/2 F with gasket.

Max working temperature: **90 °C**

Max working pressure: **10 bar**



Code	Size			€
036 040 007 TI	G 1 1/2 F	2	-	-

44D.DN25

2 female fittings (tailpieces and nuts) with flat gasket - DN 25

Max working temperature: **90 °C**

Max working pressure: **10 bar**



Code	Size			€
44D 025 000	G 1 F - G 1 1/2 RN	2	50	-

V38.P

2 fittings FM with flat gaskets to adapt 130 mm centre distance pumps to 180 mm centre distance

Max working temperature: **100 °C**

Max working pressure: **10 bar**



Code	Size			€
V38 040 000 10	G 1 F - G 1 1/2 M	2	-	-
V38 040 000 11	G 1 1/2 F - G 1 1/2 M	2	-	-

V35

Fitting kit with G 1 1/2 RN x G 1 1/2 RN running nuts, plug and flat gasket.

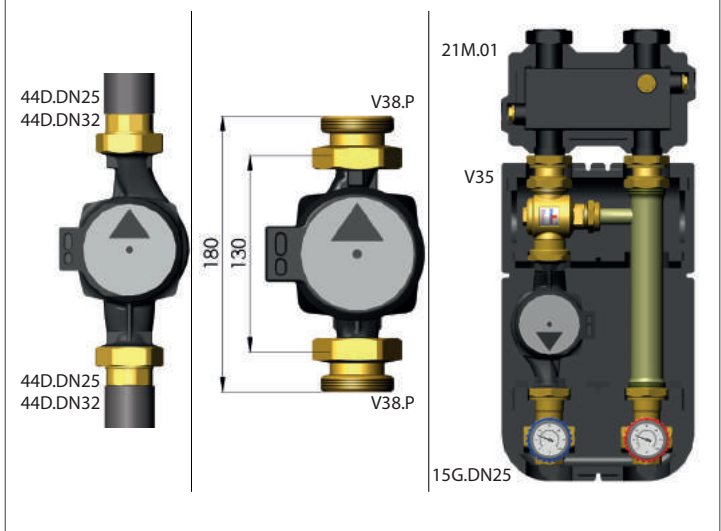
Max working temperature: **90 °C**

Max working pressure: **10 bar**



Code	Size			€
V35 040 000 I	G 1 1/2 RN x G 1 1/2 RN	2	-	-

Use of fittings 44D.DN25 or 44D.DN32, V38.P, V35



V38.05

Kit with Y fitting and immersion probe pocket

Max working temperature: **95 °C**
 Max working pressure: **16 bar**
 Probe diameter: **6 mm**

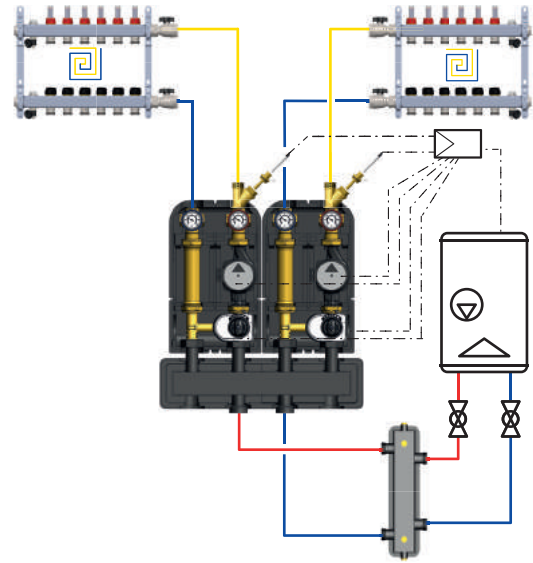


Code	Size			€
V38 020 000 05	G 3/4 M	2	-	-
V38 025 000 05	G 1 M	2	-	-

Fitting V38.05 with pocket specific for immersion probe



V38.05: installation on the DN 25 group



P28.I4

Immersion probe pocket - seal on fitting

Max working temperature: **95 °C**
 Max working pressure: **16 bar**
 Probe diameter: **6 mm**



Code	Size			€
P28 015 000 I4	G 1/2 M	10	50	-

53D.S.DN25

Pair of spare brackets for wall mounting of the distribution manifold P72.DN25, V34.DN25 and manifold-separator P74.

Hole centre distance: **S1 180 mm, S2 215 mm**
Hole diameter: **10,5 mm**



Code	Size			€
53D 025 00S 1	for P72.DN25 and V34.DN25	1	-	-
53D 025 00S 2	for P74	1	-	-

42D.DN25

Bracket for wall mounting of the distribution and regulating groups, with screws and anchors

Hole centre distance: **90 mm**
Hole diameter: **8 mm**



Code			€
42D 025 Z00 I	1	25	-

43D.DN25

Distribution and regulating group insulation

Material: **EPP**



Code	Size		€
43D 025 000	247-410-212 mm	1	-

11D.120

Axial temperature gauge

Scale: **0-120 °C**
Diameter: **51 mm**
Stem diameter: **5 mm**
Stem total length: **50,5 mm**



Code	Size			€
11D 015 000 120	Ø 51 mm	1	10	-

30A

Spare pump Wilo Para with high efficiency (EEI<0,20). With 1 m cable

Max head: **7,7 m w.g.**
Max working temperature: **100 °C**
Max working pressure: **10 bar**
Centre distance: **180 mm**



Code	Size	Pump	Cable [m]	€
30A 040 070 BK	G 1 1/2 M	Para 25-180/7-50/SC-12	1	-

20AK.DN25

Spare pump Grundfos UPM3 AUTO 25-70 180 with high efficiency (EEI<0,20). Complete with 3 pole cable.

Max head: **7 m w.g.**
Max working temperature: **100 °C**
Max working pressure: **10 bar**
Centre distance: **180 mm**



Code	Size	Nr. poles	Cable [m]	€
20A 040 070 BK	G 1 1/2 M	3	1	-

28AK.DN25

Spare pump Grundfos UPML AUTO 25-105 180 with high efficiency (EEI<0,23). With 1 m cable and rapid connector

Max head: **10,5 m w.g.**
Max working temperature: **100 °C**
Max working pressure: **10 bar**
Centre distance: **180 mm**



Code	Size	€
28A 040 105 BK	G 1 1/2 M	-

14D.2

3 pole cable with 90° rapid connector for UPM3 AUTO, UPM3 AUTO L and UPM3 solar pumps



Code	Nr. poles	Cable [m]	€
14D 100 002	3	1	-

14D.5

3 pole cable with 90° rapid connector for Wilo Para



Code	Nr. poles	Cable [m]	€
14D 100 005	3	1	-

05A.DN25

Spare pump Grundfos UPSO 25-65 180 with 3 constant speeds (Extra EU)

Max head: **6,5 m w.g.**

Max working temperature: **100 °C**

Max working pressure: **10 bar**

Centre distance: **180 mm**



Code	Size	€
05A 040 065 B	G 1 1/2 M	-



NUMBER OF PIECES IN BOX



NUMBER OF PIECES IN CARTON



ARTICLE THE BEST SELLER



NEW ARTICLE





01G.DN32

Direct distribution group - reversible - DN 32 - without connections for by-pass

Max working temperature: **90 °C**

Max working pressure: **10 bar**

Connection centre distance: **125 mm**

Code	Size	Pump	Pump code		€
01G 032 00Y	G 2 M - G 1 1/4 F	GRUNDFOS UPM3 AUTO 32-70 180	24AK.DN32	1	-
01G 032 00F	G 2 M - G 1 1/4 F	GRUNDFOS UPML AUTO 32-105 180	17AK.DN32	1	-
01G 032 00T	G 2 M - G 1 1/4 F	GRUNDFOS (Extra EU) UPSO 32-65 180	05A.DN32	1	-
01G 032 00X	G 2 M - G 1 1/4 F	 WITHOUT PUMP	-	1	-



07G.06.DN32

Regulating group with mixing valve fitted to be actuated - reversible - DN 32 - actuator with constant temperature regulator - temperature adjustment range 5–95 °C - without connections for by-pass



Temperature adjustment range: **5–95 °C**

Max working temperature: **90 °C**

Max working pressure: **10 bar**

Connection centre distance: **125 mm**

Flow coefficient Kv of the mixing valve only

Code	Size	Kv	Pump	Pump code		€
07G 032 06Y	G 2 M - G 1 1/4 F	18	GRUNDFOS UPM3 AUTO 32-70 180	24AK.DN32	1	-
07G 032 06F	G 2 M - G 1 1/4 F	18	GRUNDFOS UPML AUTO 32-105 180	17AK.DN32	1	-
07G 032 06T	G 2 M - G 1 1/4 F	18	GRUNDFOS (Extra EU) UPSO 32-65 180	05A.DN32	1	-
07G 032 06X	G 2 M - G 1 1/4 F	18	 WITHOUT PUMP	-	1	-



07G.DN32



Regulating group with mixing valve fitted to be actuated - reversible - DN 32 - without connections for by-pass

Max working temperature: **90 °C**

Max working pressure: **10 bar**

Connection centre distance: **125 mm**

Flow coefficient Kv of the mixing valve only

Code	Size	Kv	Pump	Pump code		€
07G 032 00Y	G 2 M - G 1 1/4 F	18	GRUNDFOS UPM3 AUTO 32-70 180	24AK.DN32	1	-
07G 032 00F	G 2 M - G 1 1/4 F	18	GRUNDFOS UPML AUTO 32-105 180	17AK.DN32	1	-
07G 032 00T	G 2 M - G 1 1/4 F	18	GRUNDFOS (Extra EU) UPSO 32-65 180	05A.DN32	1	-
07G 032 00X	G 2 M - G 1 1/4 F	18	 WITHOUT PUMP	-	1	-



19G.DN32

Distribution and anti-condensation recirculation group for solid fuel generators - reversible - DN 32 - with tailpieces and nuts, actuator equipped with constant temperature regulation - temperature adjustment range 5–95 °C - without connections for by-pass.

Temperature adjustment range: **5–95 °C**

Max working temperature: **90 °C**


Max working pressure: **10 bar**

Temperature gauge scale: **0–120 °C**

Connection centre distance: **125 mm**

Flow coefficient Kv of the mixing valve only



Code	Size	Kv	Pump	Pump code		€
19G 032 07Y	G 2 M - G 1 1/4 F	18	GRUNDFOS UPM3 AUTO 32-70 180	24AK.DN32	1	-
19G 032 07T	G 2 M - G 1 1/4 F	18	GRUNDFOS (Extra EU) UPSO 32-65 180	05A.DN32	1	-
19G 032 07X	G 2 M - G 1 1/4 F	18	⊗ WITHOUT PUMP	-	1	-



NUMBER OF PIECES IN BOX



NUMBER OF PIECES IN CARTON



ARTICLE THE BEST SELLER



NEW ARTICLE



M03.3

Actuator for mixing valves, rotation angle 90°, 3 point regulation. Complete with blocking screw, valve adaptor, anti-rotation pin, 1,5 m integrated cable, auxiliary microswitch (only in 6 pole version)

Torque: **10 N·m**

Protection class: **IP 44**

Frequency: **50 Hz**

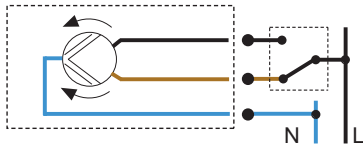
Power consumption: **4 VA**

Aux. microswitch contact rating: **6 (1) A**



Code	V	Running time [s]	Nr. poles	Cable [m]			€
M03 010 1DA B	230	120	3	1,5	1	16	-

Wiring diagram M03.3, 3 poles



M03.K

Spare part kit for M03.4, M03.3 and M03.2 actuators. Complete with knob, indicator, blocking screw, mixing valve adaptor, anti-rotation pin.



Code			€
M03 000 000 K	1	-	-

P27T2

Actuator for mixing valves, rotation angle 90°, for 3 point regulation with integrated probe and temperature regulator. Temperature adjustment range 5–95 °C. Complete with blocking screw, mixing valve adaptor, anti-rotation pin, Pt 1000 probe (1,6 m cable), contact probe holder, integrated Shuko electrical plug (1,9 m cable).

Temperature adjustment range: **5–95 °C**

Torque: **6 N·m**

Protection class: **IP 42**

Frequency: **50 Hz**

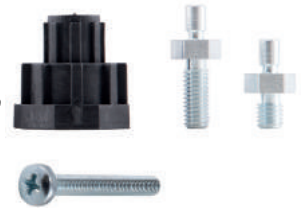
Power consumption: **1,5 VA**



Code	V	Running time [s]	Nr. poles	Cable [m]			€
P27 230 010 T2	230	120	2	1,9	1	4	-

M04.K

Spare part kit for P27T2 and M04 actuators. Complete with blocking screw, mixing valve adaptor, anti-rotation pin.



Code			€
M04 000 000 K	1	-	-

14D.10

Spare probe Pt 1000 for P27T2 actuator.

Working temperature range: **-25–150 °C**



Code	Size	Cable [m]			€
14D 100 010	4 mm	1	1	-	-

MO4

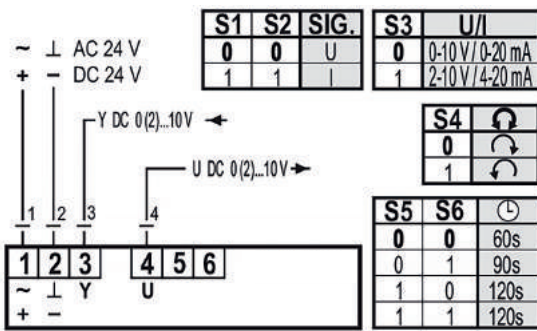
Actuator for mixing valves, rotation angle 90°, proportional regulation 0 (2)-10 V. Complete with blocking screw, valve adaptor, anti-rotation pin, 1,95 m integrated cable

Torque: **5 N·m**
 Feedback: **0-10 V/4-20 mA**
 Protection class: **IP 42**
 Frequency: **50 Hz**
 Power consumption: **4 VA**



Code	V	Running time [s]	Nr. poles	Cable [m]			€
M04 010 3MA B	24	60 - 90 - 120	4	1,95	1	10	-

Wiring diagram MO4 0(2)-10 V



51D

Kit composed of mixing valve with by-pass, pump connection and T-joint on the return

Connection centre distance: **125 mm**
 Max working temperature: **110 °C**
 Max working pressure: **10 bar**



Code	Size	Kv			€
51D 050 0G0	G 2 M - G 2 RN	18	1	8	-

41D

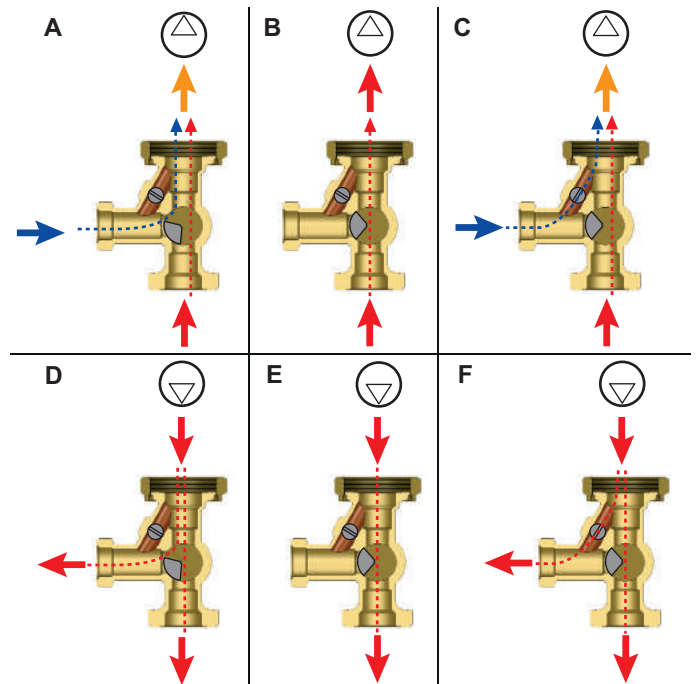
3-way mixing valve with by-pass fitted to be actuated - pump connection - distribution manifold connection

Max working temperature: **110 °C**
 Max working pressure: **10 bar**



Code	Size	Kv			€
41D 050 000 G	G 2 M - G 1 1/4 M - G 2 RN	18	1	10	-

Operating principle of 41D and 51D



- A- Mix with by-pass closed
- B- Mix with hot port fully open and by-pass closed
- C- Mix with hot port fully open and by-pass open
- D- Diverting with by-pass closed
- E- Diverting with straight way fully open
- F- Diverting with both straight way and by-pass open


P73.DN32

Hydraulic separator with thermal insulation - wall mounting brackets.

Max working temperature: **110 °C**

Max working pressure: **4 bar**

Material: **steel**

Code	Size	m³/h		€
P73 M50 080	G 2 M - G 2 M - Rp 1/2	8	1	-



P72.DN32


Dual distribution manifold with thermal insulation - wall mounting brackets - complete with running nuts for distribution and regulating group connection

Max working temperature: **110 °C**

Max working pressure: **4 bar**

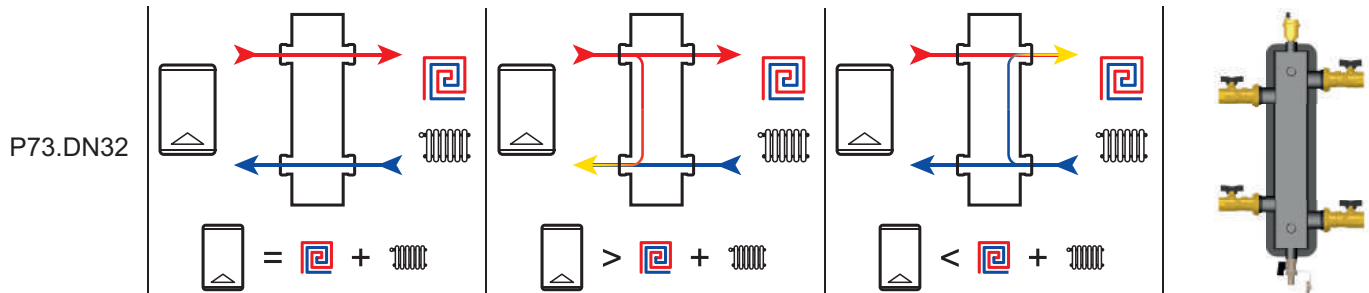
Connection centre distance: **125 mm**

Material: **steel**

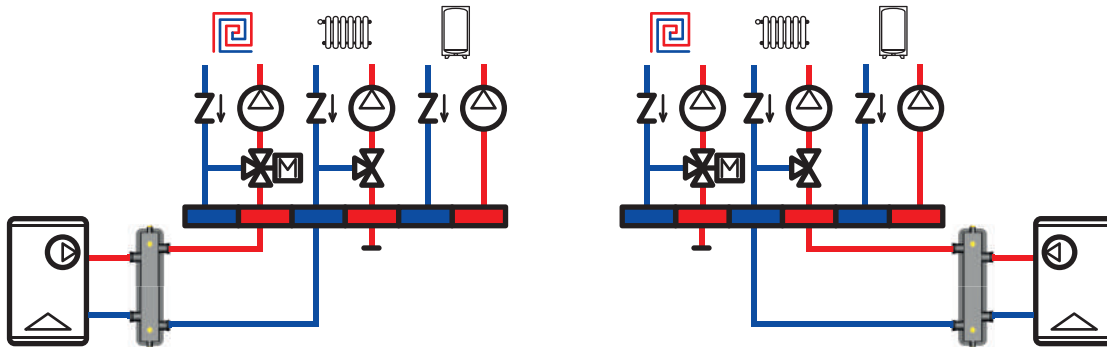
Code	Size	m³/h	Nr. of zones		€
P72 050 002	G 2 M - G 2 RN	6,5	2	1	-
P72 050 003	G 2 M - G 2 RN	6,5	3	1	-
P72 050 004	G 2 M - G 2 RN	6,5	4	1	-
P72 050 005	G 2 M - G 2 RN	6,5	5	1	-
P72 050 006	G 2 M - G 2 RN	6,5	6	1	-



Hydraulic separator operating principle according to primary and secondary flow rate - accessories of separators



Versatility of P72.DN32 manifolds



52D032.01

2 ball shut-off valve kit with pump connection
G 2 RN

Max working temperature: **95 °C**
Max working pressure: **10 bar**



Code	Size	Knob colour			€
52D 032 000 01	G 1 1/4 F - G 2 RN	red	1	8	-

52D032.02

2 ball shut-off valve kit with pump connection
G 2 RN and check valve insert integrated on
the ball valve on the return

Max working temperature: **95 °C**
Max working pressure: **10 bar**



Code	Size			€
52D 032 000 02	G 1 1/4 F - G 2 RN	1	6	-

38D.DN32

Monobloc with pump connection (ball shut-off
valve + temperature gauge) - temperature
gauge 0-120 °C - DN 32

Max working temperature: **95 °C**
Max working pressure: **10 bar**



Code	Size	Knob colour			€
38D 032 000	G 2 RN - G 1 1/4 F	red	-	16	-

50D.M50

Ball shut-off valve with pump connection with
possibility of temperature gauge integration -
male connection

Max working temperature: **95 °C**
Max working pressure: **10 bar**



Code	Size	Knob colour			€
50D M50 000 R	G 2 RN - G 2 M	red	-	25	-

37D.DN32

Monobloc with pump connection (ball shut-off
valve + temperature gauge + check valve) -
temperature gauge 0-120 °C - DN 32

Max working temperature: **95 °C**
Max working pressure: **10 bar**



Code	Size	Knob colour			€
37D 032 000	G 1 1/4 F - G 2 RN	blue	-	16	-

44D.DN32

2 female fittings (tailpieces and nuts) with flat
gasket - DN 32

Max working temperature: **90 °C**
Max working pressure: **10 bar**



Code	Size			€
44D 032 000	G 1 1/4 F - G 2 RN	2	-	-

V36.I2

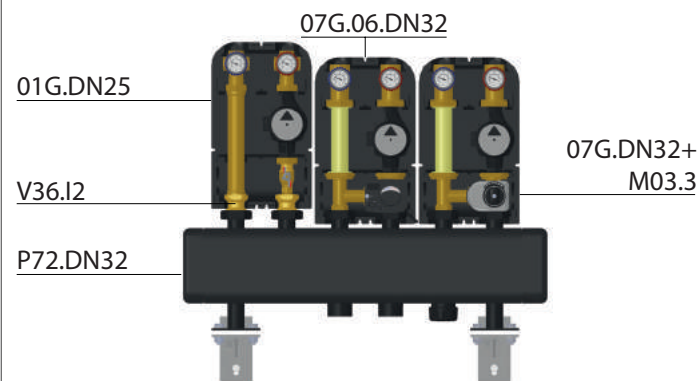
2 adapter fittings between DN 25 groups and
DN 32 manifolds - flat gasket

Max working temperature: **110 °C**
Max working pressure: **10 bar**



Code	Size			€
V36 050 000 I2	G 2 M - G 1 1/2 F	2	-	-

Connection of a DN 25 group to the P72.DN32 manifold by means of the
V36.I2 fittings



440.I

Knob and screw kit for mixing valve manual setting



Code	€
440 015 011 I	-

40D.DN32

Extension with flat seat, connection distance 280 mm

Max working temperature: **140 °C**
Max working pressure: **10 bar**



Code	Size			€
40D 050 000	G 2 M - 280 mm	-	-	-

40D.2.DN32

Extension with flat seat, connection distance 180 mm

Max working temperature: **140 °C**
Max working pressure: **10 bar**



Code	Size			€
40D 050 002	G 2 M - 180 mm	-	-	-

42D.DN32

Bracket for wall mounting of the distribution and regulating groups, with screws and anchors

Hole centre distance: **90 mm**
Hole diameter: **8 mm**



Code			€
42D 032 Z00 I	1	25	-

11D.120

Axial temperature gauge

Scale: **0-120 °C**
Diameter: **51 mm**
Stem diameter: **5 mm**
Stem total length: **50,5 mm**



Code	Size			€
11D 015 000 120	Ø 51 mm	1	10	-

V38.05

Kit with Y fitting and immersion probe pocket

Max working temperature: **95 °C**
Max working pressure: **16 bar**
Probe diameter: **6 mm**



Code	Size			€
V38 020 000 05	G 3/4 M	2	-	-
V38 025 000 05	G 1 M	2	-	-

Fitting V38.05 with pocket specific for immersion probe



P28.I4

Immersion probe pocket - seal on fitting

Max working temperature: **95 °C**
Max working pressure: **16 bar**
Probe diameter: **6 mm**



Code	Size			€
P28 015 000 I4	G 1/2 M	10	50	-

43D.DN32

Distribution and regulating group insulation

Material: **EPP**



Code	Size		€
43D 032 000	247-410-212 mm	1	-

14D.2

3 pole cable with 90° rapid connector for UPM3 AUTO, UPM3 AUTO L and UPM3 solar pumps



Code	Nr. poles	Cable [m]	€
14D 100 002	3	1	-

24AK.DN32

Spare pump Grundfos UPM3 AUTO 32-70 180 with high efficiency (EEL<0,20). Complete with 3 pole cable.

Max head: **7 m w.g.**

Max working temperature: **100 °C**

Max working pressure: **10 bar**

Centre distance: **180 mm**



Code	Size	Nr. poles	Cable [m]	€
24A 050 070 BK	G 2 M	3	1	-

05A.DN32

Spare pump Grundfos UPSO 32-65 180 with 3 constant speeds (Extra EU)

Max head: **6,5 m w.g.**

Max working temperature: **100 °C**

Max working pressure: **10 bar**

Centre distance: **180 mm**



Code	Size	€
05A 050 065 B	G 2 M	-

17AK.DN32

Spare pump Grundfos UPML AUTO 32-105 180 with high efficiency (EEL<0,23). With 1 m cable and rapid connector

Max head: **10,5 m w.g.**

Max working temperature: **100 °C**

Max working pressure: **10 bar**

Centre distance: **180 mm**



Code	Size		€
17A 050 105 BK	G 2 M	1	-



NUMBER OF PIECES IN BOX



NUMBER OF PIECES IN CARTON



ARTICLE THE BEST SELLER



NEW ARTICLE



27B.N

Recessed regulating group with thermostatic mixing valve 20–55 °C. The group is supplied with temperature gauge and integrated air vent. Complete with fittings for manifold connection. Version without pump on request.

Temperature adjustment range: **20–55 °C**

Max working temperature: **90 °C**

Max working pressure: **10 bar**

Connection centre distance to secondary manifold: **200–211 mm**

Flow coefficient Kv of the mixing valve only

Code	Size	Kv	Pump	Pump code			€
27B 040 N4P 3	G 1 M	3,5	wilo Para 25-130/7-50/SC-12	29A.040	-	1	-
27B 040 N4T 3	G 1 M	3,5	GRUNDFOS UPM3 AUTO 25-70 130	31AK	-	1	-
27B 040 N4M 3	G 1 M	3,5	GRUNDFOS (Extra EU) UPSO 25-65 130	01A.40	-	1	-
27B 040 N4X 3	G 1 M	3,5	WITHOUT PUMP	-	1	5	-



99B

Safety thermostat kit for distribution and regulating recessed groups 27B.N-29B.N-30B.N. Normally closed with 55 °C setting, pre-wired box.

Code			€
99B 004 005 2	1	-	-



99B.07

Safety thermostat kit for distribution and regulating recessed groups 27B.N-29B.N-30B.N. Normally closed with 55 °C setting.

Code			€
99B 004 007	1	-	-



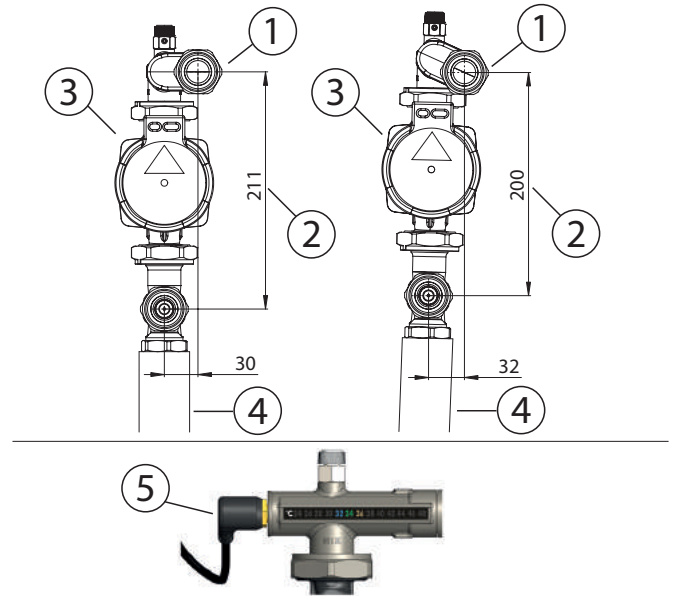
New group 27B.N



Characteristics of the new 27B.N group:

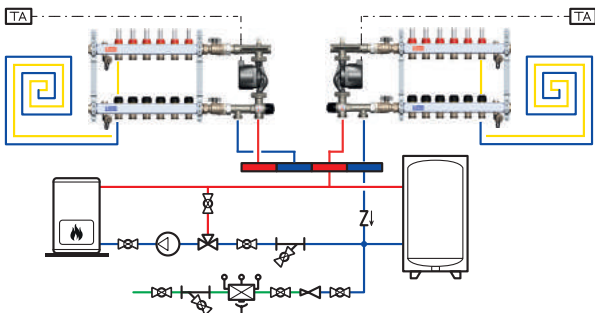
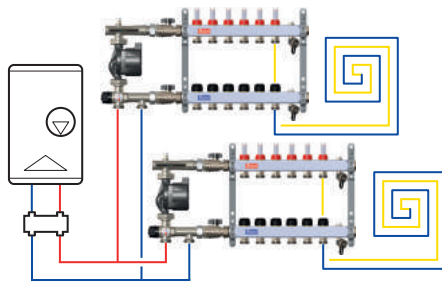
- 1) Offset fitting on the flow pipe
- 2) Kv of the mixing valve increased to 3,5
- 3) New adjustment range 20-55 °C
- 4) M4 threaded connection for the installation of protection and control devices
- 5) Same overall dimensions of the previous version

27B.N: offset fitting, adjustable centre distance/Connection of the 99B safety thermostat

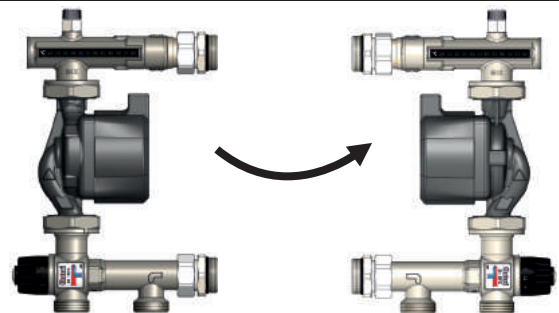
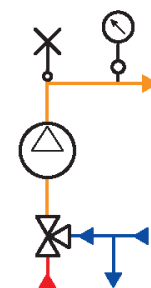


The offset fitting (1) allows the connection of the group to manifolds with 200-211 mm centre distance (2), the installation of the group in vertical position (3) to make easier the connection with the primary pipes arriving from the bottom (4). The M4 threaded connection allows the installation of protection and control devices such as the 99B series optional safety thermostat kit (5).

27B.N group: with gas boiler and hydraulic separator/with solid fuel generator and buffer storage in parallel



27B.N: hydraulic diagram/Immediate reversibility



The hydraulic diagram shows the flow directions/The group can be immediately reversed from right to left to exchange the manifold position.

30B.N

Direct distribution recessed group. The group is supplied with temperature gauge and integrated air vent. Complete with fittings for manifold connection. Version without pump on request.

Max working temperature: **90 °C**

Max working pressure: **10 bar**

Connection centre distance to secondary manifold: **200–211 mm**



Code	Size	Pump	Pump code			€
30B 040 NDP 3	G 1 M	wilo Para 25-130/7-50/SC-12	29A.040	-	1	-
30B 040 NDT 3	G 1 M	GRUNDFOS UPM3 AUTO 25-70 130	31AK	-	1	-
30B 040 NDM 3	G 1 M	GRUNDFOS (Extra EU) UPSO 25-65 130	01A.40	-	1	-
30B 040 NDX 3	G 1 M	WITHOUT PUMP	-	1	5	-

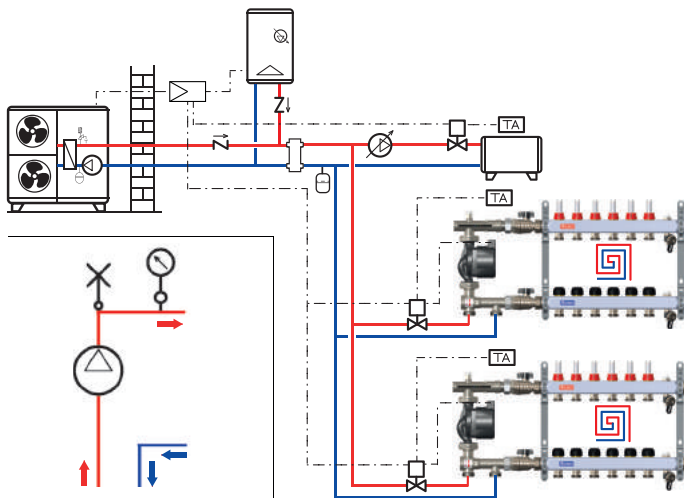
99B

Safety thermostat kit for distribution and regulating recessed groups 27B.N-29B.N-30B.N. Normally closed with 55 °C setting, pre-wired box.



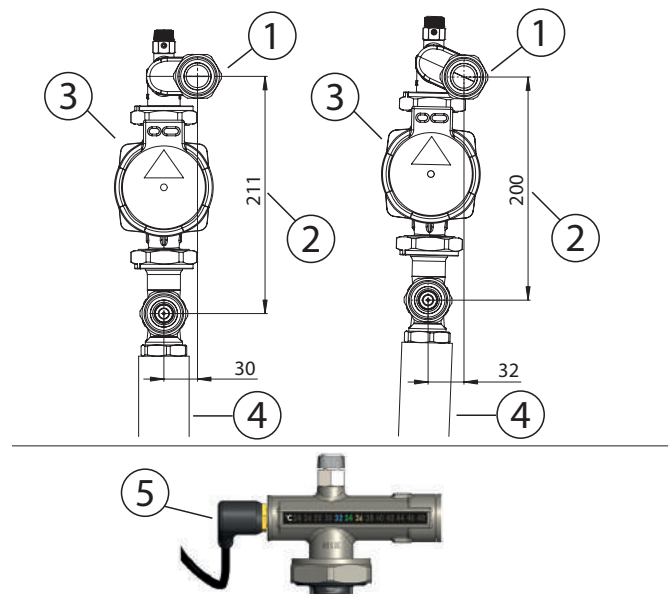
Code			€
99B 004 005 2	1	-	-

Group 30B.N with heat pump for heating-cooling combined with a boiler/ Hydraulic diagram



The 30B.N group supplies water to the terminals in a direct way, without performing any thermal regulation. Therefore it can be coupled to generators with integrated temperature regulation (heat pumps, boilers etc.).

30B.N: offset fitting, adjustable centre distance/Connection of the 99B safety thermostat



The offset fitting (1) allows the connection of the group to manifolds with 200-211 mm centre distance (2), the installation of the group in vertical position (3) to make easier the connection with the primary pipes arriving from the bottom (4). The M4 threaded connection allows the installation of protection and control devices such as the 99B series optional safety thermostat kit (5).

29B.N

Recessed regulating group with thermostatic mixing valve 30–60 °C. Fitted to install a primary and a secondary manifold aligned. The group is supplied with temperature gauge and integrated air vent. Version without pump on request.

Temperature adjustment range: 30–60 °C

Max working temperature: 90 °C

Max working pressure: 10 bar

Main connection centre distance: 211 mm

Connection centre distance to secondary manifold: 211 mm

Flow coefficient Kv of the mixing valve only



Code	Size	Kv	Pump	Pump code			€
29B 040 N3P 1	G 1 M	3,5	wilo Para 25-130/7-50/SC-12	29A.040	-	1	-
29B 040 N3T 1	G 1 M	3,5	GRUNDFOS UPM3 AUTO 25-70 130	31AK	-	1	-
29B 040 N3M 1	G 1 M	3,5	GRUNDFOS (Extra EU) UPSO 25-65 130	01A.40	-	1	-
29B 040 N3X 1	G 1 M	3,5	WITHOUT PUMP	-	1	6	-

99B

Safety thermostat kit for distribution and regulating recessed groups 27B.N-29B.N-30B.N. Normally closed with 55 °C setting, pre-wired box.

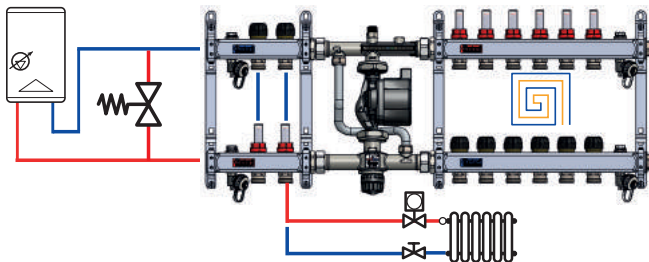


Code

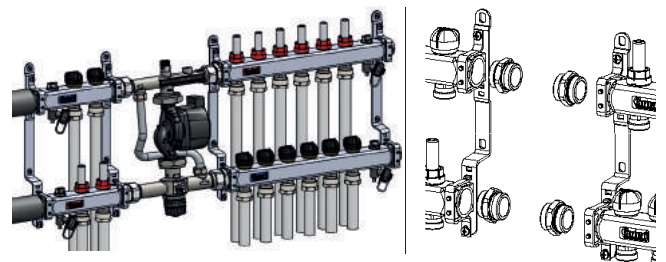
		€
1	-	-

99B 004 005 2

29B.N: diagram with radiators and radiant panel system

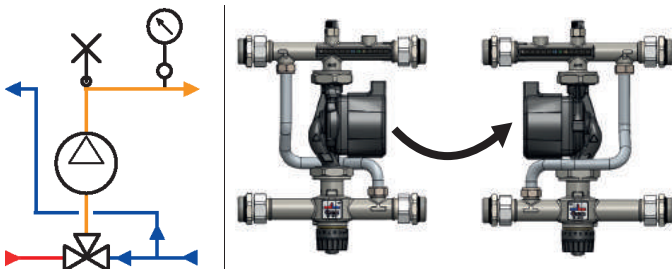


29B.N: manifold alignment/Fast fittings for manifolds



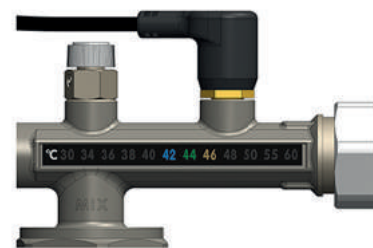
The 29B.N group allows the easy installation also of a primary distribution manifold for high temperature. The 211 mm centre distance both for the primary (radiators) and secondary (radiant panels) manifold makes possible to align the manifold thus obtaining a tidy installation.

29B.N: hydraulic diagram/Immediate reversibility



The hydraulic diagram shows the flow directions/The group can be immediately reversed from right to left to exchange the position of the primary with the secondary manifold.

Connection of the 99B safety thermostat



The M4 threaded connection allows the installation of protection and control devices such as the 99B series optional safety thermostat kit.

28B.N

Compact UFH regulating group, for single room, with thermostatic mixing valve 30–65 °C. The group is supplied with control thermostat and wall mounting bracket.

Temperature adjustment range: **30–65 °C**

Max working temperature: **90 °C**

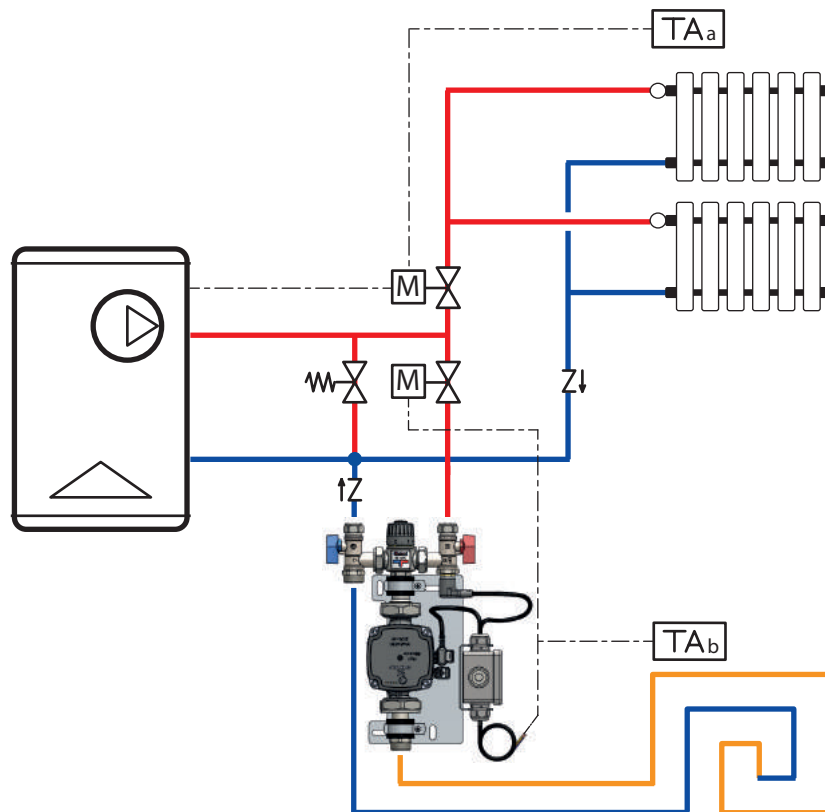
Max working pressure: **10 bar**

Flow coefficient *Kv* of the mixing valve only



Code	Size	Kv	Pump	Pump code		€
28B 040 N2T	15 mm - G 3/4 F	2,3	GRUNDFOS UPM3 AUTO 25-70 130	31AK	1	-

28B.N: use as compact thermostatic group for system extension (single room)



99B.03

Spare kit for 28B.N group with normally open control thermostat with 42 °C setting, pre-wired box to supply the pump.



Code	Cable for pump			€
99B 004 003 0	Grundfos UPM3	1	-	-

17B.N-17B.1.N

Recessed regulating group with thermostatic mixing valve. The group is supplied with temperature gauge in a single bag and integrated air vent. Complete with fittings for manifold connection and elbow fitting for primary circuit connection. Yellow versions on request.

Max working temperature: **90 °C**

Max working pressure: **10 bar**

Connection centre distance to secondary manifold: **211 mm**

Flow coefficient Kv of the mixing valve only

Code	Size	Kv	Pump	Pump code	°C			€
17B 040 NOP	Rp 3/4 - G 1 M	3,5	wilo Para 25-130/7-50/SC-12	29A.040	30-60	-	1	-
17B 040 NOT	Rp 3/4 - G 1 M	3,5	GRUNDFOS UPM3 AUTO 25-70 130	31AK	30-60	-	1	-
17B 040 N00	Rp 3/4 - G 1 M	3,5	GRUNDFOS (Extra EU) UPSO 25-65 130	01A.40	30-60	-	1	-
17B 040 NOX	Rp 3/4 - G 1 M	3,5	WITHOUT PUMP	-	30-60	1	5	-
17B 040 N1P	Rp 3/4 - G 1 M	3,5	wilo Para 25-130/7-50/SC-12	29A.040	25-50	-	1	-
17B 040 N1T	Rp 3/4 - G 1 M	3,5	GRUNDFOS UPM3 AUTO 25-70 130	31AK	25-50	-	1	-
17B 040 N10	Rp 3/4 - G 1 M	3,5	GRUNDFOS (Extra EU) UPSO 25-65 130	01A.40	25-50	-	1	-
17B 040 N1X	Rp 3/4 - G 1 M	3,5	WITHOUT PUMP	-	25-50	1	5	-



18B.N-18B.1.N

Recessed regulating group with thermostatic mixing valve and differential by-pass (setting 2-6,5 m w.g.). The group is supplied with temperature gauge in a single bag and integrated air vent. Complete with fittings for manifold connection and elbow fitting for primary circuit connection. Yellow versions on request.

Max working temperature: **90 °C**

Max working pressure: **10 bar**

Connection centre distance to secondary manifold: **211 mm**

Flow coefficient Kv of the mixing valve only

Code	Size	Kv	Pump	Pump code	°C			€
18B 040 NOP	Rp 3/4 - G 1 M	3,5	wilo Para 25-130/7-50/SC-12	29A.040	30-60	-	1	-
18B 040 NOT	Rp 3/4 - G 1 M	3,5	GRUNDFOS UPM3 AUTO 25-70 130	31AK	30-60	-	1	-
18B 040 N00	Rp 3/4 - G 1 M	3,5	GRUNDFOS (Extra EU) UPSO 25-65 130	01A.40	30-60	-	1	-
18B 040 NOX	Rp 3/4 - G 1 M	3,5	WITHOUT PUMP	-	30-60	1	5	-
18B 040 N1P	Rp 3/4 - G 1 M	3,5	wilo Para 25-130/7-50/SC-12	29A.040	25-50	-	1	-
18B 040 N1T	Rp 3/4 - G 1 M	3,5	GRUNDFOS UPM3 AUTO 25-70 130	31AK	25-50	-	1	-
18B 040 N10	Rp 3/4 - G 1 M	3,5	GRUNDFOS (Extra EU) UPSO 25-65 130	01A.40	25-50	-	1	-
18B 040 N1X	Rp 3/4 - G 1 M	3,5	WITHOUT PUMP	-	25-50	1	5	-



07B.N

Differential by-pass kit - setting 2-6,5 m w.g.. Yellow versions on request.

Max working temperature: **95 °C**

Max working pressure: **10 bar**

Connection centre distance to group: **211 mm**

Code	Size		€
07B 015 N00	15 mm - G 3/4 M - Rp 3/4	15	-



08M

Stainless steel flow+return distribution manifold, preassembled. Manual air vent and drain cock. Main connection G 1 F. Flow manifold complete with flow rate regulators and flow meters, scale 0-5 l/min. Flow meters can be cleaned. Return manifold fitted for thermo-electric actuators. G 3/4 M eurocone outlets. Mounting brackets

Max working temperature: **70 °C**
 Max working pressure: **6 bar**
 Main connection centre distance: **211 mm**
 Outlet centre distance: **50 mm**
 Thermo-electric actuator: **M30x1,5 mm**

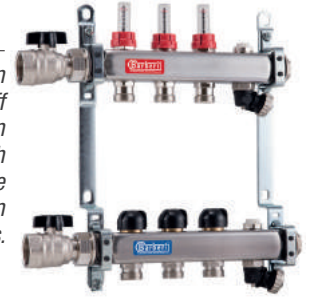


Code	Size	Nr. of zones		€
08M 025 N02	G 1 F - G 3/4 M	2	1	-
08M 025 N03	G 1 F - G 3/4 M	3	1	-
08M 025 N04	G 1 F - G 3/4 M	4	1	-
08M 025 N05	G 1 F - G 3/4 M	5	1	-
08M 025 N06	G 1 F - G 3/4 M	6	1	-
08M 025 N07	G 1 F - G 3/4 M	7	1	-
08M 025 N08	G 1 F - G 3/4 M	8	1	-
08M 025 N09	G 1 F - G 3/4 M	9	1	-
08M 025 N10	G 1 F - G 3/4 M	10	1	-
08M 025 N11	G 1 F - G 3/4 M	11	1	-
08M 025 N12	G 1 F - G 3/4 M	12	1	-

16M

Stainless steel flow+return distribution manifold, preassembled. Ball shut-off valves. Manual air vent and drain cock. Main connection G 1 F. Flow manifold complete with flow rate regulators and flow meters, scale 0-5 l/min. Flow meters can be cleaned. Return manifold fitted for thermo-electric actuators. G 3/4 M eurocone outlets. Mounting brackets

Max working temperature: **70 °C**
 Max working pressure: **6 bar**
 Main connection centre distance: **211 mm**
 Outlet centre distance: **50 mm**
 Thermo-electric actuator: **M30x1,5 mm**



Code	Size	Nr. of zones		€
16M 025 N02	G 1 F - G 3/4 M	2	1	-
16M 025 N03	G 1 F - G 3/4 M	3	1	-
16M 025 N04 TBS	G 1 F - G 3/4 M	4	1	-
16M 025 N05 TBS	G 1 F - G 3/4 M	5	1	-
16M 025 N06 TBS	G 1 F - G 3/4 M	6	1	-
16M 025 N07 TBS	G 1 F - G 3/4 M	7	1	-
16M 025 N08 TBS	G 1 F - G 3/4 M	8	1	-
16M 025 N09 TBS	G 1 F - G 3/4 M	9	1	-
16M 025 N10 TBS	G 1 F - G 3/4 M	10	1	-
16M 025 N11 TBS	G 1 F - G 3/4 M	11	1	-
16M 025 N12 TBS	G 1 F - G 3/4 M	12	1	-

07M

Stainless steel flow distribution manifold. Manual air vent and drain cock. Main connection G 1 F. Complete with flow rate regulators and flow meters, scale 0-5 l/min. Flow meters can be cleaned. G 3/4 M eurocone outlets

Max working temperature: **70 °C**
 Max working pressure: **6 bar**
 Outlet centre distance: **50 mm**



Code	Size	Nr. of zones		€
07M 025 N02	G 1 F - G 3/4 M	2	1	-
07M 025 N03	G 1 F - G 3/4 M	3	1	-
07M 025 N04	G 1 F - G 3/4 M	4	1	-
07M 025 N05	G 1 F - G 3/4 M	5	1	-
07M 025 N06	G 1 F - G 3/4 M	6	1	-
07M 025 N07	G 1 F - G 3/4 M	7	1	-
07M 025 N08	G 1 F - G 3/4 M	8	1	-
07M 025 N09	G 1 F - G 3/4 M	9	1	-
07M 025 N10	G 1 F - G 3/4 M	10	1	-
07M 025 N11	G 1 F - G 3/4 M	11	1	-
07M 025 N12	G 1 F - G 3/4 M	12	1	-

06M

Stainless steel return distribution manifold. Manual air vent and drain cock. Main connection G 1 F. Fitted for thermo-electric actuators - G 3/4 M eurocone outlets

Max working temperature: **70 °C**
 Max working pressure: **6 bar**
 Outlet centre distance: **50 mm**
 Thermo-electric actuator: **M30x1,5 mm**



Code	Size	Nr. of zones		€
06M 025 N02	G 1 F - G 3/4 M	2	1	-
06M 025 N03	G 1 F - G 3/4 M	3	1	-
06M 025 N04	G 1 F - G 3/4 M	4	1	-
06M 025 N05	G 1 F - G 3/4 M	5	1	-
06M 025 N06	G 1 F - G 3/4 M	6	1	-
06M 025 N07	G 1 F - G 3/4 M	7	1	-
06M 025 N08	G 1 F - G 3/4 M	8	1	-
06M 025 N09	G 1 F - G 3/4 M	9	1	-
06M 025 N10	G 1 F - G 3/4 M	10	1	-
06M 025 N11	G 1 F - G 3/4 M	11	1	-
06M 025 N12	G 1 F - G 3/4 M	12	1	-

V58

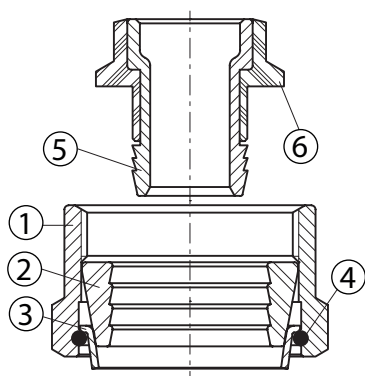
Compression fitting for PE-X and multilayer pipes. For heating and cooling circuits. Other sizes available on request.

Tightening torque: **15–20 N·m**
 Max working temperature: **90 °C**
 Max working pressure: **10 bar**



Code	Size	Pipe [mm]			€
V58 034 NEA	G 3/4 F	16x2	10	-	-
V58 034 NFA	G 3/4 F	17x2	10	-	-
V58 034 NHB	G 3/4 F	20x2,25	10	-	-

Fitting V58



Advantages and characteristics of V58 fittings for multilayer and PE-X pipes:

- Composed of two parts only: nut and reinforcing insert
- NBR gasket coupled to the reinforcing insert
- Pipe anti-torsion ring. The nut contains an elastic ring with a function similar to a ball bearing: when screwing the nut, the elastic ring avoids the pipe torsion thus making the installation easier and faster. The installation can be performed using one hand only.

- Components:

- 1) Nickel plated nut
- 2) Nylon bush
- 3) Steel pressing ring
- 4) Stainless steel anti-torsion elastic ring
- 5) Brass reinforcing insert
- 6) NBR gasket

V38.14

Pair of spare mounting brackets for stainless steel manifolds

Material: **zinc plated steel**



Code			€
V38 025 000 14	1	-	-

M20.C

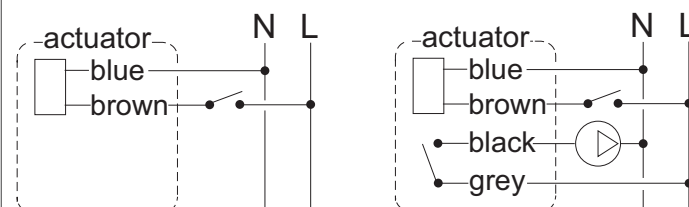
Thermo-electric actuator with open position indicator, adaptor and rapid connection. Normally closed. Auxiliary microswitch (only in 4 pole version), IP 54, 1 m cable.



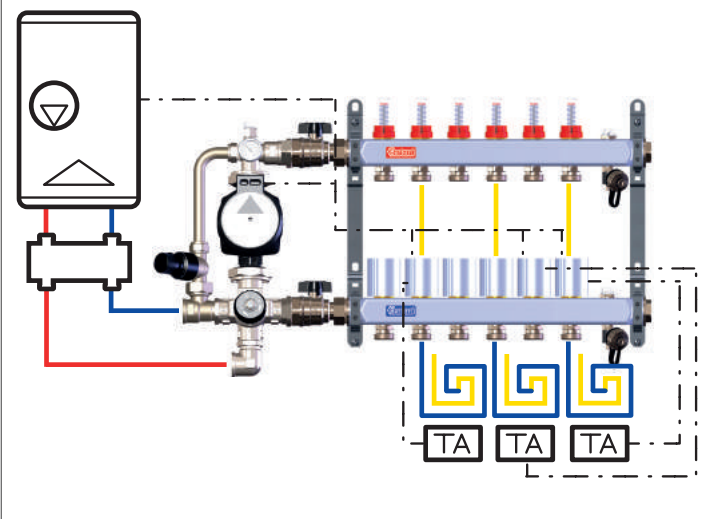
Protection class: **IP 54**
 Frequency: **50–60 Hz**
 Inrush current: **max 550 mA**
 Power consumption: **1 W**
 Aux. microswitch contact rating: **5 (1) A**
 Ambient temperature: **0–60 °C**

Code	Size	V	Nr. poles	Cable [m]			€
M20 011 AOC	M30x1,5	230	2	1	1	25	-
M20 011 BOC	M30x1,5	230	4	1	1	20	-

Wiring diagram M20.C, 2 poles and 4 poles (aux. microswitch)



18B.N group with 16M manifolds equipped with M20.C thermo-electric actuators.



630.1.2.N

4-way thermostatic mixing valve with 90° inlets - pump connection - Kv 3,5 - range 30–60 °C - flat gasket - nickel plated

Flow coefficient: **Kv 3,5**
 Temperature adjustment range: **30–60 °C**
 Max working temperature: **90 °C**
 Max working pressure: **10 bar**



Code	Size			€
630 A20 N00 1	Rp 3/4 - G 1 1/2 RN	1	10	-

630.101.N

4-way thermostatic mixing valve with 90° inlets - pump connection - Kv 3,5 - range 25–50 °C - flat gasket - nickel plated

Flow coefficient: **Kv 3,5**
 Temperature adjustment range: **25–50 °C**
 Max working temperature: **90 °C**
 Max working pressure: **10 bar**



Code	Size			€
630 A20 N10 1	Rp 3/4 - G 1 1/2 RN	1	10	-

05B

Manual air vent with PTFE seal - nickel plated

Max working temperature: **95 °C**
 Max working pressure: **6 bar**
 Fully open length: **32 mm**
 Fully closed length: **29 mm**



Code	Size			€
05B 008 N03	G 1/4 M	10	200	-

P83

Manual air vent with adjustable drain position - nickel plated

Max working temperature: **95 °C**
 Max working pressure: **6 bar**



Code	Size			€
P83 015 N00	G 1/2 M	2	-	-

P90.1

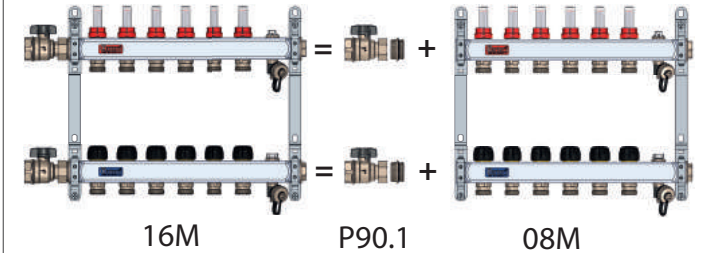
Kit with ball shut-off valve with running nut and flat gasket and fitting for distribution manifolds

Max working temperature: **95 °C**
 Max working pressure: **10 bar**



Code	Size			€
P90 025 N00 1	G 1 F - G 1 M	2	24	-

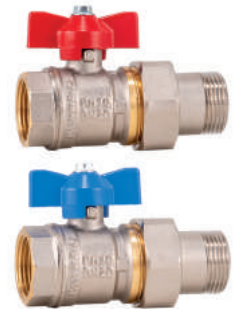
P90.1: combined with 08M manifold it forms the 16M manifold



P91.0

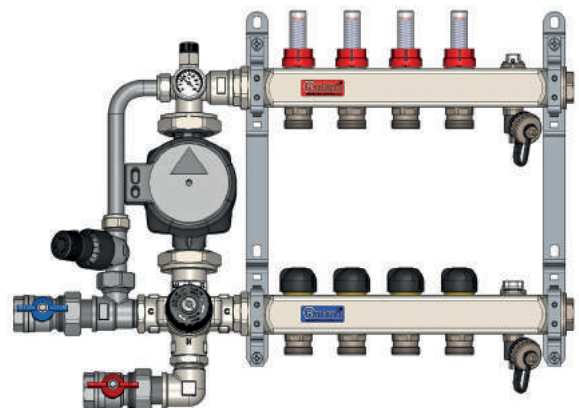
Pair of ball shut-off valves. Red and blue handle, with female and union connections.

Working temperature range: **-20–120 °C**
 Max working pressure: **30 bar**



Code	Size	Knob colour			€
P91 020 N01 01	G 3/4 F - G 3/4 M	red/blu	10	20	-

P91.0: use as primary shut-off valves for 17B.N and 18B.N groups



05BI

Axial temperature gauge with O-Ring

Scale: **0-80 °C**
 Diameter: **32 mm**
 Stem diameter: **5 mm**
 Stem total length: **11 mm**
 O-Ring: **EPDM**



Code			€
05B 015 004 I	1	10	-

16B.N

MM running fitting with integrated O-Ring - nickel plated

Max working temperature: **95 °C**
 Max working pressure: **10 bar**



Code	Size			€
16B 025 N00 1	G 3/4 M - G 1 M	25	100	-

P30

Spare flow meter for flow manifold. Scale 0-5 l/min. For stainless steel 08M, 16M, 07M manifolds.

Max working temperature: **70 °C**
 Max working pressure: **6 bar**



Code	Size			€
P30 015 N00 1I	G 1/2 M	1	-	-

P29

Spare shut-off headwork for return manifold. Fitted for thermo-electric actuator. For stainless steel 08M, 16M, 06M manifolds.

Max working temperature: **70 °C**
 Max working pressure: **6 bar**
 Thermo-electric actuator: **M30x1,5 mm**



Code	Size			€
P29 015 000 1I	G 1/2 M	1	-	-

617.1.N

Differential by-pass valve with compression end and running nut - setting 2-6,5 m w.g. - nickel plated. Complete with flat gaskets

Max working temperature: **90 °C**
 Max working pressure: **10 bar**
 Connection distance: **55 mm**



Code	Size			€
617 015 N00 1	G 3/4 RN - 15 mm	1	40	-

Y47.N

Automatic air vent (compact version) - nickel plated

Max working temperature: **95 °C**
 Max working pressure: **10 bar**



Code	Size			€
Y47 015 N00	G 1/2 M	10	100	-



NUMBER OF PIECES IN BOX



NUMBER OF PIECES IN CARTON



ARTICLE THE BEST SELLER



NEW ARTICLE



31AK

Spare pump Grundfos UPM3 AUTO 25-70 130 with high efficiency (EEI<0,20). Complete with 3 pole cable.

Max head: **7 m w.g.**
 Max working temperature: **100 °C**
 Max working pressure: **10 bar**
 Centre distance: **130 mm**



Code	Size	Nr. poles	Cable [m]	€
31A 040 070 BK	G 1 1/2 M	3	1	-

14D.2

3 pole cable with 90° rapid connector for UPM3 AUTO, UPM3 AUTO L and UPM3 solar pumps



Code	Nr. poles	Cable [m]	€
14D 100 002	3	1	-

29A.40

Spare pump Wilo Para with high efficiency (EEI<0,20). With 1 m cable

Max head: **7,7 m w.g.**
 Max working temperature: **100 °C**
 Max working pressure: **10 bar**
 Centre distance: **130 mm**



Code	Size	Pump	Cable [m]	€
29A 040 070 BK	G 1 1/2 M	Para 25-130/7-50/SC-12	1	-

14D.5

3 pole cable with 90° rapid connector for Wilo Para



Code	Nr. poles	Cable [m]	€
14D 100 005	3	1	-

01A.40

Spare pump Grundfos UPS0 25-65 130 with 3 constant speeds (Extra EU)

Max head: **6,5 m w.g.**
 Max working temperature: **100 °C**
 Max working pressure: **10 bar**
 Centre distance: **130 mm**



Code	Size	€
01A 040 065 B	G 1 1/2 M	-

P39

Standard safety relief valve for heating systems

Opening overpressure: **10%**
 Reseating pressure: **-20%**
 Outflow coefficient: **K=0,05**
 Max working temperature: **160 °C**
 Max working pressure: **10 bar**
 Suitable fluids: **water, glycol solutions (max 50%)**

2014/68/EU PED



Code	Size	Setting [bar]			€
P39 015 000 3	G 1/2 F - G 3/4 F	3	10	40	-
P39 015 000 6	G 1/2 F - G 3/4 F	6	10	40	-

69C

Automatic filling unit, inspectable. Complete with cock, filter, check valve. Code 69C0150001 complete with pressure gauge.

Downstream setting pressure: **1-4 bar**
 Factory setting: **1,5 bar**
 Max upstream pressure: **16 bar**
 Max working temperature: **80 °C**
 Max working pressure: **10 bar**
 Pressure gauge scale: **0-6 bar**



Code	Size			€
69C 015 000 NEW	G 1/2 M - G 1/2 F	1	-	-
69C 015 000 1 NEW	G 1/2 M - G 1/2 F	1	-	-

55D

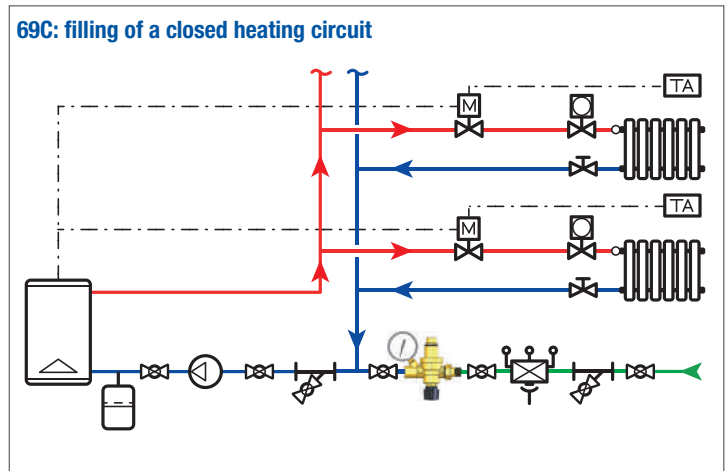
Radial pressure gauge

Pressure gauge scale: **0-6 bar**
 Diameter: **64 mm**
 Stem total length: **20 mm**



Code	Size			€
55D 008 000 NEW	G 1/4 M	-	-	-

69C: filling of a closed heating circuit

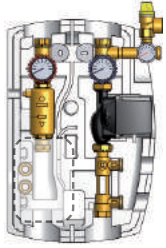


COMPONENTS
FOR THERMAL
SOLAR SYSTEM

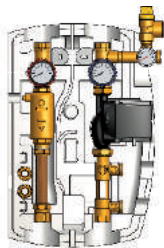
B4



FLOW AND RETURN GROUPS: VERSIONS



Without copper pipe
07S



Complete with copper pipe
01S



AVAILABLE CONTROLLERS



Without controller



SOREL
09S-28S



SEITRON
12S-27S

CIRCULATORS



Grundfos UPM3 Solar 15-75
with high efficiency



Grundfos Solar 15-65 (Extra EU)
Grundfos Solar 15-70 (Extra EU)



GPA 20-7,5 III 130
with high efficiency

FLOW RATE REGULATORS WITH FLOW METER



0,5–15 l/min
3–35 l/min

ACCESSORIES



12D



15D



18D



30D

CONNECTION TYPES



G 3/4 M



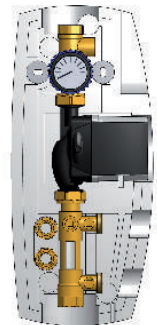
G 3/4 F



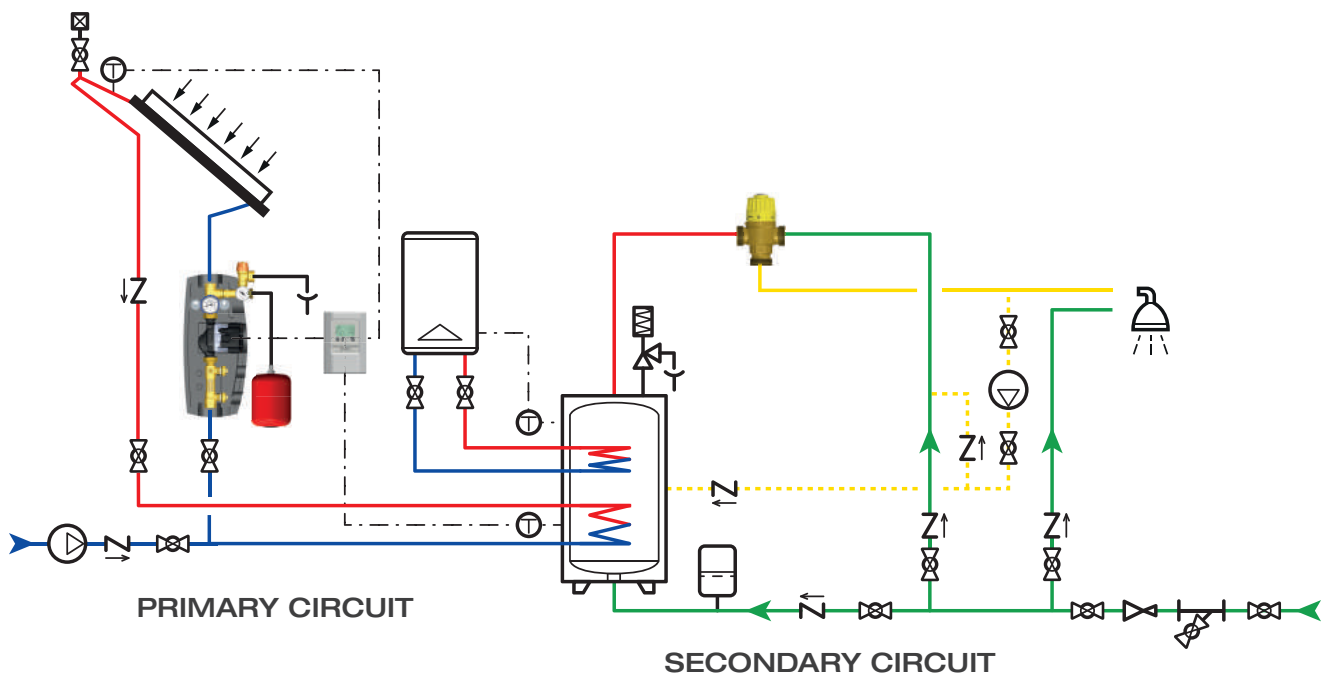
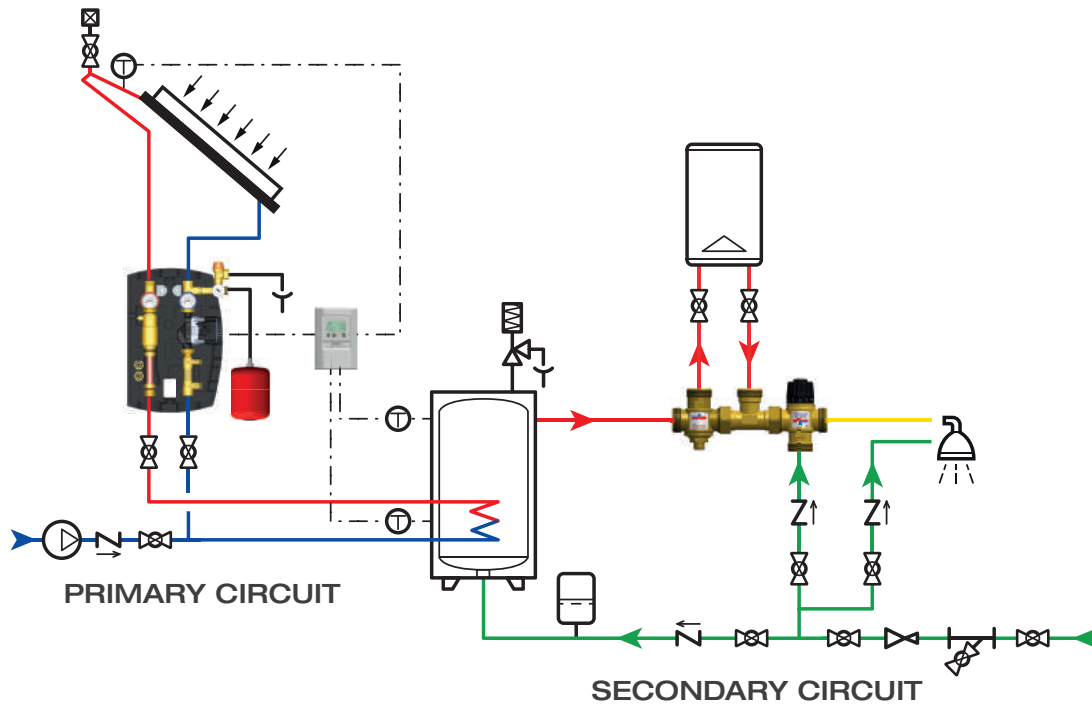
RETURN ONLY GROUPS: VERSIONS



Complete
05S



Without safety group
21S



GPA III

HIGH EFFICIENCY



HIGH EFFICIENCY
 $EEL \leq 0,20$



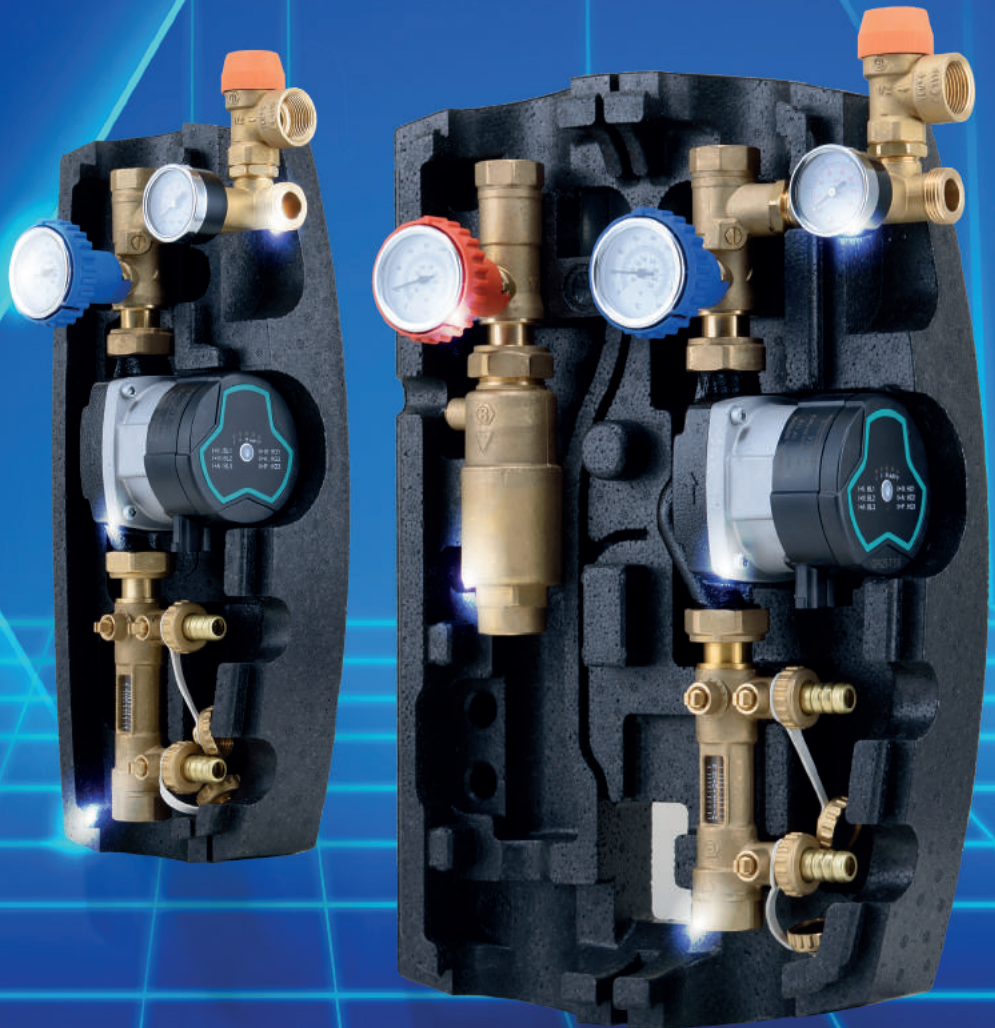
2 PWM SIGNALS



12 TOTAL WORKING
MODES



PWM CABLE
SUPPLIED AS
STANDARD



NEW PUMP

ALL THE SOLAR GROUPS ALSO WITH GPA PUMP

GPA

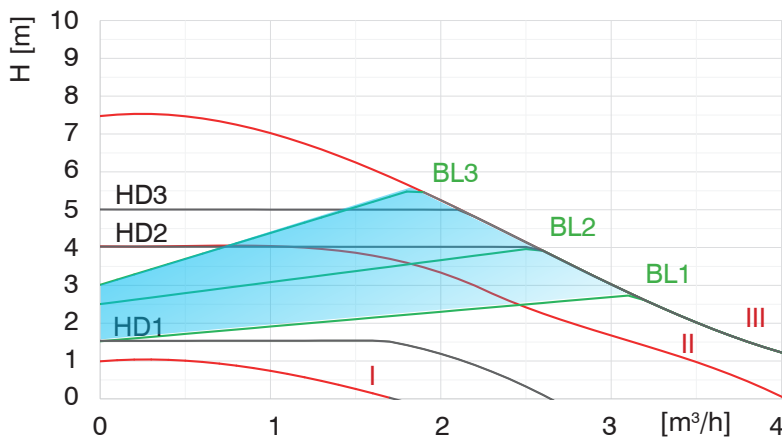
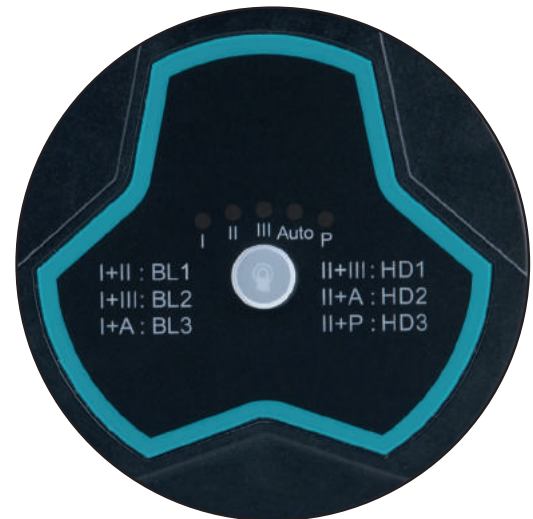


PUMP GPA 20-7,5 III 130

- 1) Pump
- 2) Electric supply cable
- 3) PWM cable



- I
- II
- III
- Auto
- I+II: BL1
- I+III: BL2
- I+A: BL3
- II+III: HD1
- II+A: HD2
- II+P: HD3
- P: PWM 1
- I+II+III+A+P: PWM 2



Features

- 1) High efficiency with $EEL \leq 0,20$
- 2) 12 working modes:
 - 3 constant velocities
 - 3 proportional pressure curves
 - 3 constant pressure curves
 - 1 autoadapt mode
 - 2 PWM mode
- 3) PWM 1 for heating, PWM 2 for solar (factory setting)
- 4) Maximum head 7,5 m w.g.
- 5) PWM cable supplied as standard
- 6) For solar and heating systems
- 7) G 1 M connections, 130 mm centre distance

07S

Pump station for solar thermal systems. Composed of return and flow connection without copper pipe. On request versions with compression fittings for copper pipes.

Safety relief valve setting: **6 bar**

Max working temperature: **110 °C**

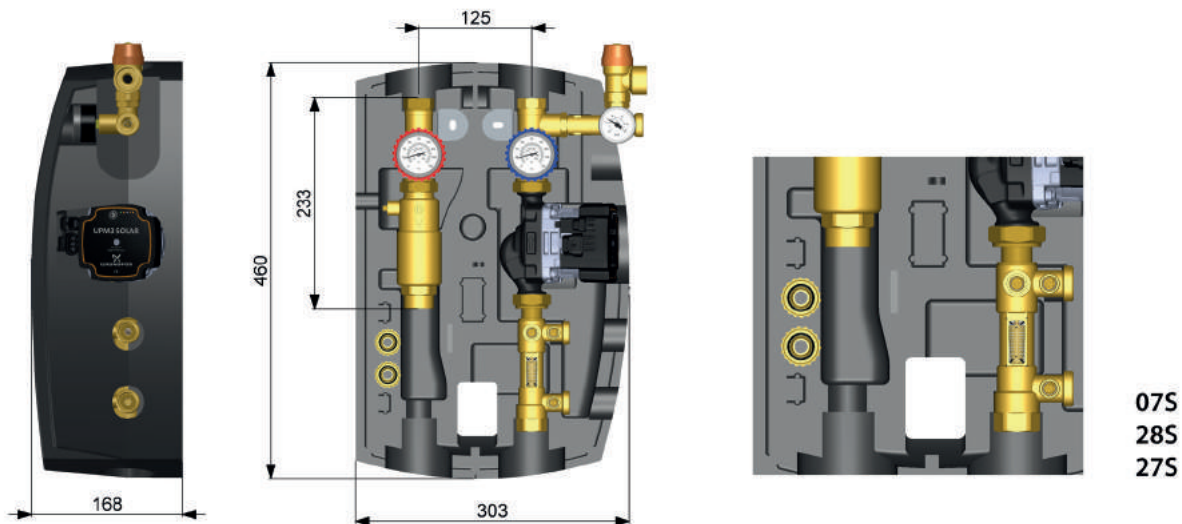
Max working pressure: **10 bar**

Connection centre distance: **125 mm**



Code	Size	Pump	Pump code	l/min	Controller		€
07S 020 OAU	G 3/4 F - G 3/4 F	GRUNDFOS UPM3 Solar 15-75 130	22AK	0,5-15	-	1	-
07S 020 OAS NEW	G 3/4 F - G 3/4 F	GPA GPA 20-7,5 III 130	45AK	0,5-15	-	1	-
07S 020 OAG	G 3/4 F - G 3/4 F	GRUNDFOS (Extra EU) Solar 15-65 130	04AK.65	0,5-15	-	1	-
07S 020 OAX TBS	G 3/4 F - G 3/4 F	WITHOUT PUMP	-	0,5-15	-	1	-
07S 020 OBU	G 3/4 F - G 3/4 F	GRUNDFOS UPM3 Solar 15-75 130	22AK	3-35	-	1	-
07S 020 OBS NEW	G 3/4 F - G 3/4 F	GPA GPA 20-7,5 III 130	45AK	3-35	-	1	-
07S 020 OBA	G 3/4 F - G 3/4 F	GRUNDFOS (Extra EU) Solar 15-70 130	04AK.70	3-35	-	1	-
07S 020 OBX	G 3/4 F - G 3/4 F	WITHOUT PUMP	-	3-35	-	1	-
07S 020 OAU M	G 3/4 M - G 3/4 M	GRUNDFOS UPM3 Solar 15-75 130	22AK	0,5-15	-	1	-
07S 020 OAS M NEW	G 3/4 M - G 3/4 M	GPA GPA 20-7,5 III 130	45AK	0,5-15	-	1	-
07S 020 OAG M	G 3/4 M - G 3/4 M	GRUNDFOS (Extra EU) Solar 15-65 130	04AK.65	0,5-15	-	1	-
07S 020 OAX M	G 3/4 M - G 3/4 M	WITHOUT PUMP	-	0,5-15	-	1	-
07S 020 OBU M	G 3/4 M - G 3/4 M	GRUNDFOS UPM3 Solar 15-75 130	22AK	3-35	-	1	-
07S 020 OBS M NEW	G 3/4 M - G 3/4 M	GPA GPA 20-7,5 III 130	45AK	3-35	-	1	-
07S 020 OBA M	G 3/4 M - G 3/4 M	GRUNDFOS (Extra EU) Solar 15-70 130	04AK.70	3-35	-	1	-
07S 020 OBX M	G 3/4 M - G 3/4 M	WITHOUT PUMP	-	3-35	-	1	-

Dimensions of groups without copper pipe (07S-28S-27S) - Detail of groups without copper pipe



01S

Pump station for solar thermal systems. Composed of return and flow connection with copper pipe. On request versions with compression fittings for copper pipes.

Safety relief valve setting: **6 bar**

Max working temperature: **110 °C**

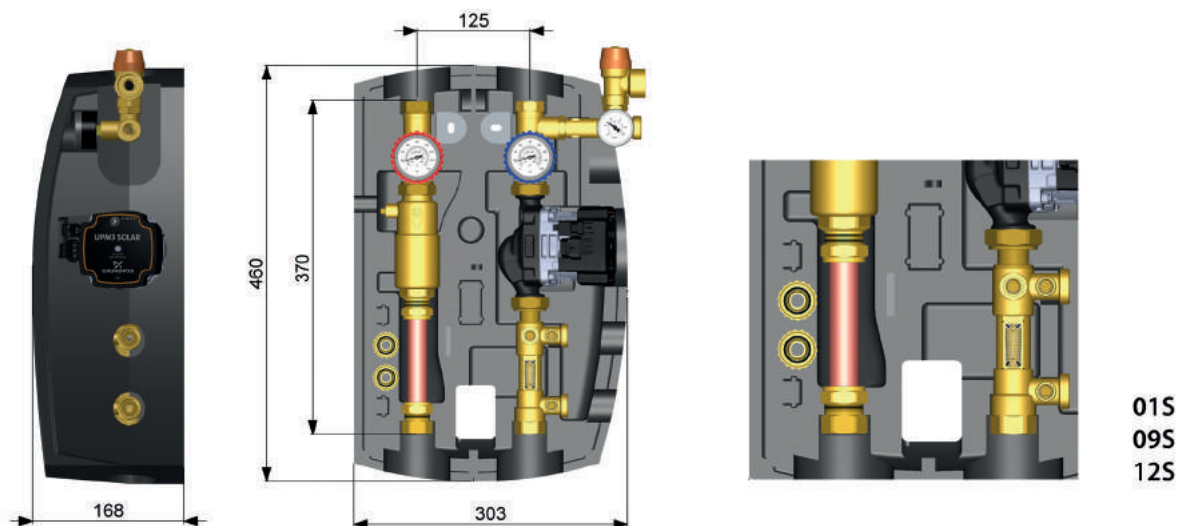
Max working pressure: **10 bar**

Connection centre distance: **125 mm**



Code	Size	Pump	Pump code	l/min	Controller		€
01S 020 OAU	G 3/4 F - G 3/4 F	GRUNDFOS UPM3 Solar 15-75 130	22AK	0,5-15	-	1	-
01S 020 OAS NEW	G 3/4 F - G 3/4 F	GPA GPA 20-7,5 III 130	45AK	0,5-15	-	1	-
01S 020 OAG	G 3/4 F - G 3/4 F	GRUNDFOS (Extra EU) Solar 15-65 130	04AK.65	0,5-15	-	1	-
01S 020 OAX	G 3/4 F - G 3/4 F	WITHOUT PUMP	-	0,5-15	-	1	-
01S 020 OBU	G 3/4 F - G 3/4 F	GRUNDFOS UPM3 Solar 15-75 130	22AK	3-35	-	1	-
01S 020 OBS NEW	G 3/4 F - G 3/4 F	GPA GPA 20-7,5 III 130	45AK	3-35	-	1	-
01S 020 OBA	G 3/4 F - G 3/4 F	GRUNDFOS (Extra EU) Solar 15-70 130	04AK.70	3-35	-	1	-
01S 020 OBX	G 3/4 F - G 3/4 F	WITHOUT PUMP	-	3-35	-	1	-
01S 020 OAU M	G 3/4 M - G 3/4 M	GRUNDFOS UPM3 Solar 15-75 130	22AK	0,5-15	-	1	-
01S 020 OAS M NEW	G 3/4 M - G 3/4 M	GPA GPA 20-7,5 III 130	45AK	0,5-15	-	1	-
01S 020 OAG M	G 3/4 M - G 3/4 M	GRUNDFOS (Extra EU) Solar 15-65 130	04AK.65	0,5-15	-	1	-
01S 020 OAX M	G 3/4 M - G 3/4 M	WITHOUT PUMP	-	0,5-15	-	1	-
01S 020 OBU M	G 3/4 M - G 3/4 M	GRUNDFOS UPM3 Solar 15-75 130	22AK	3-35	-	1	-
01S 020 OBS M NEW	G 3/4 M - G 3/4 M	GPA GPA 20-7,5 III 130	45AK	3-35	-	1	-
01S 020 OBA M	G 3/4 M - G 3/4 M	GRUNDFOS (Extra EU) Solar 15-70 130	04AK.70	3-35	-	1	-
01S 020 OBX M	G 3/4 M - G 3/4 M	WITHOUT PUMP	-	3-35	-	1	-

Dimensions of groups with copper pipe (01S-09S-12S) - Detail of groups with copper pipe



NUMBER OF PIECES IN BOX



NUMBER OF PIECES IN CARTON



ARTICLE THE BEST SELLER



NEW ARTICLE



28S-27S

Pump station for solar thermal systems with system controller. Composed of return and flow connection without copper pipe

Safety relief valve setting: **6 bar**

Max working temperature: **110 °C**

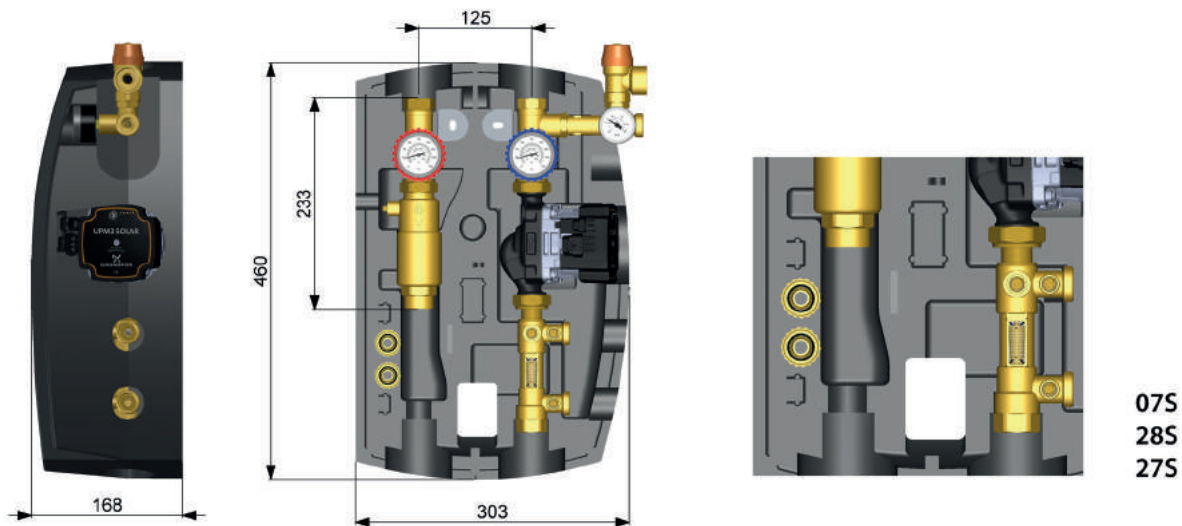
Max working pressure: **10 bar**

Connection centre distance: **125 mm**



Code	Size	Pump	Pump code	l/min	Controller		€
28S 020 OAU	G 3/4 F - G 3/4 F	GRUNDFOS UPM3 Solar 15-75 130	22AK	0,5-15	Sorel	1	-
28S 020 OAS	G 3/4 F - G 3/4 F	GPA GPA 20-7,5 III 130	45AK	0,5-15	Sorel	1	-
28S 020 OAG	G 3/4 F - G 3/4 F	GRUNDFOS (Extra EU) Solar 15-65 130	04AK.65	0,5-15	Sorel	1	-
28S 020 OAX	G 3/4 F - G 3/4 F	WITHOUT PUMP	-	0,5-15	Sorel	1	-
28S 020 OAU M	G 3/4 M - G 3/4 M	GRUNDFOS UPM3 Solar 15-75 130	22AK	0,5-15	Sorel	1	-
28S 020 OAS M	G 3/4 M - G 3/4 M	GPA GPA 20-7,5 III 130	45AK	0,5-15	Sorel	1	-
28S 020 OAG M	G 3/4 M - G 3/4 M	GRUNDFOS (Extra EU) Solar 15-65 130	04AK.65	0,5-15	Sorel	1	-
28S 020 OAX M	G 3/4 M - G 3/4 M	WITHOUT PUMP	-	0,5-15	Sorel	1	-
27S 020 OAU	G 3/4 F - G 3/4 F	GRUNDFOS UPM3 Solar 15-75 130	22AK	0,5-15	Seitron	1	-
27S 020 OAS	G 3/4 F - G 3/4 F	GPA GPA 20-7,5 III 130	45AK	0,5-15	Seitron	1	-
27S 020 OAG	G 3/4 F - G 3/4 F	GRUNDFOS (Extra EU) Solar 15-65 130	04AK.65	0,5-15	Seitron	1	-
27S 020 OAX	G 3/4 F - G 3/4 F	WITHOUT PUMP	-	0,5-15	Seitron	1	-
27S 020 OAU M	G 3/4 M - G 3/4 M	GRUNDFOS UPM3 Solar 15-75 130	22AK	0,5-15	Seitron	1	-
27S 020 OAS M	G 3/4 M - G 3/4 M	GPA GPA 20-7,5 III 130	45AK	0,5-15	Seitron	1	-
27S 020 OAG M	G 3/4 M - G 3/4 M	GRUNDFOS (Extra EU) Solar 15-65 130	04AK.65	0,5-15	Seitron	1	-
27S 020 OAX M	G 3/4 M - G 3/4 M	WITHOUT PUMP	-	0,5-15	Seitron	1	-

Dimensions of groups without copper pipe (07S-28S-27S) - Detail of groups without copper pipe



09S-12S

Pump station for solar thermal systems with system controller. Composed of return and flow connection with copper pipe

Safety relief valve setting: **6 bar**

Max working temperature: **110 °C**

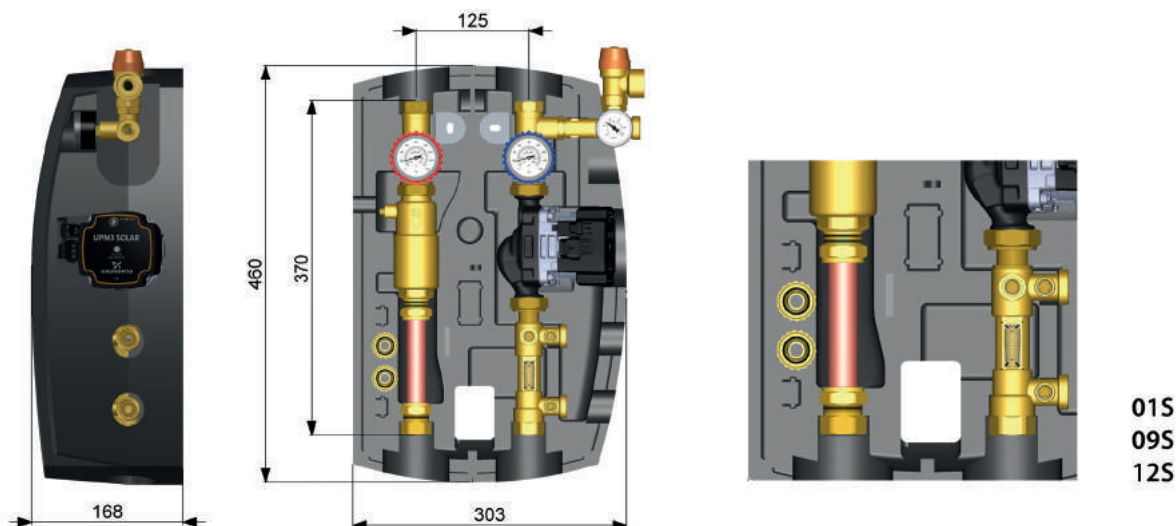
Max working pressure: **10 bar**

Connection centre distance: **125 mm**



Code	Size	Pump	Pump code	l/min	Controller		€
09S 020 OAU	G 3/4 F - G 3/4 F	GRUNDFOS UPM3 Solar 15-75 130	22AK	0,5-15	Sorel	1	-
09S 020 OAS	G 3/4 F - G 3/4 F	GPA GPA 20-7,5 III 130	45AK	0,5-15	Sorel	1	-
09S 020 OAG	G 3/4 F - G 3/4 F	GRUNDFOS (Extra EU) Solar 15-65 130	04AK.65	0,5-15	Sorel	1	-
09S 020 OAX	G 3/4 F - G 3/4 F	WITHOUT PUMP	-	0,5-15	Sorel	1	-
09S 020 OAU M	G 3/4 M - G 3/4 M	GRUNDFOS UPM3 Solar 15-75 130	22AK	0,5-15	Sorel	1	-
09S 020 OAS M	G 3/4 M - G 3/4 M	GPA GPA 20-7,5 III 130	45AK	0,5-15	Sorel	1	-
09S 020 OAG M	G 3/4 M - G 3/4 M	GRUNDFOS (Extra EU) Solar 15-65 130	04AK.65	0,5-15	Sorel	1	-
09S 020 OAX M	G 3/4 M - G 3/4 M	WITHOUT PUMP	-	0,5-15	Sorel	1	-
12S 020 OAU	G 3/4 F - G 3/4 F	GRUNDFOS UPM3 Solar 15-75 130	22AK	0,5-15	Seitron	1	-
12S 020 OAS	G 3/4 F - G 3/4 F	GPA GPA 20-7,5 III 130	45AK	0,5-15	Seitron	1	-
12S 020 OAG	G 3/4 F - G 3/4 F	GRUNDFOS (Extra EU) Solar 15-65 130	04AK.65	0,5-15	Seitron	1	-
12S 020 OAX	G 3/4 F - G 3/4 F	WITHOUT PUMP	-	0,5-15	Seitron	1	-
12S 020 OAU M	G 3/4 M - G 3/4 M	GRUNDFOS UPM3 Solar 15-75 130	22AK	0,5-15	Seitron	1	-
12S 020 OAS M	G 3/4 M - G 3/4 M	GPA GPA 20-7,5 III 130	45AK	0,5-15	Seitron	1	-
12S 020 OAG M	G 3/4 M - G 3/4 M	GRUNDFOS (Extra EU) Solar 15-65 130	04AK.65	0,5-15	Seitron	1	-
12S 020 OAX M	G 3/4 M - G 3/4 M	WITHOUT PUMP	-	0,5-15	Seitron	1	-

Dimensions of groups with copper pipe (01S-09S-12S) - Detail of groups with copper pipe



05S

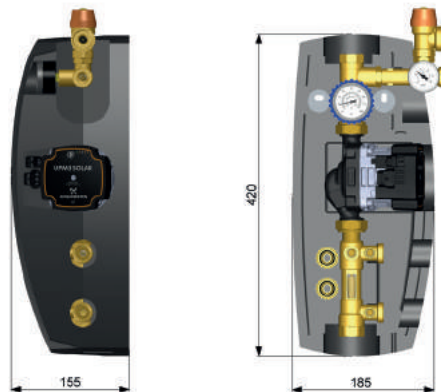
Pump station for solar thermal systems - only return line. On request versions with compression fittings for copper pipes.

Safety relief valve setting: **6 bar**
 Max working temperature: **110 °C**
 Max working pressure: **10 bar**



Code	Size	Pump	Pump code	l/min	Controller		€
05S 020 OAU	G 3/4 F - G 3/4 F	GRUNDFOS UPM3 Solar 15-75 130	22AK	0,5-15	-	1	-
05S 020 OAS NEW	G 3/4 F - G 3/4 F	GPA GPA 20-7,5 III 130	45AK	0,5-15	-	1	-
05S 020 OAG	G 3/4 F - G 3/4 F	GRUNDFOS (Extra EU) Solar 15-65 130	04AK.65	0,5-15	-	1	-
05S 020 OAX TBS	G 3/4 F - G 3/4 F	WITHOUT PUMP	-	0,5-15	-	1	-
05S 020 OBU	G 3/4 F - G 3/4 F	GRUNDFOS UPM3 Solar 15-75 130	22AK	3-35	-	1	-
05S 020 OBS NEW	G 3/4 F - G 3/4 F	GPA GPA 20-7,5 III 130	45AK	3-35	-	1	-
05S 020 OBA	G 3/4 F - G 3/4 F	GRUNDFOS (Extra EU) Solar 15-70 130	04AK.70	3-35	-	1	-
05S 020 OBX	G 3/4 F - G 3/4 F	WITHOUT PUMP	-	3-35	-	1	-
05S 020 OAU M	G 3/4 M - G 3/4 M	GRUNDFOS UPM3 Solar 15-75 130	22AK	0,5-15	-	1	-
05S 020 OAS M NEW	G 3/4 M - G 3/4 M	GPA GPA 20-7,5 III 130	45AK	0,5-15	-	1	-
05S 020 OAG M	G 3/4 M - G 3/4 M	GRUNDFOS (Extra EU) Solar 15-65 130	04AK.65	0,5-15	-	1	-
05S 020 OAX M	G 3/4 M - G 3/4 M	WITHOUT PUMP	-	0,5-15	-	1	-
05S 020 OBU M	G 3/4 M - G 3/4 M	GRUNDFOS UPM3 Solar 15-75 130	22AK	3-35	-	1	-
05S 020 OBS M NEW	G 3/4 M - G 3/4 M	GPA GPA 20-7,5 III 130	45AK	3-35	-	1	-
05S 020 OBA M	G 3/4 M - G 3/4 M	GRUNDFOS (Extra EU) Solar 15-70 130	04AK.70	3-35	-	1	-
05S 020 OBX M	G 3/4 M - G 3/4 M	WITHOUT PUMP	-	3-35	-	1	-

Dimensions of 05S group



33D

Solar thermal system controller with 3 temperature probes - 3 Input NTC, 2 Output on/off, 1 Output alarm, 1 Output PWM, 1 Output 0-10 V

Supply: **230 V - 50 Hz**
Protection class: **IP 40**
Preset programs: **6**
Supplied probes: **3 NTC 10K @ 25 °C ± 1%**
Working temperature range of probes: **-50-200 °C (blue), -50-110 °C (yellow)**



Code	Size	Controller			€
33D 000 000	L-H-D 155-110-30	Seitron TDST24M	1	-	-

34D

Solar thermal system controller with 3 temperature probes - 4 Input Pt1000, 2 Output on/off, 1 Output PWM or 0-10 V

Supply: **100-240 V - 50-60 Hz**
Protection class: **IP 40**
Preset programs: **27**
Supplied probes: **3 Pt 1000**
Optional probe: **1 Pt 1000**
Working temperature range of probes: **-40-300 °C**



Code	Size	Controller			€
34D 000 001	L-H-D 106-157-31	Sorel MTDC	1	-	-

14D.4

Spare probe Pt 1000, maximum temperature 180 °C.

Max working temperature: **180 °C (max. ohmic value in output)/220 °C (max fluid temperature)**



Code	Size	Cable [m]			€
14D 100 004 I	5,5 mm	2	-	-	-

14D.6

Spare probe NTC 10K @ 25 °C ± 1%, working temperature range -50-200 °C (blue).

Working temperature range of probes: **-50-200 °C (blue)**



Code	Size	Cable [m]			€
14D 100 006 I	6 mm	1,5	-	-	-

04D

Safety relief valve for primary circuit of solar thermal systems

Opening overpressure: **10%**
Reseating pressure: **-20%**
Outflow coefficient: **K=0,05**
Max working temperature: **160 °C**
Max working pressure: **10 bar**
Suitable fluids: **water, glycol solutions (max 50%)**
2014/68/EU PED

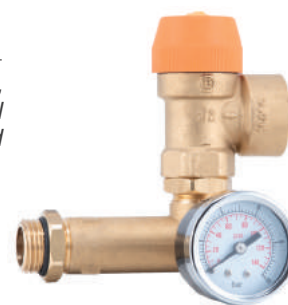


Code	Size	Setting [bar]			€
04D 015 000 3	G 1/2 F - G 3/4 F	3	-	50	-
04D 015 000 6	G 1/2 F - G 3/4 F	6	-	50	-

03D

Safety group composed of safety relief valve, pressure gauge (0-10 bar), expansion vessel connection, connection with O-Ring and locking nut

Opening overpressure: **10%**
Reseating pressure: **-20%**
Outflow coefficient: **K=0,05**
Max working temperature: **140 °C**
Max working pressure: **10 bar**
Suitable fluids: **water, glycol solutions (max 50%)**



Code	Size	Setting [bar]			€
03D 015 000 3	G 1/2 M - G 3/4 M	3	1	20	-
03D 015 000 6	G 1/2 M - G 3/4 M	6	1	20	-

12D

Fitting G 3/4 M with compression end, with assembled nut, olive and O-Ring (codes "XXX XXX XXX M" without compression fitting)

Max working temperature: **140 °C**
Max working pressure: **16 bar**



Code	Size			€
12D 015 000	15 mm - G 3/4 M	2	-	-
12D 015 000 M	G 1/2 M - G 3/4 M	2	-	-
12D 018 000	18 mm - G 3/4 M	2	-	-
12D 020 000 M	G 3/4 M - G 3/4 M	2	-	-
12D 022 000	22 mm - G 3/4 M	2	-	-
12D 025 000 M	G 1 M - G 3/4 M	2	-	-

30D

Expansion vessel for primary and secondary circuit of solar thermal systems. Versions with maximum pressure 10 bar have interchangeable membrane. Balloon (bladder) membrane

Max working temperature: **99 °C**
 Max working peak temperature: **130 °C (max 4 h/day)**
 Suitable fluids: **water, glycol solutions (max 50%)**
 Suitable for potable water



Code	Size	Litres	P [bar]		€
30D 020 006 12	G 3/4 M	12	8	1	-
30D 020 006 18	G 3/4 M	18	8	1	-
30D 020 006 25	G 3/4 M	25	8	1	-
30D 020 006 40	G 3/4 M	40	8	1	-
30D 020 008 12	G 3/4 M	12	10	1	-
30D 020 008 19	G 3/4 M	19	10	1	-
30D 020 008 25	G 3/4 M	25	10	1	-
30D 020 008 40	G 3/4 M	40	10	1	-

18D

Expansion vessel installation kit (hose, bracket, wall anchors and automatic shut-off valve 15D) - hose length 500 mm

Max working temperature: **140 °C**
 Max working pressure: **10 bar**



Code	Size			€
18D 020 000	G 3/4 F	-	15	-

18D.1

Expansion vessel installation kit (hose, bracket, wall anchors and automatic shut-off valve 15D) - hose length 730 mm

Max working temperature: **140 °C**
 Max working pressure: **10 bar**



Code	Size			€
18D 020 000 1	G 3/4 F	-	15	-

15D

Automatic shut-off valve for expansion vessel replacement

Max working temperature: **140 °C**
 Max working pressure: **10 bar**



Code	Size			€
15D 020 000	G 3/4 M - G 3/4 F	10	40	-

06D

Monobloc with pump connection (ball shut-off valve + temperature gauge + check valve + holes for brackets) - temperature gauge 0-160 °C (32-320 °F) - red knob

Max working temperature: **140 °C**
 Max working pressure: **10 bar**



Code	Size	Knob colour			€
06D 020 000 R	G 3/4 F - G 1 RN	red	-	24	-

07D

Monobloc with pump connection (ball shut-off valve + temperature gauge + check valve + holes for brackets + check valve override + side connection) - temperature gauge 0-160 °C (32-320 °F) - blue handle

Max working temperature: **140 °C**
 Max working pressure: **10 bar**



Code	Size	Knob colour			€
07D 020 000	G 1 RN - G 3/4 F	blue	-	24	-

02D-31D

Flow rate regulator DN 15 with glass measurement zone, 2 fill/drain connections with ball shut-off valves - flow rate regulation through ball valve

Max working temperature: **140 °C**

Max working pressure: **10 bar**



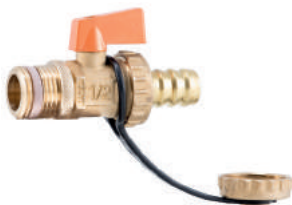
Code	Size	l/min			€
02D 015 000 PT	G 3/4 F - G 1 RN - G 3/4 M	0,5-15	1	20	-
02D 018 000 PT	18 mm - G 1 RN - G 3/4 M	0,5-15	1	20	-
02D 020 000 PTM	G 3/4 M - G 1 RN - G 3/4 M	0,5-15	1	20	-
02D 022 000 PT	22 mm - G 1 RN - G 3/4 M	0,5-15	1	20	-
31D 015 000 PT	G 3/4 F - G 1 RN - G 3/4 M	3-35	1	20	-

P32

Ball drain cock for solar thermal systems - with 15 mm hose connection and plug

Max working temperature: **150 °C**

Max working pressure: **16 bar**



Code	Size			€
P32 015 000	G 1/2 M	10	40	-

P71

Vertical manual deaerator

Max working temperature: **140 °C**

Max working pressure: **10 bar**



Code	Size			€
P71 020 000	G 1 M - G 3/4 F	1	28	-
P71 020 000 M	G 1 M - G 3/4 M	1	28	-
P71 022 000	G 1 M - 22 mm	1	28	-

005KV

Universal check valve - FF - brass obturator - viton gasket

Max working temperature: **150 °C**



Code	Size	P [bar]			€
005 008 000 KV	G 1/4 F	35	30	240	-
005 010 000 KV	G 3/8 F	35	30	240	-
005 015 000 KV	G 1/2 F	35	30	240	-
005 020 000 KV	G 3/4 F	35	18	144	-
005 025 000 KV	G 1 F	35	14	84	-
005 032 000 KV	G 1 1/4 F	25	12	72	-
005 040 000 KV	G 1 1/2 F	25	10	40	-
005 050 000 KV	G 2 F	25	6	36	-
005 065 000 KV	G 2 1/2 F	12	-	15	-
005 080 000 KV	G 3 F	12	-	12	-
005 100 000 KV	G 4 F	12	-	5	-

020KV

Universal check valve - FF - brass obturator - viton gasket - suitable for high pressure application

Max working temperature: **150 °C**



Code	Size	P [bar]			€
020 010 000 KV	G 3/8 F	50	24	192	-
020 015 000 KV	G 1/2 F	50	20	160	-
020 020 000 KV	G 3/4 F	50	12	96	-
020 025 000 KV	G 1 F	50	8	64	-
020 032 000 KV	G 1 1/4 F	35	8	48	-
020 040 000 KV	G 1 1/2 F	35	6	36	-
020 050 000 KV	G 2 F	35	5	20	-

11D.160

Axial temperature gauge

Scale: **0-160 °C / 32-320 °F**

Diameter: **51 mm**

Stem diameter: **5 mm**

Stem total length: **50,5 mm**



Code	Size			€
11D 015 000 160	Ø 51 mm	-	10	-

22AK

Spare pump Grundfos UPM3 Solar 25-75 130 with high efficiency (EEI<0,20). Complete with 3 pole cable.

Max head: **7,5 m w.g.**
 Max working temperature: **100 °C**
 Max working pressure: **10 bar**
 Centre distance: **130 mm**



Code	Size	Nr. poles	Cable [m]	€
22A 025 075 BK	G 1 M	3	1	-

14D.2

3 pole cable with 90° rapid connector for UPM3 AUTO, UPM3 AUTO L and UPM3 solar pumps



Code	Nr. poles	Cable [m]	€
14D 100 002	3	1	-

14D.3

Cable for PWM signal with rapid connector (Superseal type) for UPM3 solar pump



Code	Nr. poles	Cable [m]	€
14D 100 003	3	1	-

45AK

Spare pump GPA 20-7,5 III 130 with high efficiency (EEI<0,20). Complete with 3 pole cable and PWM cable.

Max head: **7,5 m w.g.**
 Max working temperature: **110 °C**
 Max working pressure: **10 bar**
 Centre distance: **130 mm**



Code	Size	Nr. poles	Cable [m]	€
45A 025 075 BK1 NEW	G 1 M	3	1	-

04AK.65

Spare pump Grundfos UPS (Extra EU) Solar 15-65 130 for solar thermal systems with 3 constant speeds. Complete with 3 pole cable.

Max head: **6,5 m w.g.**
 Max working temperature: **110 °C**
 Max working pressure: **10 bar**
 Centre distance: **130 mm**



Code	Size	Nr. poles	Cable [m]	€
04A 025 065 BK	G 1 M	3	1	-

04AK.70

Spare pump Grundfos UPS (Extra EU) Solar 15-70 130 for solar thermal systems with 3 constant speeds. Complete with 3 pole cable.

Max head: **7 m w.g.**
 Max working temperature: **110 °C**
 Max working pressure: **10 bar**
 Centre distance: **130 mm**



Code	Size	Nr. poles	Cable [m]	€
04A 025 070 BK	G 1 M	3	1	-

14D

3 pole cable with rapid connector for UPS solar pump



Code	Nr. poles	Cable [m]	€
14D 100 000	3	1	-

14D.17

3 pole cable with 90° rapid connector for GPA III pumps



Code	Nr. poles	Cable [m]	€
14D 100 017 NEW	3	1	-

14D.16

Cable for PWM signal with rapid connector (Superseal type) for GPA III pump



Code	Nr. poles	Cable [m]	€
14D 100 016 NEW	3	1	-

P04



Thermal solar system thermostatic mixing valve - antiscald - Kv 1,8 - range 30–65 °C

Flow coefficient: **Kv 1,8**

Temperature adjustment range: **30–65 °C**

Max working temperature: **110 °C**

Max working pressure: **10 bar**



Code	Size			€
P04 A20 000	G 3/4 M	1	20	-
P04 A25 000	G 1 M	1	20	-

P05



Thermal solar system thermostatic mixing valve - antiscald - Kv 2,3 - range 30–65 °C

Flow coefficient: **Kv 2,3**

Temperature adjustment range: **30–65 °C**

Max working temperature: **110 °C**

Max working pressure: **10 bar**



Code	Size			€
P05 A20 000	G 3/4 M	1	20	-
P05 A25 000	G 1 M	1	20	-

P04.L2



Thermal solar system thermostatic mixing valve - antiscald - Kv 1,8 - range 30–65 °C. Fittings and check valves insert unassembled (V38.04)

Flow coefficient: **Kv 1,8**

Temperature adjustment range: **30–65 °C**

Max working temperature: **110 °C**

Max working pressure: **10 bar**



Code	Size			€
P04 A20 000 L2	G 3/4 M	1	20	-
P04 A25 000 L2	G 1 M	1	20	-

P05.L2



Thermal solar system thermostatic mixing valve - antiscald - Kv 2,3 - range 30–65 °C. Fittings and check valve insert unassembled (V38.04)

Flow coefficient: **Kv 2,3**

Temperature adjustment range: **30–65 °C**

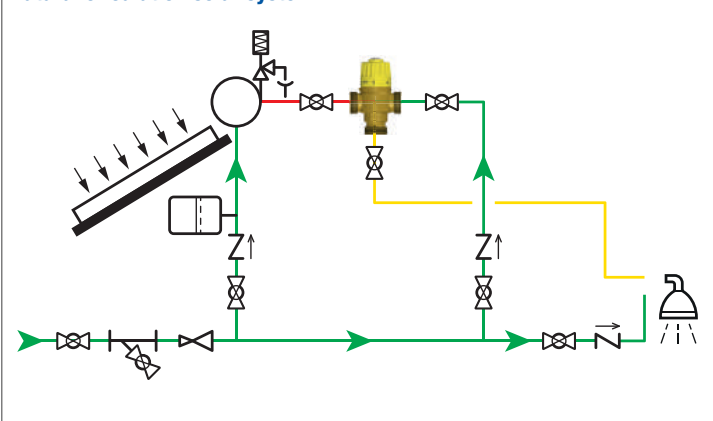
Max working temperature: **110 °C**

Max working pressure: **10 bar**

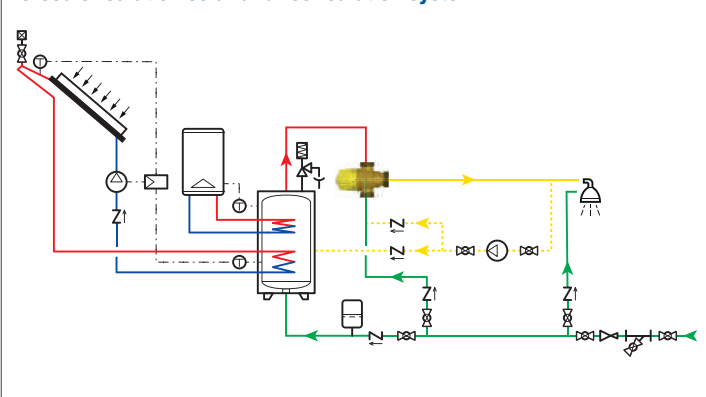


Code	Size			€
P05 A20 000 L2	G 3/4 M	1	20	-
P05 A25 000 L2	G 1 M	1	20	-

Natural circulation solar system



Forced circulation solar and recirculation system



V20



Solar-to-boiler thermal integration kit with thermostatic diverting valve and thermostatic mixing valve. For boiler with storage or boiler with instantaneous DHW production able to receive pre-heated water at the inlet.

Flow coefficient: **Kv 2**
 Temperature adjustment range: **35–60 °C**
 Diverting valve setting: **45 °C**
 Max working temperature: **95 °C**
 Max working pressure: **10 bar**



Code	Size			€
V20 M25 001	G 1 M	1	6	-

V20.L1



Solar-to-boiler thermal integration kit with thermostatic diverting valve and thermostatic mixing valve - 5 fittings and 3 check valves inserts. For boiler with storage or boiler with instantaneous DHW production able to receive pre-heated water at the inlet.

Flow coefficient: **Kv 2**
 Temperature adjustment range: **35–60 °C**
 Diverting valve setting: **45 °C**
 Max working temperature: **95 °C**
 Max working pressure: **10 bar**



Code	Size			€
V20 M25 001 L1	G 1 M	1	6	-

V20.L2



Solar-to-boiler thermal integration kit with thermostatic diverting valve and thermostatic mixing valve - 5 fittings P93. For boiler with storage or boiler with instantaneous DHW production able to receive pre-heated water at the inlet.

Flow coefficient: **Kv 2**
 Temperature adjustment range: **35–60 °C**
 Diverting valve setting: **45 °C**
 Max working temperature: **95 °C**
 Max working pressure: **10 bar**



Code	Size			€
V20 M25 001 L2	G 3/4 M	1	6	-

V20.1

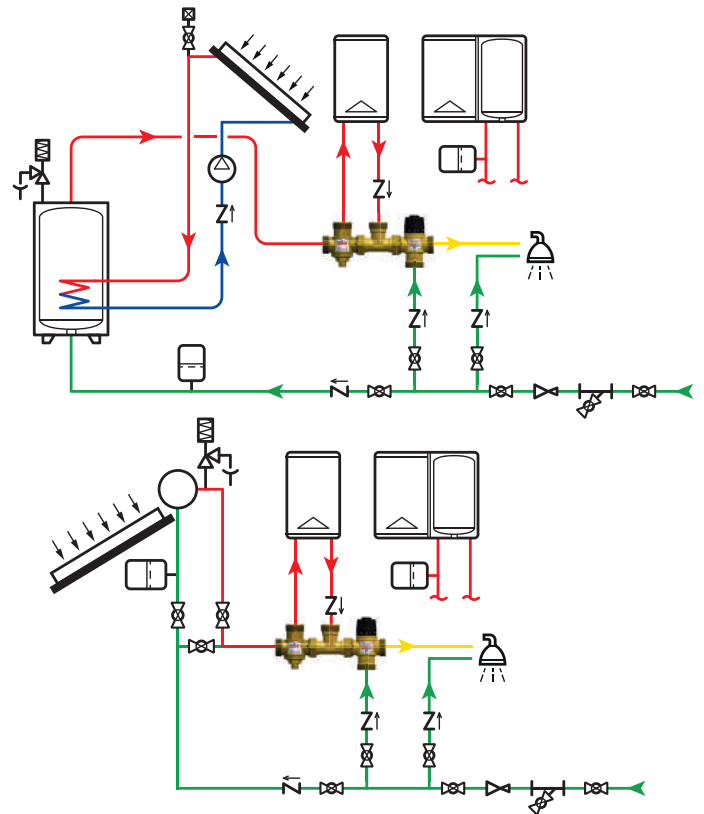


Insulation for solar-to-boiler integration kit V20, V20.L1, V20.L2

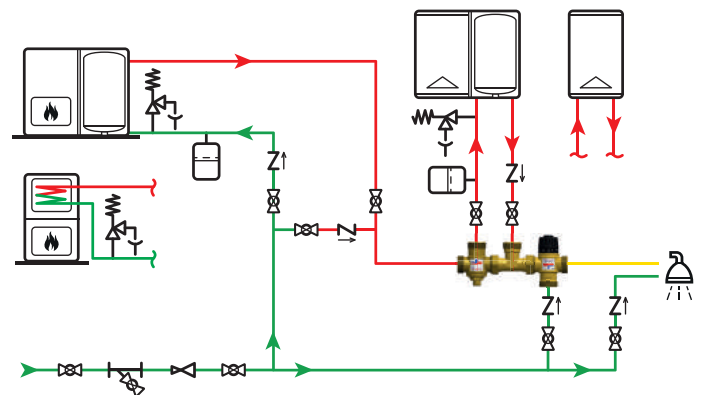
Max working temperature: **140 °C**

Code	Size			€
V20 000 001	225 mm x 100 mm	-	-	-

V20 for integration: forced circulation solar-to-boiler; natural circulation solar-to-boiler



V20 for biomass-to-boiler integration



ZONE AND DIVERTING VALVES

B5





GREEN DEAL SOLUTIONS



SIMPLE TECHNOLOGICAL AVANT-GUARDE
HIGH PERFORMANCE WITH THE LOWEST CONSUMPTION IN THE CATEGORY

BSS5

soft torque technology

NEW



ARP

AUTOMATIC RETURN in POSITION

ELECTRONIC EVOLUTION:

THE SPRING RETURN SYSTEMS GIVE WAY TO AN INNOVATIVE SYSTEM THAT MANAGES THE AUTOMATIC CLOSING THROUGH THE ELECTRONICS OF THE ACTUATOR.



soft torque technology

BARBERI PATENTED TECHNOLOGY:

THE COMBINATION BETWEEN DESIGN AND MATERIALS OF THE COMPONENTS INCREASES THE PRODUCT PERFORMANCE AND ITS LIFE OVER TIME.



DISCOVER MORE ON
www.barberi.it



NEW
TECHNICAL
FEATURES



ENERGY
SAVING



COMPACT
DESIGN



USER
FRIENDLY



FLEXIBLE
RANGE

BS5

soft torque technology



NEW SERIES BS5 2P

THE NEW 2 POINT BS5 SERIES REPLACES THE PREVIOUS 2-WAY AND 3-WAY Y SERIES.



**INTERCHANGEABLE
ACTUATOR
WITH Y SERIES**



ROTATION IN 8 S



**AUXILIARY
MICROSWITCH**



**MANUAL MODE - MID
POINT**



INTEGRATED CABLE

V82.W.2PM

B55

2-way zone valve. 2 point actuator with rapid assembling on the valve, manual knob and cable. Auxiliary microswitch.

- Max differential pressure: **1 bar**
- Working temperature range: **0 (no frost)–90 °C**
- Max working pressure: **10 bar**
- Protection class: **IP 44**
- Frequency: **50–60 Hz**
- Power consumption: **6 VA**
- Aux. microswitch contact rating: **1 SPST, 6(1) A-230 V**



Code	Size	Kv	V	Running time [s]	Nr. poles	Cable connection	Cable [m]			€
V82 BF1 WAD E	G 1/2 F	12	230	8	5	Integrated	0,9	1	6	-
V82 BF2 WAD E	G 3/4 F	12	230	8	5	Integrated	0,9	1	6	-
V82 BF3 WAD E	G 1 F	12	230	8	5	Integrated	0,9	1	6	-
V82 B22 WAD E	22 mm	12	230	8	5	Integrated	0,9	1	6	-
V82 B28 WAD E	28 mm	12	230	8	5	Integrated	0,9	1	6	-
V82 BM2 WAD E	G 3/4 M	12	230	8	5	Integrated	0,9	1	6	-
V82 BM3 WAD E	G 1 M	12	230	8	5	Integrated	0,9	1	6	-
V82 BM4 WAD E	G 1 1/4 M	12	230	8	5	Integrated	0,9	1	6	-

M10.02P.2VM

B55

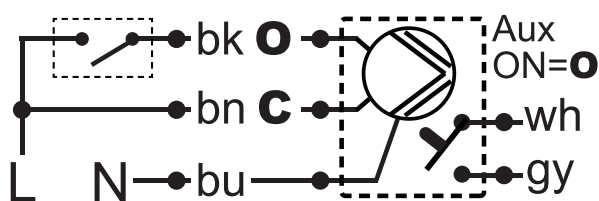
Spare actuator for 2-way zone valve. 2 point type with rapid assembling on the valve, manual knob and cable. Auxiliary microswitch.

- Protection class: **IP 44**
- Frequency: **50–60 Hz**
- Power consumption: **6 VA**
- Aux. microswitch contact rating: **1 SPST, 6(1) A-230 V**

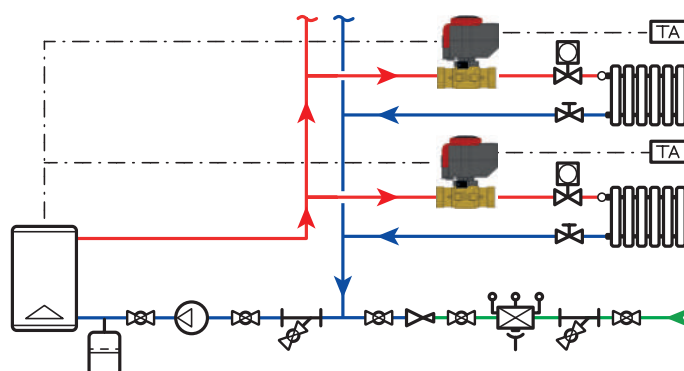


Code	V	Running time [s]	Nr. poles	Cable connection	Cable [m]			€
M10 02P 011	230	8	5	Integrated	0,9	1	10	-

Wiring diagram M10, 2 points-5 poles with aux. microswitch



Use of V82 as zone valves



V83.W.2PM

B55

3-way zone and diverting valve with central common port. 2 point actuator with rapid assembling on the valve, manual knob and cable. Auxiliary microswitch.

- Max differential pressure: **1 bar**
- Working temperature range: **0 (no frost)–90 °C**
- Max working pressure: **10 bar**
- Protection class: **IP 44**
- Frequency: **50–60 Hz**
- Power consumption: **6 VA**
- Aux. microswitch contact rating: **1 SPST, 6(1) A-230 V**



Code	Size	Kv	V	Running time [s]	Nr. poles	Cable connection	Cable [m]			€
V83 AF1 WAD C	G 1/2 F	8	230	8	5	Integrated	0,9	1	6	-
V83 AF2 WAD C	G 3/4 F	8	230	8	5	Integrated	0,9	1	6	-
V83 AF3 WAD C	G 1 F	8	230	8	5	Integrated	0,9	1	6	-
V83 A22 WAD C	22 mm	8	230	8	5	Integrated	0,9	1	6	-
V83 A28 WAD C	28 mm	8	230	8	5	Integrated	0,9	1	6	-
V83 AM2 WAD C	G 3/4 M	8	230	8	5	Integrated	0,9	1	6	-
V83 AM3 WAD C	G 1 M	8	230	8	5	Integrated	0,9	1	6	-
V83 AM4 WAD C	G 1 1/4 M	8	230	8	5	Integrated	0,9	1	6	-

M10.02P.3VM

B55

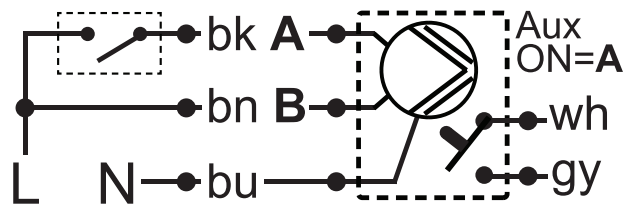
Spare actuator for 3-way zone and diverting valve. 2 point type with rapid assembling on the valve, manual knob and cable. Auxiliary microswitch.

- Protection class: **IP 44**
- Frequency: **50–60 Hz**
- Power consumption: **6 VA**
- Aux. microswitch contact rating: **1 SPST, 6(1) A-230 V**



Code	V	Running time [s]	Nr. poles	Cable connection	Cable [m]			€
M10 02P 007	230	8	5	Integrated	0,9	1	10	-

Wiring diagram M10, 2 points-5 poles with aux. microswitch



P93

Fitting with running nut and flat gasket

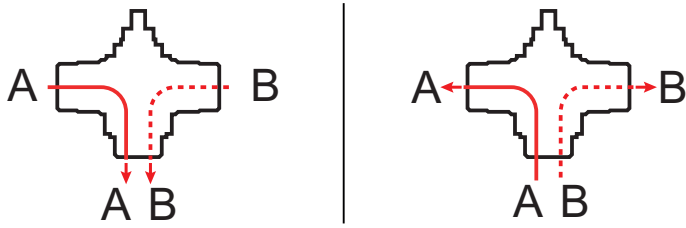
- Max working temperature: **100 °C**
- Max working pressure: **25 bar**



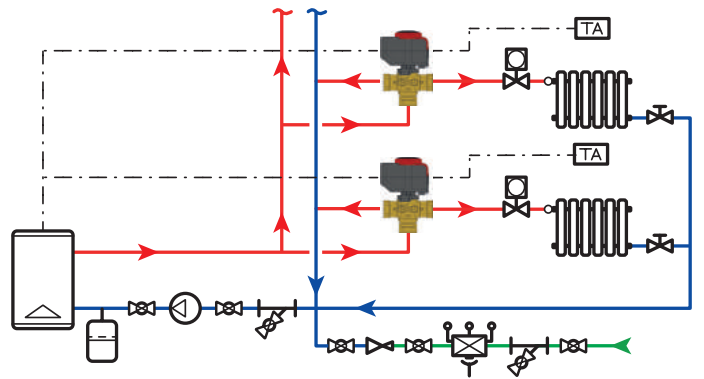
Code	Size			€
P93 015 000	G 1/2 M - G 3/4 RN	20	80	-
P93 020 000	G 3/4 M - G 1 RN	16	64	-

3-WAY ZONE AND DIVERTING VALVES WITH 2 POINT ACTUATOR

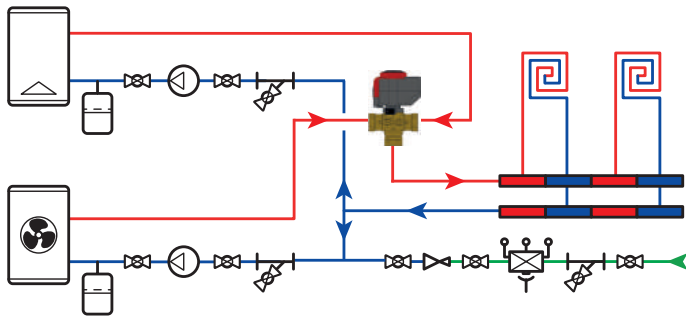
Use of ports for the 3-way valve



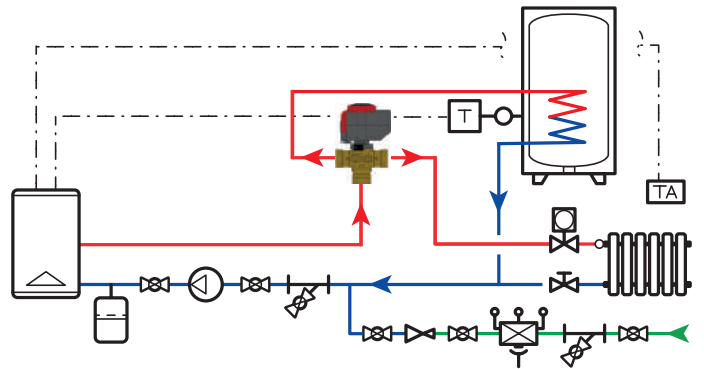
V83: use as zone valve



V83: use as diverting valve, 2 inlets and 1 outlet



V83: use as diverting valve, 1 inlet and 2 outlets



B55 ARP

soft torque technology



NEW



ARP

AUTOMATIC RETURN in POSITION

ELECTRONIC EVOLUTION:

THE SPRING RETURN SYSTEMS GIVE WAY TO AN INNOVATIVE SYSTEM THAT MANAGES THE AUTOMATIC CLOSING THROUGH THE ELECTRONICS OF THE ACTUATOR.



INTERCHANGEABLE
WITH SPRING RETURN
VALVES



SIMPLIFIED
ELECTRICAL
CONNECTION



CONSUMPTION
REDUCED UP TO 90%



ROTATION IN 8 S



AUXILIARY
MICROSWITCH



MANUAL MODE - MID
POINT

V82.W.ARP

B55 ARP

2-way zone valve. ARP actuator with automatic return in position, rapid assembling on the valve, manual knob and cable. Auxiliary microswitch.

Max differential pressure: **1 bar**

Working temperature range: **0 (no frost)–90 °C**

Max working pressure: **10 bar**

Protection class: **IP 44**

Frequency: **50–60 Hz**

Power consumption: **6 VA**

Aux. microswitch contact rating: **1 SPST, 6(1) A-230 V**



Code	Size	Kv	V	Running time [s]	Nr. poles	Cable connection	Cable [m]			€
V82 BF1 WBD E	G 1/2 F	12	230	8	4	Integrated	0,9	1	6	-
V82 BF2 WBD E	G 3/4 F	12	230	8	4	Integrated	0,9	1	6	-
V82 BF3 WBD E	G 1 F	12	230	8	4	Integrated	0,9	1	6	-
V82 B22 WBD E	22 mm	12	230	8	4	Integrated	0,9	1	6	-
V82 B28 WBD E	28 mm	12	230	8	4	Integrated	0,9	1	6	-
V82 BM2 WBD E	G 3/4 M	12	230	8	4	Integrated	0,9	1	6	-
V82 BM3 WBD E	G 1 M	12	230	8	4	Integrated	0,9	1	6	-
V82 BM4 WBD E	G 1 1/4 M	12	230	8	4	Integrated	0,9	1	6	-

M10.ARP.2VM

B55 ARP

Spare ARP actuator with automatic return in position for 2-way zone valve. With rapid assembling on the valve, manual knob and cable. Auxiliary microswitch.

Protection class: **IP 44**

Frequency: **50–60 Hz**

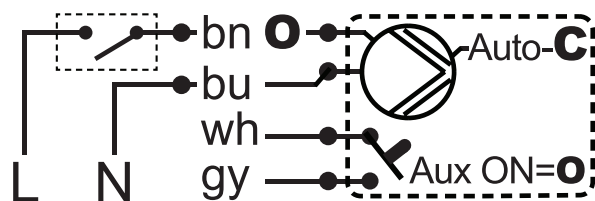
Power consumption: **6 VA**

Aux. microswitch contact rating: **1 SPST, 6(1) A-230 V**

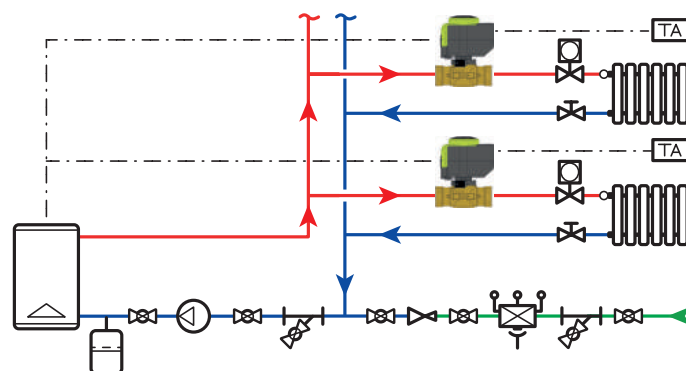


Code	V	Running time [s]	Nr. poles	Cable connection	Cable [m]			€
M10 ARP 005	230	8	4	Integrated	0,9	1	10	-

Wiring diagram M10 ARP with automatic return in position with aux. microswitch



Use of V82 as zone valves



V83.W.ARP

B5 ARP

3-way zone and diverting valve with central common port. ARP actuator with automatic return in position, rapid assembling on the valve, manual knob and cable. Auxiliary microswitch.

- Max differential pressure: **1 bar**
- Working temperature range: **0 (no frost)–90 °C**
- Max working pressure: **10 bar**
- Protection class: **IP 44**
- Frequency: **50–60 Hz**
- Power consumption: **6 VA**
- Aux. microswitch contact rating: **1 SPST, 6(1) A-230 V**



Code	Size	Kv	V	Running time [s]	Nr. poles	Cable connection	Cable [m]			€
V83 AF1 WBD D	G 1/2 F	8	230	8	4	Integrated	0,9	1	6	-
V83 AF2 WBD D	G 3/4 F	8	230	8	4	Integrated	0,9	1	6	-
V83 AF3 WBD D	G 1 F	8	230	8	4	Integrated	0,9	1	6	-
V83 A22 WBD D	22 mm	8	230	8	4	Integrated	0,9	1	6	-
V83 A28 WBD D	28 mm	8	230	8	4	Integrated	0,9	1	6	-
V83 AM2 WBD D	G 3/4 M	8	230	8	4	Integrated	0,9	1	6	-
V83 AM3 WBD D	G 1 M	8	230	8	4	Integrated	0,9	1	6	-
V83 AM4 WBD D	G 1 1/4 M	8	230	8	4	Integrated	0,9	1	6	-

M10.ARP.3VM

B5 ARP

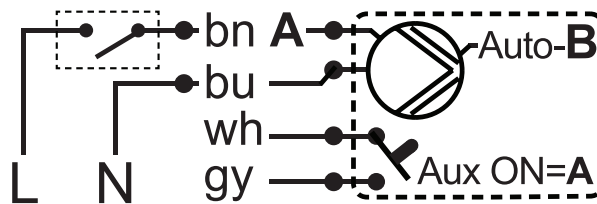
Spare ARP actuator with automatic return in position for 3-way zone and diverting valve. With rapid assembling on the valve, manual knob and cable. Auxiliary microswitch.

- Protection class: **IP 44**
- Frequency: **50–60 Hz**
- Power consumption: **6 VA**
- Aux. microswitch contact rating: **1 SPST, 6(1) A-230 V**



Code	V	Running time [s]	Nr. poles	Cable connection	Cable [m]			€
M10 ARP 004	230	8	4	Integrated	0,9	1	10	-

Wiring diagram M10 ARP with automatic return in position with aux. microswitch



P93

Fitting with running nut and flat gasket

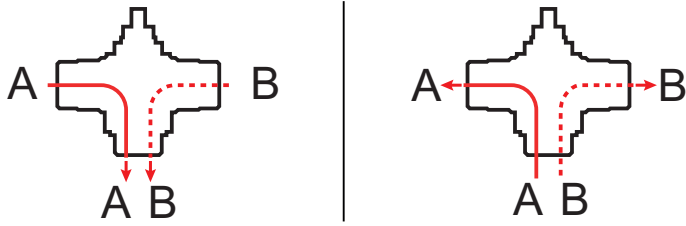
- Max working temperature: **100 °C**
- Max working pressure: **25 bar**



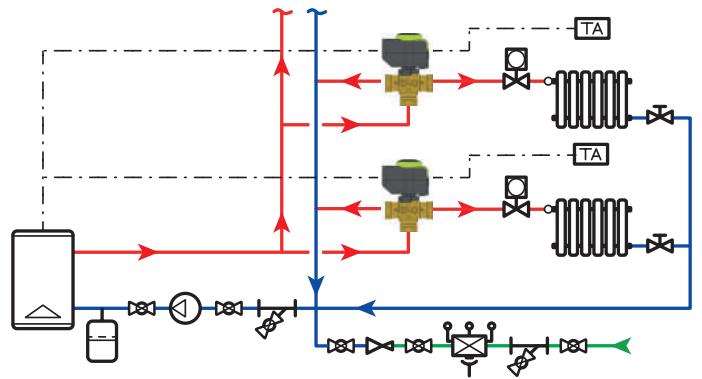
Code	Size			€
P93 015 000	G 1/2 M - G 3/4 RN	20	80	-
P93 020 000	G 3/4 M - G 1 RN	16	64	-

3-WAY ZONE AND DIVERTING VALVES WITH AUTOMATIC RETURN

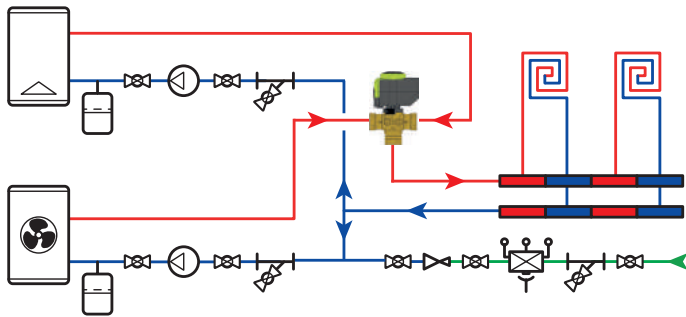
Use of ports for the 3-way valve



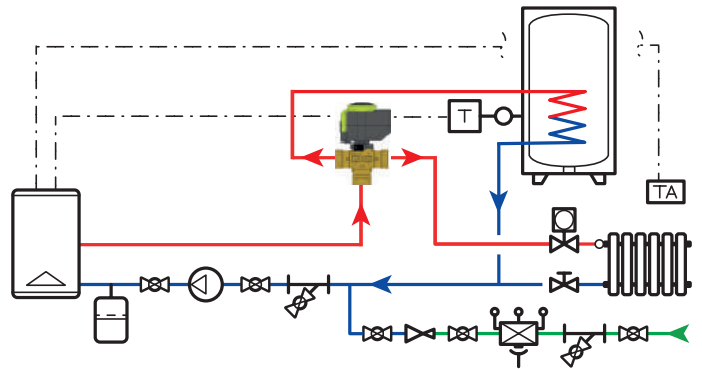
V83: use as zone valve



V83: use as diverting valve, 2 inlets and 1 outlet



V83: use as diverting valve, 1 inlet and 2 outlets



P94.L1

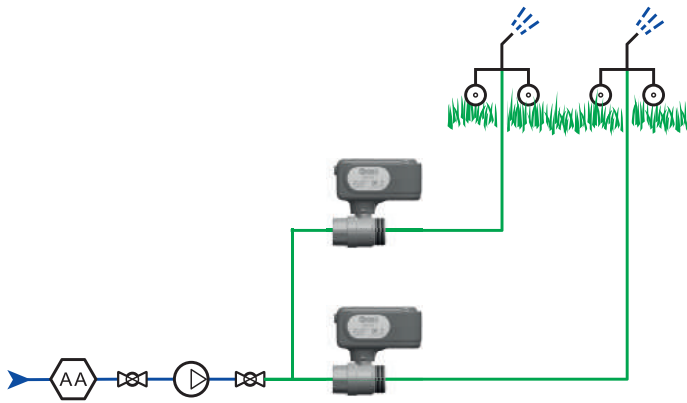
2-way ball zone valve MF fitted for M02 actuator - chrome plated - with fitting (tailpiece and nut)

Max differential pressure: **16 bar**
 Max working temperature: **95 °C**
 Max working pressure: **16 bar**

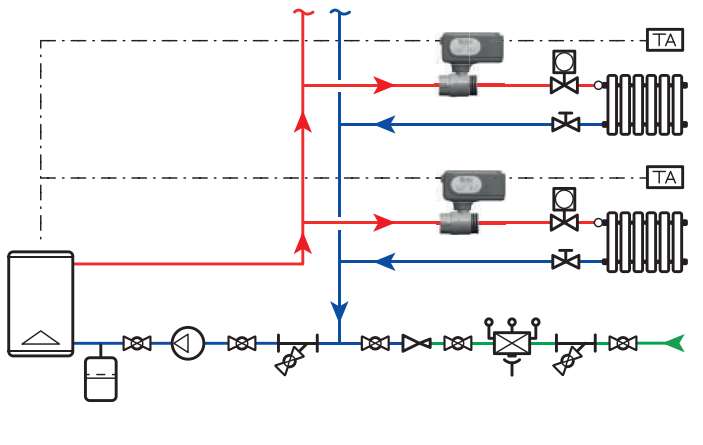


Code	Size			€
P94 015 C00 L1	G 1/2 M - G 1/2 F - DN 15	10	40	-
P94 020 C00 L1	G 3/4 M - G 3/4 F - DN 20	5	40	-
P94 025 C00 L1	G 1 M - G 1 F - DN 25	5	30	-
P94 032 C00 L1	G 1 1/4 M - G 1 1/4 F - DN 32	5	10	-

Use of P94 as shut-off valves in irrigation systems



Use of P94 as zone valves



M02

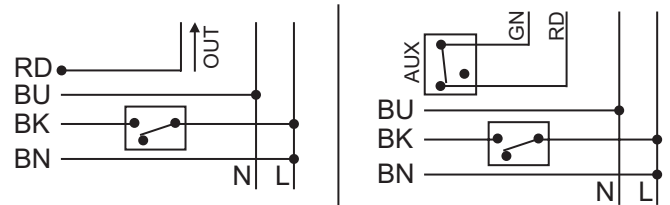
Actuator for 2-way ball zone valves. 2 points, on/off regulation. Rotation angle 90°. Output potential contact (4 pole version) or auxiliary microswitch (5 pole version). Complete with blocking screw, 1 m integrated cable



Torque: **10 N·m**
 Protection class: **IP 44**
 Frequency: **50 Hz**

Code	V	Running time [s]	Nr. poles	Cable [m]			€
M02 010 1BC A	230	40	4	0,84	1	10	-
M02 010 2BC A	24	40	4	0,84	1	10	-
M02 010 1CC A	230	40	5	0,79	1	10	-
M02 010 2CC A	24	40	5	0,79	1	10	-

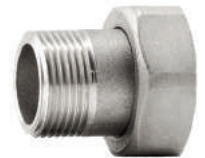
Wiring diagram M02, 2 points-4 poles and 2 points-5 poles with aux. microswitch



P93.N

Fitting with running nut and flat gasket - nickel plated

Max working temperature: **100 °C**
 Max working pressure: **25 bar**



Code	Size			€
P93 015 N00	G 1/2 M - G 3/4 RN	20	80	-
P93 020 N00	G 3/4 M - G 1 RN	16	64	-
P93 025 N00	G 1 M - G 1 1/4 RN	8	64	-
P93 032 N00	G 1 1/4 M - G 1 1/2 RN	4	32	-

AIR VENTS AND
DEAERATORS

B6



Y47L

Automatic air vent. With manual pin for functionality check.

Max working temperature: **95 °C**

Max working pressure: **10 bar**



Code	Size			€
Y47 010 000 L	G 3/8 M	10	100	-
Y47 015 000 L	G 1/2 M	10	100	-
Y47 020 000 L	G 3/4 M	10	100	-
Y47 025 000 L	G 1 M	10	100	-

Y47

Automatic air vent (compact version)

Max working temperature: **95 °C**

Max working pressure: **10 bar**



Code	Size			€
Y47 010 000	G 3/8 M	10	100	-
Y47 015 000	G 1/2 M	10	100	-

Y47.N

Automatic air vent (compact version) - nickel plated

Max working temperature: **95 °C**

Max working pressure: **10 bar**



Code	Size			€
Y47 015 N00	G 1/2 M	10	100	-

Y70

Automatic shut-off valve for air vent replacement

Max working temperature: **95 °C**

Max working pressure: **10 bar**



Code	Size			€
Y70 010 000	G 3/8 M - G 3/8 F	20	400	-
Y70 015 000	G 1/2 M - G 1/2 F	20	400	-

P57L

Automatic air vent with side connection. With manual pin for functionality check.

Max working temperature: **95 °C**

Max working pressure: **10 bar**



Code	Size			€
P57 010 000 L	G 3/8 M	10	100	-
P57 015 000 L	G 1/2 M	10	100	-

P57

Automatic air vent with side connection (compact version)

Max working temperature: **95 °C**

Max working pressure: **10 bar**



Code	Size			€
P57 010 000	G 3/8 M	10	100	-
P57 015 000	G 1/2 M	10	100	-

P56

Automatic air vent with side vent

Max working temperature: **95 °C**

Max working pressure: **10 bar**



Code	Size			€
P56 010 000	G 3/8 M	10	100	-
P56 015 000	G 1/2 M	10	100	-

P58

Automatic air vent for heating emitters and radiators - nickel plated. With manual pin for functionality check.

Max working temperature: **95 °C**

Max working pressure: **10 bar**



Code	Size			€
P58 025 N00 D	G 1 M - right	10	100	-
P58 025 N00 S	G 1 M - left	10	100	-

P83

Manual air vent with adjustable drain position - nickel plated

Max working temperature: **95 °C**

Max working pressure: **6 bar**



Code	Size			€
P83 015 N00	G 1/2 M	2	-	-

05B

Manual air vent with PTFE seal - nickel plated

Max working temperature: **95 °C**

Max working pressure: **6 bar**

Fully open length: **32 mm**

Fully closed length: **29 mm**



Code	Size			€
05B 008 N03	G 1/4 M	10	200	-
05B 010 N03	G 3/8 M	10	200	-

P60

Manual air vent with PTFE seal - nickel plated

Max working temperature: **95 °C**

Max working pressure: **6 bar**

Fully open length: **29 mm**

Fully closed length: **26 mm**



Code	Size			€
P60 008 N00	G 1/4 M	10	200	-
P60 010 N00	G 3/8 M	10	200	-
P60 015 N00	G 1/2 M	10	200	-

P71

Vertical manual deaerator

Max working temperature: **140 °C**

Max working pressure: **10 bar**



Code	Size			€
P71 020 000	G 1 M - G 3/4 F	1	28	-
P71 020 000 M	G 1 M - G 3/4 M	1	28	-
P71 022 000	G 1 M - 22 mm	1	28	-



NUMBER OF PIECES IN BOX



NUMBER OF PIECES IN CARTON






























ARTICLE THE BEST SELLER

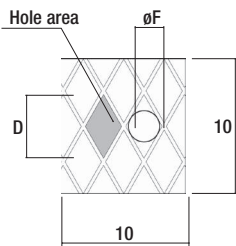


NEW ARTICLE



Code	Size	Plastic obturator	Metal obturator	NBR gasket	VITON gasket	Reinforced body
005	G 1/4-G 4					
020	G 3/8-G 2					
006	G 3/8-G 1 1/4					
007	G 3/8-G 1 1/4					
008	G 3/8-G 1 1/4					
005K	G 1/4-G 4					
020K	G 3/8-G 2					
005KV	G 1/4-G 4					
020KV	G 3/8-G 2					
006KV	G 3/8-G 1 1/4					
007KV	G 3/8-G 1 1/4					
008KV	G 3/8-G 1 1/4					

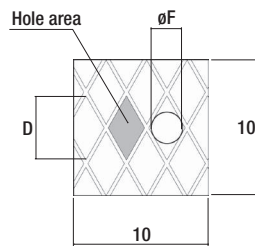
Mesh TYPE A



nr. holes/cm ²	24
Hole area	1,1 mm ²
D	2,6 mm
øF	0,85 mm (850 µm)
Size	G 3/8-G 4

Regarding the values of Hole area, D and øF, consider a tolerance of about ±15%.

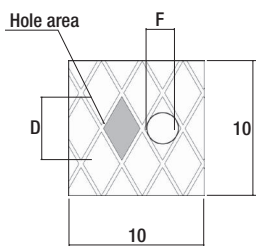
Mesh TYPE B



nr. holes/cm ²	22
Hole area	1,3 mm ²
D	2,6 mm
øF	0,95 (950 µm)
Size	G 3/8-G 4

Regarding the values of Hole area, D and øF, consider a tolerance of about ±15%.

Mesh TYPE C



nr. holes/cm ²	23	11
Hole area	1,6 mm ²	3,4 mm ²
D	2,6 mm	4 mm
F	1,1 mm (1100 µm)	1,6 mm (1600 µm)
Size	G 3/8-G 2	G 2 1/2-G 3

Regarding the values of Hole area, D and F, consider a tolerance of about ±15%.

CHECK VALVES
AND
FOOT VALVES

B7



005

Universal check valve - FF - acetal copolymer obturator - NBR gasket

Max working temperature: **95 °C**
In compliance with D.M. 174



Code	Size	P [bar]			€
005 008 000	G 1/4 F	16	30	240	-
005 010 000	G 3/8 F	16	30	240	-
005 015 000	G 1/2 F	16	30	240	-
005 020 000	G 3/4 F	16	18	144	-
005 025 000	G 1 F	16	14	84	-
005 032 000	G 1 1/4 F	10	12	72	-
005 040 000	G 1 1/2 F	10	10	40	-
005 050 000	G 2 F	10	6	36	-
005 065 000	G 2 1/2 F	8	-	15	-
005 080 000	G 3 F	8	-	12	-
005 100 000	G 4 F	8	-	5	-

005KV

Universal check valve - FF - brass obturator - viton gasket

Max working temperature: **150 °C**



Code	Size	P [bar]			€
005 008 000 KV	G 1/4 F	35	30	240	-
005 010 000 KV	G 3/8 F	35	30	240	-
005 015 000 KV	G 1/2 F	35	30	240	-
005 020 000 KV	G 3/4 F	35	18	144	-
005 025 000 KV	G 1 F	35	14	84	-
005 032 000 KV	G 1 1/4 F	25	12	72	-
005 040 000 KV	G 1 1/2 F	25	10	40	-
005 050 000 KV	G 2 F	25	6	36	-
005 065 000 KV	G 2 1/2 F	12	-	15	-
005 080 000 KV	G 3 F	12	-	12	-
005 100 000 KV	G 4 F	12	-	5	-

005K

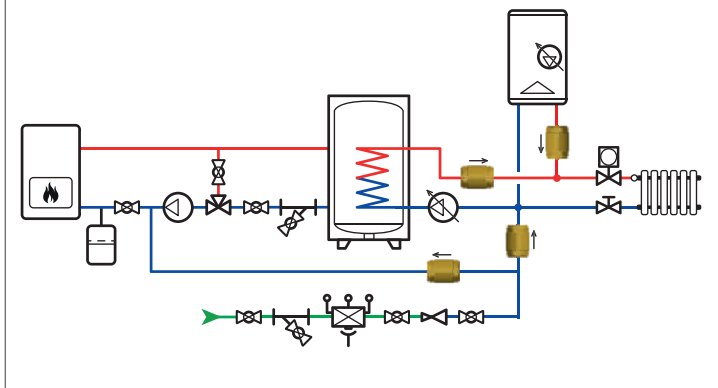
Universal check valve - FF - brass obturator - NBR gasket

Max working temperature: **95 °C**



Code	Size	P [bar]			€
005 008 000 K	G 1/4 F	35	30	240	-
005 010 000 K	G 3/8 F	35	30	240	-
005 015 000 K	G 1/2 F	35	30	240	-
005 020 000 K	G 3/4 F	35	18	144	-
005 025 000 K	G 1 F	35	14	84	-
005 032 000 K	G 1 1/4 F	25	12	72	-
005 040 000 K	G 1 1/2 F	25	10	40	-
005 050 000 K	G 2 F	25	6	36	-
005 065 000 K	G 2 1/2 F	12	-	15	-
005 080 000 K	G 3 F	12	-	12	-
005 100 000 K	G 4 F	12	-	5	-

Use of check valves in closed circuits



020

Universal check valve - FF - acetal copolymer obturator - NBR gasket - suitable for high pressure application

Max working temperature: **95 °C**
In compliance with D.M. 174



Code	Size	P [bar]			€
020 010 000	G 3/8 F	25	24	192	-
020 015 000	G 1/2 F	25	20	160	-
020 020 000	G 3/4 F	25	12	96	-
020 025 000	G 1 F	25	8	64	-
020 032 000	G 1 1/4 F	18	8	48	-
020 040 000	G 1 1/2 F	18	6	36	-
020 050 000	G 2 F	18	5	20	-
005 065 000	G 2 1/2 F	8	-	15	-
005 080 000	G 3 F	8	-	12	-
005 100 000	G 4 F	8	-	5	-

020K

Universal check valve - FF - brass obturator - NBR gasket - suitable for high pressure application

Max working temperature: **95 °C**



Code	Size	P [bar]			€
020 010 000 K	G 3/8 F	50	24	192	-
020 015 000 K	G 1/2 F	50	20	160	-
020 020 000 K	G 3/4 F	50	12	96	-
020 025 000 K	G 1 F	50	8	64	-
020 032 000 K	G 1 1/4 F	35	8	48	-
020 040 000 K	G 1 1/2 F	35	6	36	-
020 050 000 K	G 2 F	35	5	20	-
005 065 000 K	G 2 1/2 F	12	-	15	-
005 080 000 K	G 3 F	12	-	12	-
005 100 000 K	G 4 F	12	-	5	-

020KV

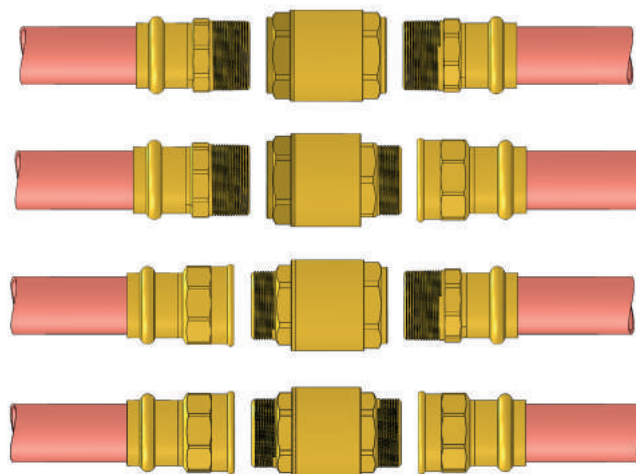
Universal check valve - FF - brass obturator - viton gasket - suitable for high pressure application

Max working temperature: **150 °C**



Code	Size	P [bar]			€
020 010 000 KV	G 3/8 F	50	24	192	-
020 015 000 KV	G 1/2 F	50	20	160	-
020 020 000 KV	G 3/4 F	50	12	96	-
020 025 000 KV	G 1 F	50	8	64	-
020 032 000 KV	G 1 1/4 F	35	8	48	-
020 040 000 KV	G 1 1/2 F	35	6	36	-
020 050 000 KV	G 2 F	35	5	20	-
005 065 000 KV	G 2 1/2 F	12	-	15	-
005 080 000 KV	G 3 F	12	-	12	-
005 100 000 KV	G 4 F	12	-	5	-

Example of check valve installation: 005/020, 006, 007, 008



006

Universal check valve - FM - acetal copolymer obturator - NBR gasket

Max working temperature: **95 °C**
In compliance with D.M. 174



Code	Size	P [bar]			€
006 010 000	G 3/8 F - G 3/8 M	16	30	240	-
006 015 000	G 1/2 F - G 1/2 M	16	25	200	-
006 020 000	G 3/4 F - G 3/4 M	16	16	128	-
006 025 000	G 1 F - G 1 M	16	10	80	-
006 032 000	G 1 1/4 F - G 1 1/4 M	10	6	48	-

007

Universal check valve - MF - acetal copolymer obturator - NBR gasket

Max working temperature: **95 °C**
In compliance with D.M. 174



Code	Size	P [bar]			€
007 010 000	G 3/8 M - G 3/8 F	16	30	240	-
007 015 000	G 1/2 M - G 1/2 F	16	20	160	-
007 020 000	G 3/4 M - G 3/4 F	16	16	128	-
007 025 000	G 1 M - G 1 F	16	10	80	-
007 032 000	G 1 1/4 M - G 1 1/4 F	10	6	48	-

006KV

Universal check valve - FM - brass obturator - viton gasket

Max working temperature: **150 °C**



Code	Size	P [bar]			€
006 010 000 KV	G 3/8 F - G 3/8 M	35	30	240	-
006 015 000 KV	G 1/2 F - G 1/2 M	35	25	200	-
006 020 000 KV	G 3/4 F - G 3/4 M	35	16	128	-
006 025 000 KV	G 1 F - G 1 M	35	10	80	-
006 032 000 KV	G 1 1/4 F - G 1 1/4 M	25	6	48	-

007KV

Universal check valve - MF - brass obturator - viton gasket

Max working temperature: **150 °C**



Code	Size	P [bar]			€
007 010 000 KV	G 3/8 M - G 3/8 F	35	30	240	-
007 015 000 KV	G 1/2 M - G 1/2 F	35	20	160	-
007 020 000 KV	G 3/4 M - G 3/4 F	35	16	128	-
007 025 000 KV	G 1 M - G 1 F	35	10	80	-
007 032 000 KV	G 1 1/4 M - G 1 1/4 F	25	6	48	-

008

Universal check valve - MM - acetal copolymer obturator - NBR gasket

Max working temperature: **95 °C**
In compliance with D.M. 174



Code	Size	P [bar]			€
008 010 000	G 3/8 M	16	30	240	-
008 015 000	G 1/2 M	16	25	200	-
008 020 000	G 3/4 M	16	16	128	-
008 025 000	G 1 M	16	10	80	-
008 032 000	G 1 1/4 M	10	8	48	-

008KV

Universal check valve - MM - brass obturator - viton gasket

Max working temperature: **150 °C**



Code	Size	P [bar]			€
008 015 000 KV	G 1/2 M	35	25	200	-
008 020 000 KV	G 3/4 M	35	16	128	-
008 025 000 KV	G 1 M	35	10	80	-
008 032 000 KV	G 1 1/4 M	25	8	48	-

135

Flanged check valve PN 16

Max working temperature: **95 °C**
Max working pressure: **16 bar**
Material: **cast iron EN G.JL 250**



Code	Size		€
135 050 000	DN 50	2	-
135 065 000	DN 65	2	-
135 080 000	DN 80	1	-
135 100 000	DN 100	1	-
135 125 000	DN 125	1	-
135 150 000	DN 150	1	-

010

Foot valve with integrated stainless steel filter

Max working temperature: **95 °C**

Mesh type: **see chapter beginning**



Code	Size	Mesh type	P [bar]			€
010 015 000	G 1/2 F	A	10	15	180	-
010 020 000	G 3/4 F	A	10	28	168	-
010 025 000	G 1 F	A	10	16	96	-
010 032 000	G 1 1/4 F	A	8	7	42	-
010 040 000	G 1 1/2 F	A	8	6	36	-
010 050 000	G 2 F	A	8	3	18	-
010 065 000	G 2 1/2 F	A	6	-	10	-
010 080 000	G 3 F	A	6	-	6	-
010 100 000	G 4 F	A	6	-	4	-

014

Foot valve with interchangeable stainless steel filter - nylon filter connection (code 005 + code 029)

Max working temperature: **95 °C**

Mesh type: **see chapter beginning**



Code	Size	Mesh type	P [bar]			€
014 010 000	G 3/8 F	B	16	25	300	-
014 015 000	G 1/2 F	B	16	20	240	-
014 020 000	G 3/4 F	B	16	15	135	-
014 025 000	G 1 F	B	16	14	84	-
014 032 000	G 1 1/4 F	B	10	7	42	-
014 040 000	G 1 1/2 F	B	10	5	30	-
014 050 000	G 2 F	B	10	3	18	-
014 065 000	G 2 1/2 F	B	8	-	9	-
014 080 000	G 3 F	B	8	-	6	-
014 100 000	G 4 F	B	8	-	4	-

029

Stainless steel filter with nylon connection

Max working temperature: **95 °C**

Mesh type: **see chapter beginning**



Code	Size	Mesh type			€
029 010 000	G 3/8 M	B	50	400	-
029 015 000	G 1/2 M	B	35	280	-
029 020 000	G 3/4 M	B	20	160	-
029 025 000	G 1 M	B	25	100	-
029 032 000	G 1 1/4 M	B	20	80	-
029 040 000	G 1 1/2 M	B	10	40	-
029 050 000	G 2 M	B	6	24	-
029 065 000	G 2 1/2 M	B	-	20	-
029 080 000	G 3 M	B	-	10	-
029 100 000	G 4 M	B	-	6	-

015

Foot valve with interchangeable stainless steel filter - brass filter connection (code 005 + code 030)

Max working temperature: **95 °C**

Mesh type: **see chapter beginning**



Code	Size	Mesh type	P [bar]			€
015 010 000	G 3/8 F	A	16	25	200	-
015 015 000	G 1/2 F	A	16	20	160	-
015 020 000	G 3/4 F	A	16	15	135	-
015 025 000	G 1 F	A	16	14	84	-
015 032 000	G 1 1/4 F	A	10	6	36	-
015 040 000	G 1 1/2 F	A	10	5	30	-
015 050 000	G 2 F	A	10	3	18	-
015 065 000	G 2 1/2 F	A	8	-	9	-
015 080 000	G 3 F	A	8	-	6	-
015 100 000	G 4 F	A	8	-	4	-

024

Foot valve for high pressure with interchangeable stainless steel filter - nylon filter connection (code 020 + code 029)

Max working temperature: 95 °C

Mesh type: *see chapter beginning*



Code	Size	Mesh type	P [bar]			€
024 010 000	G 3/8 F	B	25	15	120	-
024 015 000	G 1/2 F	B	25	15	120	-
024 020 000	G 3/4 F	B	25	14	84	-
024 025 000	G 1 F	B	25	6	54	-
024 032 000	G 1 1/4 F	B	18	5	30	-
024 040 000	G 1 1/2 F	B	18	4	24	-
024 050 000	G 2 F	B	18	3	18	-

025

Foot valve for high pressure with interchangeable stainless steel filter - brass filter connection (code 020 + code 030)

Max working temperature: 95 °C

Mesh type: *see chapter beginning*



Code	Size	Mesh type	P [bar]			€
025 010 000	G 3/8 F	A	25	24	192	-
025 015 000	G 1/2 F	A	25	12	144	-
025 020 000	G 3/4 F	A	25	14	84	-
025 025 000	G 1 F	A	25	8	48	-
025 032 000	G 1 1/4 F	A	18	5	30	-
025 040 000	G 1 1/2 F	A	18	4	24	-
025 050 000	G 2 F	A	18	3	12	-

V39

Foot valve for high pressure with brass obturator, interchangeable stainless steel filter - nylon filter connection (code 020K + code 029. For sizes G 2 1/2–G4: code 005K + code 029).

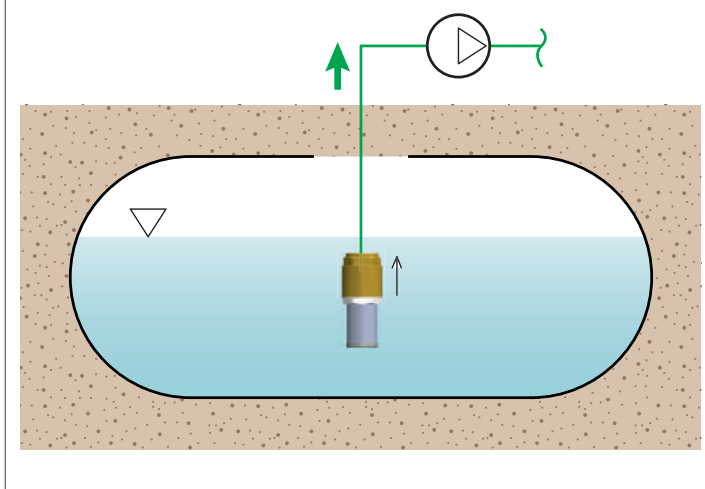
Max working temperature: 95 °C

Mesh type: *see chapter beginning*



Code	Size	Mesh type	P [bar]			€
V39 010 000	G 3/8 F	B	50	15	120	-
V39 015 000	G 1/2 F	B	50	14	42	-
V39 020 000	G 3/4 F	B	50	14	84	-
V39 025 000	G 1 F	B	50	6	36	-
V39 032 000	G 1 1/4 F	B	35	5	20	-
V39 040 000	G 1 1/2 F	B	35	4	16	-
V39 050 000	G 2 F	B	35	3	12	-
V39 065 000	G 2 1/2 F	B	12	-	9	-
V39 080 000	G 3 F	B	12	-	6	-
V39 100 000	G 4 F	B	12	-	4	-

Use of foot valves



NUMBER OF PIECES IN BOX



NUMBER OF PIECES IN CARTON



ARTICLE THE BEST SELLER



NEW ARTICLE



045

Tubular foot valve

Max working temperature: **90 °C**



Code	Size	P [bar]			€
045 020 000	G 3/4 F	10	12	96	-
045 025 000	G 1 F	10	12	72	-
045 032 000	G 1 1/4 F	8	6	36	-
045 040 000	G 1 1/2 F	8	5	30	-
045 050 000	G 2 F	8	4	24	-
045 065 000	G 2 1/2 F	8	-	12	-
045 080 000	G 3 F	6	-	5	-
045 100 000	G 4 F	6	-	3	-

153

Foot valve for viscous fluids - metal seal with double ball

Max working temperature: **100 °C**

Max working pressure: **6 bar**



Code	Size			€
153 010 000	G 3/8 F	35	280	-
153 015 000	G 1/2 F	25	200	-

040

Foot valve with brass filter with horizontal edges

Max working temperature: **60 °C**



Code	Size	P [bar]			€
040 020 000	G 3/4 F	10	12	96	-
040 025 000	G 1 F	10	12	72	-
040 032 000	G 1 1/4 F	8	5	45	-
040 040 000	G 1 1/2 F	8	6	36	-
040 050 000	G 2 F	8	4	24	-
040 065 000	G 2 1/2 F	6	-	12	-
040 080 000	G 3 F	6	-	10	-
040 100 000	G 4 F	6	-	5	-

030

Stainless steel filter with brass connection

Max working temperature: **140 °C**

Mesh type: **see chapter beginning**



Code	Size	Mesh type			€
030 010 000	G 3/8 M	A	50	400	-
030 015 000	G 1/2 M	A	35	280	-
030 020 000	G 3/4 M	A	20	160	-
030 025 000	G 1 M	A	25	100	-
030 032 000	G 1 1/4 M	A	20	80	-
030 040 000	G 1 1/2 M	A	10	40	-
030 050 000	G 2 M	A	6	24	-
030 065 000	G 2 1/2 M	A	-	20	-
030 080 000	G 3 M	A	-	10	-
030 100 000	G 4 M	A	-	6	-

028

Stainless steel filter with stainless steel connection, both in AISI 316

Max working temperature: **140 °C**

Mesh type: **see chapter beginning**



Code	Size	Mesh type			€
028 010 000	G 3/8 M	C	50	400	-
028 015 000	G 1/2 M	C	35	280	-
028 020 000	G 3/4 M	C	20	160	-
028 025 000	G 1 M	C	12	96	-
028 032 000	G 1 1/4 M	C	9	72	-
028 040 000	G 1 1/2 M	C	10	40	-
028 050 000	G 2 M	C	6	24	-
028 065 000	G 2 1/2 M	C	4	16	-
028 080 000	G 3 M	C	-	11	-
028 100 000	G 4 M	C	-	6	-

060

Swing check valve FF - rubber seal

Max working temperature: **95 °C**
Sizes 5" and 6" in bronze



Code	Size	P [bar]			€
060 010 000	G 3/8 F	16	15	120	-
060 015 000	G 1/2 F	16	20	160	-
060 020 000	G 3/4 F	16	10	120	-
060 025 000	G 1 F	16	10	60	-
060 032 000	G 1 1/4 F	16	10	40	-
060 040 000	G 1 1/2 F	16	6	36	-
060 050 000	G 2 F	16	4	24	-
060 065 000	G 2 1/2 F	16	-	12	-
060 080 000	G 3 F	16	-	10	-
060 100 000	G 4 F	10	-	4	-
060 125 000	G 5 F	10	-	2	-
060 150 000	G 6 F	10	-	1	-

125

Wafer inter-flanged swing check valve PN 16

Max working temperature: **95 °C**
Max working pressure: **16 bar**
Material: **ASTM A351 gr CF8M**



Code	Size		€
125 050 000	DN 50	1	-
125 065 000	DN 65	1	-
125 080 000	DN 80	1	-
125 100 000	DN 100	1	-
125 125 000	DN 125	1	-
125 150 000	DN 150	1	-
125 200 000	DN 200	1	-
125 250 000	DN 250	1	-

080

Swing check valve FF - metal seal

Max working temperature: **95 °C**
Sizes 5" and 6" in bronze



Code	Size	P [bar]			€
080 010 000	G 3/8 F	16	15	120	-
080 015 000	G 1/2 F	16	20	160	-
080 020 000	G 3/4 F	16	10	120	-
080 025 000	G 1 F	16	10	60	-
080 032 000	G 1 1/4 F	16	10	40	-
080 040 000	G 1 1/2 F	16	6	36	-
080 050 000	G 2 F	16	4	24	-
080 065 000	G 2 1/2 F	16	-	12	-
080 080 000	G 3 F	16	-	10	-
080 100 000	G 4 F	10	-	4	-
080 125 000	G 5 F	10	-	2	-
080 150 000	G 6 F	10	-	1	-

130

Y check valve with metal obturator - viton seal

Max working temperature: **150 °C**



Code	Size	P [bar]			€
130 015 000	G 1/2 F	35	20	160	-
130 020 000	G 3/4 F	35	14	84	-
130 025 000	G 1 F	35	10	60	-
130 032 000	G 1 1/4 F	25	5	30	-

Y77

Compact check valve with running nut - flat gasket

Max working temperature: **110 °C**

Max working pressure: **16 bar**



Code	Size			€
Y77 A20 000	G 3/4 RN - G 3/4 M	20	80	-
Y77 A25 000	G 1 RN - G 1 M	20	80	-

P34

Compact check valve - MF

Max working temperature: **85 °C**

Max working pressure: **16 bar**



Code	Size			€
P34 015 000	G 1/2 M - G 1/2 F	50	400	-
P34 020 000	G 3/4 M - G 3/4 F	40	160	-
P34 025 000	G 1 M - G 1 F	15	120	-

P33

Compact check valve - FM

Max working temperature: **85 °C**

Max working pressure: **16 bar**



Code	Size			€
P33 015 000	G 1/2 F - G 1/2 M	50	400	-
P33 020 000	G 3/4 F - G 3/4 M	40	160	-
P33 025 000	G 1 F - G 1 M	15	120	-

179

Compact check valve - MF - with knurling - chrome plated

Max working temperature: **95 °C**

Max working pressure: **16 bar**



Code	Size			€
179 015 C00	G 1/2 M - G 1/2 F	-	300	-

178

Compact check valve - FM - with knurling - chrome plated

Max working temperature: **95 °C**

Max working pressure: **16 bar**



Code	Size			€
178 015 C00	G 1/2 F - G 1/2 M	-	300	-
178 020 C00	G 3/4 F - G 3/4 M	-	200	-



192

Check valve with pump connection and check valve override device

Max working temperature: **95 °C**

Max working pressure: **16 bar**



Code	Size			€
192 020 000	G 1 1/2 RN - G 3/4 M	-	80	-
192 025 000	G 1 1/2 RN - G 1 M	-	80	-

172



Double check valve with intermediate pressure test port connection and two compression ends - DZR brass

Max working temperature: **95 °C**

Max working pressure: **16 bar**

WRAS certification: **172015000**



Code	Size			€
172 015 000	15 mm	-	150	-
172 022 000	22 mm	-	100	-



173

Double check valve with intermediate pressure test port connection and one compression end - DZR brass - nickel plated

Max working temperature: **95 °C**

Max working pressure: **16 bar**



Code	Size			€
173 015 N00	G 1/2 M - 15 mm	25	200	-



035

Angled check valve. Convertible into straight valve by moving the plug.

Max working temperature: **60 °C**

Max working pressure: **16 bar**



Code	Size			€
035 025 000	G 1 F	10	40	-
035 032 000	G 1 1/4 F	5	20	-
035 040 000	G 1 1/2 F	2	24	-

055

"PARIS" check valve FM with double pressure test port connection and running nut - controllable

Max working temperature: **95 °C**
Max working pressure: **16 bar**



Code	Size			€
055 015 000	G 3/4 RN - G 3/4 M	-	100	-

195

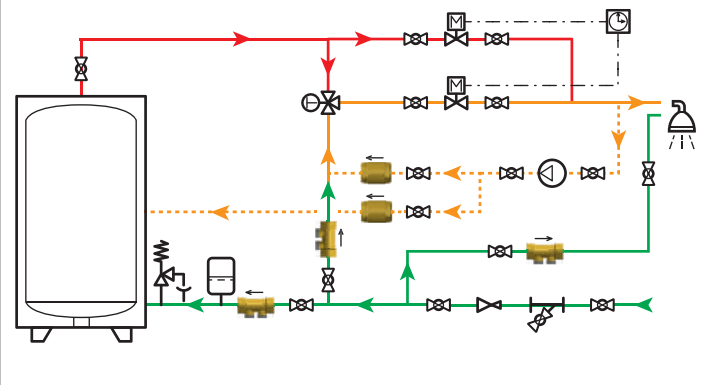
"STAR" check valve FF with double pressure test port connection - controllable

Max working temperature: **95 °C**
Max working pressure: **16 bar**



Code	Size			€
195 020 000	G 3/4 F	-	120	-
195 025 000	G 1 F	-	70	-

Difference of use and application point: 055 or 195 at the potable water system inlet, 005 on the recirculation circuit



191

Check valve with running nut and check valve override device

Max working temperature: **95 °C**
Max working pressure: **16 bar**



Code	Size			€
191 020 000	G 1 RN - G 3/4 M	10	40	-
191 025 000	G 1 RN - G 1 M	10	40	-

191.2

Check valve with running nut and check valve override device - check valve insert

Max working temperature: **95 °C**
Max working pressure: **16 bar**



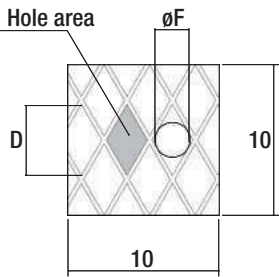
Code	Size			€
191 025 000 2	G 1 RN - G 1 M	10	40	-

FILTERS AND DIRT SEPARATORS

B8

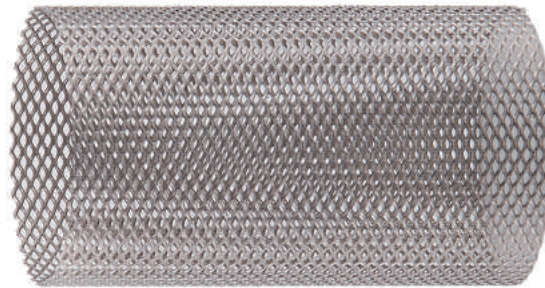


Type A: STANDARD CARTRIDGES

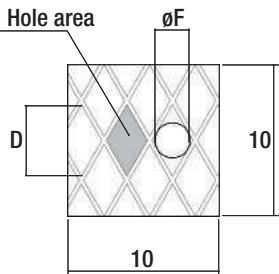


		ON REQUEST	ON REQUEST
nr. holes/cm ²	70	270	24
Hole area	0,25 mm ²	0,025 mm ²	1,0 mm ²
D	1,0 mm	0,5 mm	2,0 mm
øF	0,50 mm (500 µm)	0,3 mm (300 µm)	1,0 mm (1000 µm)
Size	G 1/4-G 2 1/2	G 1/2-G2	G 1/2-G 2

Regarding the values of Hole area, D and øF, consider a tolerance of about ±15%

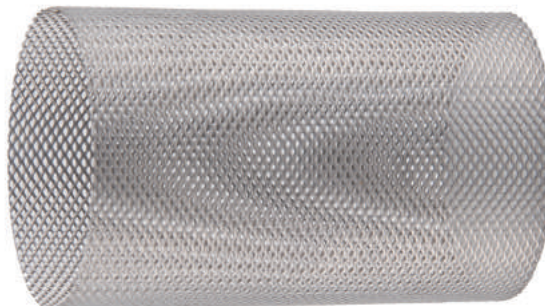


Type B: STANDARD CARTRIDGES



	65	70	50
nr. holes/cm ²	65	70	50
Hole area	0,18 mm ²	0,25 mm ²	0,64 mm ²
D	1,0 mm	1,0 mm	1,0 mm
øF	0,40 mm (400 µm)	0,50 mm (500 µm)	0,80 mm (800 µm)
Size	G 3/8-G 1	G 1 1/4-G 2	G 2 1/2-G 4

Regarding the values of Hole area, D and øF, consider a tolerance of about ±15%



UNDER-BOILER FILTER AND DIRT SEPARATOR



V72.P

DR-3

Under-boiler filter and magnetic dirt separator. Complete with upstream shut-off valve and fitting for boiler connection. Technopolymer body.

Working temperature range: 0-90 °C
 Max working pressure: 3 bar
 Mesh size: 0,8 mm

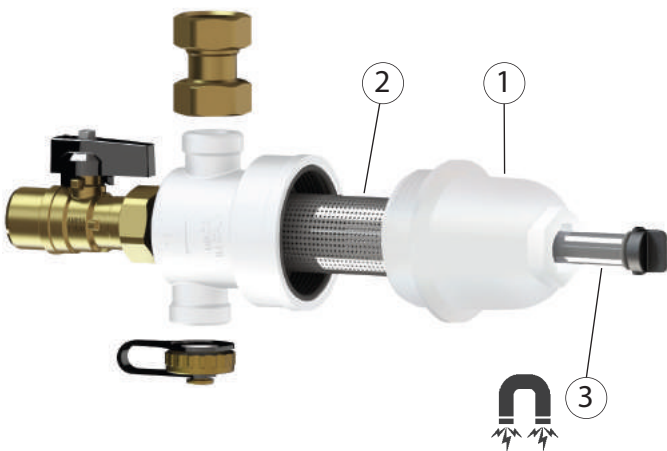


Code	Size	Kv			€
V72 P20 020	G 3/4 M - G 3/4 RN - G 3/4 M	5,3	1	6	-

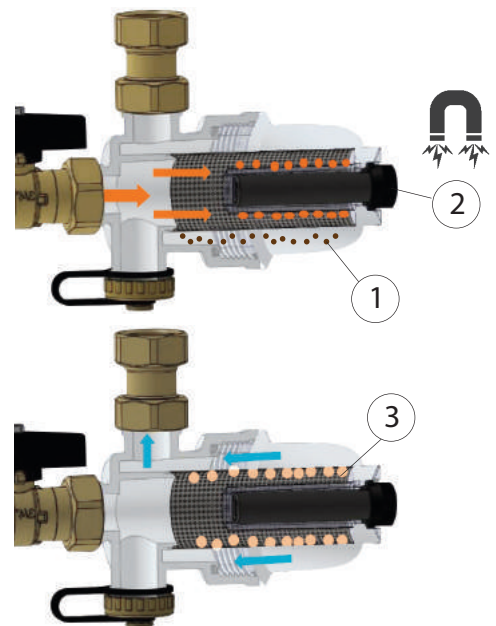
Components of the under-boiler filter and magnetic dirt separator DR-3

Working way

DR-3



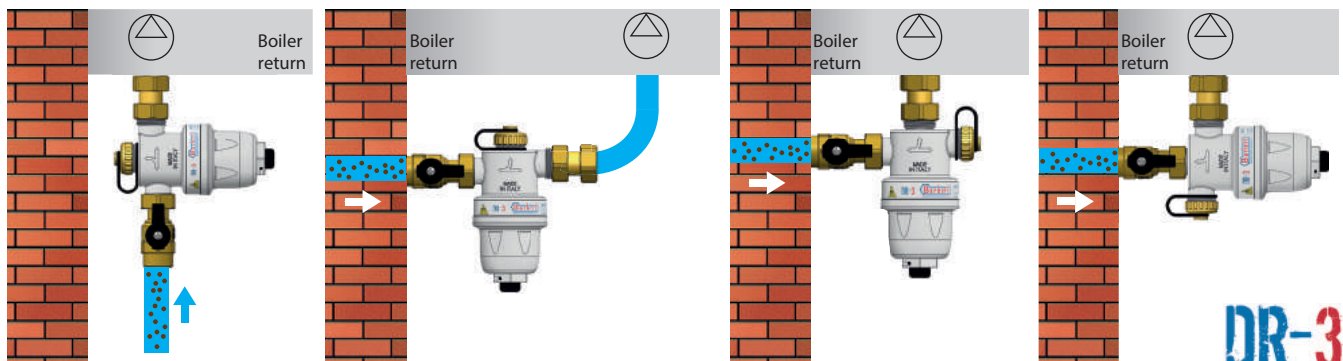
DR-3



Components of the under-boiler filter and magnetic dirt separator DR-3: (1) dirt separator, (2) filter, (3) magnet.

The fluid cleaning is performed through these actions:
 (1) decantation in the dirt separator
 (2) holding of the ferromagnetic particles by the magnet
 (3) mechanical filtration through the filter mesh.

Installation positions



DR-3

	NUMBER OF PIECES IN BOX
	NUMBER OF PIECES IN CARTON
	ARTICLE THE BEST SELLER
	NEW ARTICLE



V73.D

DR-4

Filter and magnetic dirt separator. Technopolymer body, brass tee-fitting. Complete with cyclonic action filter, interchangeable cartridge and adjustable tee for horizontal, vertical and 45° installation.

Working temperature range: 0-90 °C
 Max working pressure: 3 bar
 Mesh size: 0,5 mm + 0,8 mm

Code	Size	Kv			€
V73 D25 010	G 1 F	7	1	6	-



V73.P

DR-4

Filter and magnetic dirt separator with technopolymer body. Complete with cyclonic action filter, interchangeable cartridge, adjustable tee for horizontal, vertical and 45° installation, shut-off valves.

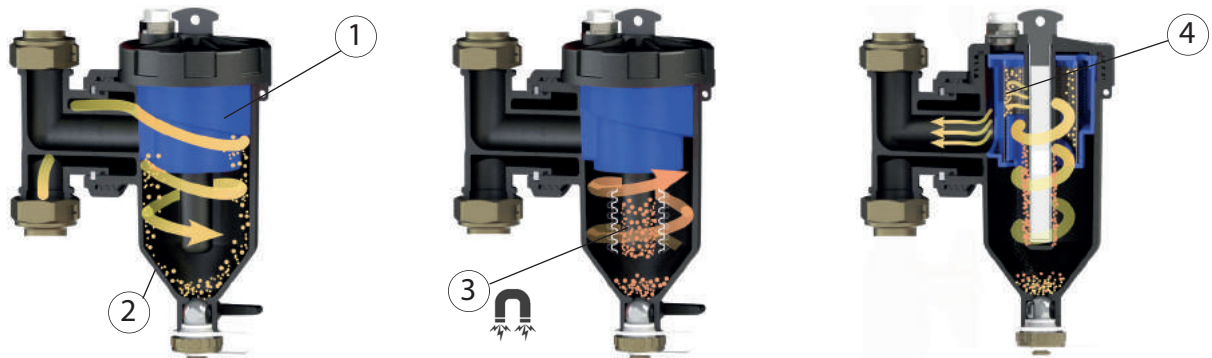
Working temperature range: 0-90 °C
 Max working pressure: 3 bar
 Mesh size: 0,5 mm + 0,8 mm

Code	Size	Kv			€
V73 P25 020	G 1 F	6,4	1	6	-



Working way

DR-4



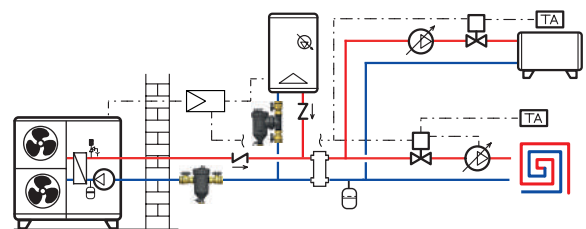
The fluid cleaning is performed through these actions:

- (1) action of the cyclonic filter
- (2) decantation in the dirt separator
- (3) holding of the ferromagnetic particles by the magnet
- (4) mechanical filtration through the filter mesh.

Installation positions



Installation in horizontal (with heat pump) and vertical (with boiler) position



V71.B

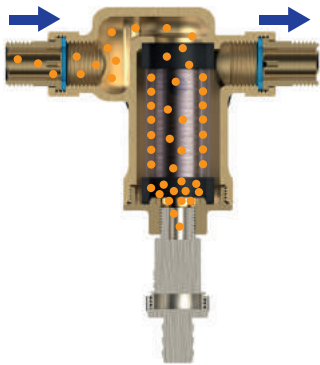
Self-cleaning filter for thermal and domestic hot water systems. Complete with G 1/4 F front and rear pressure test port. 4 in 1 threaded connections.

Max upstream pressure: **25 bar**
 Max working temperature: **110 °C**
 *4 in 1 connections: (G 3/4 M+G 1/2 F)+
 (G 3/4 RN+G 1/2 M)
 In compliance with D.M. 174

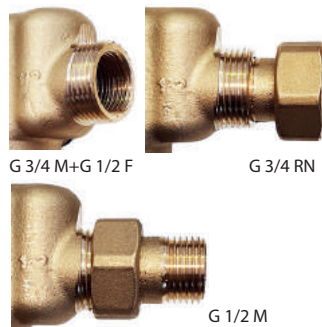


Code	Size	Mesh size [mm]			€
V71 B15 000 03	G 1/2 M*	0,3	1	6	-
V71 B15 000 01	G 1/2 M*	0,1	1	6	-

Working way

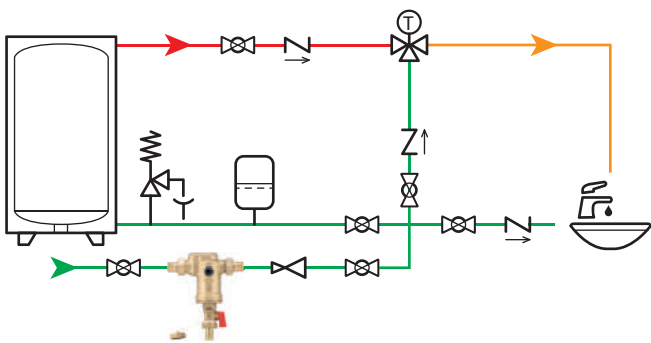


*4 in 1 connections: 4 ways to connect the filter to the pipe



The particles, accumulating on the mesh and at the bottom of the body, can be removed by opening the discharge valve.

Application at the entrance of the domestic water system



V70

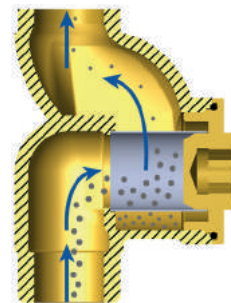
DZR brass compact T-filter - MM - stainless steel filtering cartridge

Max working temperature: **110 °C**
 Max working pressure: **25 bar**
 Mesh type: *see chapter beginning*



Code	Size	Mesh type	Mesh size [mm]	DN			€
V70 A20 000	G 3/4 M	A	0,5	20	20	40	-
V70 A20 000 01	G 3/4 M	A	0,1	20	20	40	-
V70 A20 000 03	G 3/4 M	A	0,3	20	20	40	-

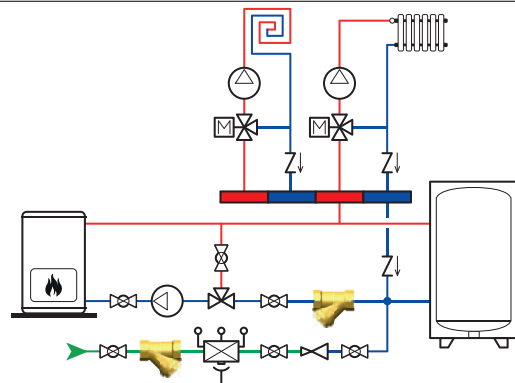
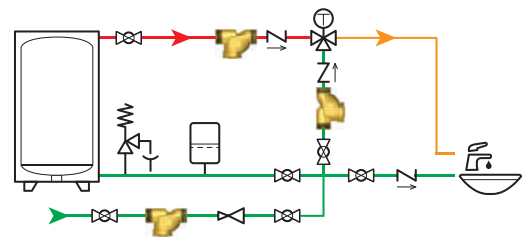
Operating principle of V70 filter in vertical



Advantages of V70 filter:

- T-shape compact body
- suitable also for vertical pipe, preferably with upward flow direction: the body T-shape makes the particles accumulate between the mesh and the body itself, limiting their backflow.

Use of V70 filter in DHW system - Use of filters in closed circuits



050

Brass Y-filter (3" and 4" versions in bronze) - FF - stainless steel filtering cartridge

Max working temperature: **95 °C**

Max working pressure: **16 bar**

Mesh type: **see chapter beginning**

For sizes 3" and 4" see code 049



Code	Size	Kv	Mesh type			€
050 008 000	G 1/4 F	1,6	A	20	80	-
050 010 000	G 3/8 F	3	A	25	200	-
050 015 000	G 1/2 F	4,5	A	20	160	-
050 020 000	G 3/4 F	7	A	14	84	-
050 025 000	G 1 F	7,8	A	10	60	-
050 032 000	G 1 1/4 F	15	A	5	30	-
050 040 000	G 1 1/2 F	21	A	4	24	-
050 050 000	G 2 F	34	A	2	12	-
050 065 000	G 2 1/2 F	64	A	-	8	-
049 080 000	G 3 F	81	B	-	5	-
049 100 000	G 4 F	102	B	-	2	-

049

Bronze Y-filter - FF - stainless steel filtering cartridge

Max working temperature: **95 °C**

Max working pressure: **16 bar**

Mesh type: **see chapter beginning**



Code	Size	Kv	Mesh type			€
049 010 000	G 3/8 F	1,4	B	10	80	-
049 015 000	G 1/2 F	3,3	B	10	80	-
049 020 000	G 3/4 F	5,6	B	15	60	-
049 025 000	G 1 F	7,9	B	10	40	-
049 032 000	G 1 1/4 F	12,9	B	5	30	-
049 040 000	G 1 1/2 F	15,8	B	4	24	-
049 050 000	G 2 F	19	B	2	12	-
049 065 000	G 2 1/2 F	55	B	-	8	-
049 080 000	G 3 F	81	B	-	5	-
049 100 000	G 4 F	102	B	-	2	-

050.2

Stainless steel spare filtering cartridges for code 050, P21, P22.

Mesh type: **see chapter beginning**



Code	Size	Mesh type			€
050 015 002	for filter G 1/4 F, G 3/8 F, G 1/2 F	A	-	-	-
050 020 002	for filter G 3/4 F	A	-	-	-
050 025 002	for filter G 1 F	A	-	-	-
050 032 002	for filter G 1 1/4 F	A	-	-	-
050 040 002	for filter G 1 1/2 F	A	-	-	-
050 050 002	for filter G 2 F	A	-	-	-
050 065 002	for filter G 2 1/2 F	A	-	-	-
050 080 002	for filter G 3 F	B	-	-	-
050 100 002	for filter G 4 F	B	-	-	-

049.1

Stainless steel spare filtering cartridges for code 049

Mesh type: **see chapter beginning**



Code	Size	Mesh type			€
049 015 001	for filter G 3/8 F, G 1/2 F	B	-	-	-
049 020 001	for filter G 3/4 F	B	-	-	-
049 025 001	for filter G 1 F	B	-	-	-
049 032 001	for filter G 1 1/4 F	B	-	-	-
049 040 001	for filter G 1 1/2 F	B	-	-	-
049 050 001	for filter G 2 F	B	-	-	-
049 065 001	for filter G 2 1/2 F	B	-	-	-
050 080 002	for filter G 3 F	B	-	-	-
050 100 002	for filter G 4 F	B	-	-	-

053A

DZR brass Y-filter - MM - stainless steel filtering cartridge

Max working temperature: **95 °C**

Max working pressure: **16 bar**

Mesh type: **see chapter beginning**



Code	Size	Mesh type			€
053 A20 000	G 3/4 M	A	20	80	-

P21

Brass compact Y-filter - MM - stainless steel filtering cartridge. With flat seat for installation in box.

Max working temperature: **95 °C**

Max working pressure: **16 bar**

Mesh type: *see chapter beginning*



Code	Size	Kv	Mesh type			€
P21 015 000	G 1/2 M	2,75	A	20	160	-
P21 020 000	G 3/4 M	4,75	A	14	84	-
P21 025 000	G 1 M	7,3	A	10	60	-
P21 032 000	G 1 1/4 M	16	A	5	20	-

P22

Brass compact Y-filter - MM - complete with threaded G 1/2 probe holder plug. With flat seat for installation in box.

Max working temperature: **95 °C**

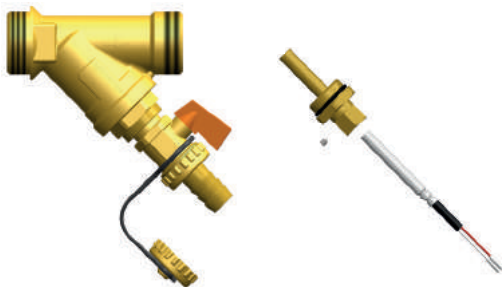
Max working pressure: **16 bar**

Mesh type: *see chapter beginning*



Code	Size	Kv	Mesh type			€
P22 015 000	G 1/2 M	2,75	A	20	160	-
P22 020 000	G 3/4 M	4,75	A	14	84	-
P22 025 000	G 1 M	7,3	A	10	60	-
P22 032 000	G 1 1/4 M	16	A	5	20	-

Coupling of P22 filter to P32 cock or P28.14 pocket



P28.14

Immersion probe pocket - seal on fitting

Max working temperature: **95 °C**

Max working pressure: **16 bar**

Probe diameter: **6 mm**



Code	Size			€
P28 015 000 14	G 1/2 M	10	50	-

54D

Water hammer arrestor

Max water hammer peak: **50 bar**

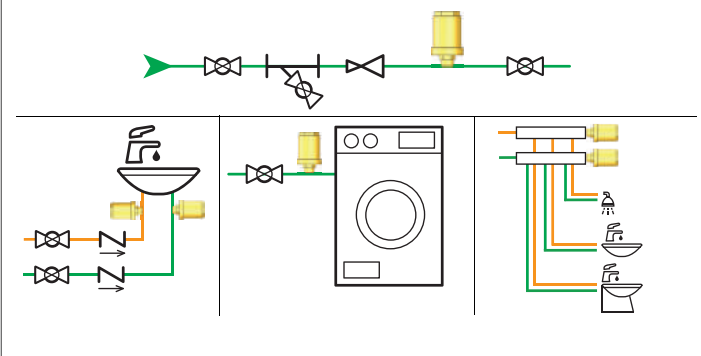
Max working temperature: **90 °C**

Max working pressure: **10 bar**



Code	Size			€
54D M15 000 <i>NEW</i>	G 1/2 M	1	22	-

54D: at the inlet of the domestic water system/under sink/at the washing machine inlet/on the manifolds



**BALL SHUT-OFF
VALVES
AND COCKS**

B9



215-219

Boiler drain ball shut-off valve - male connection - nickel plated

Max working temperature: **95 °C**
Max working pressure: **16 bar**



Code	Size			€
215 015 N00	G 1/2 M	-	100	-
219 020 N00	G 3/4 M	-	100	-

217-221

Boiler drain ball shut-off valve - female connection - nickel plated

Max working temperature: **95 °C**
Max working pressure: **16 bar**



Code	Size			€
217 015 N00	G 1/2 F	-	100	-
221 020 N00	G 3/4 F	-	100	-

P90

Ball shut-off valve with running nut and flat gasket - female connection

Max working temperature: **95 °C**
Max working pressure: **10 bar**



Code	Size			€
P90 025 N00	G 1 F - G 1 RN	2	24	-

P91.0

Pair of ball shut-off valves. Red and blue handle, with female and union connections.

Working temperature range: **-20-120 °C**
Max working pressure: **30 bar**



Code	Size	Knob colour			€
P91 020 N01 011	G 3/4 F - G 3/4 M	red/blu	10	20	-

39D

Ball shut-off valve with pump connection - male connection

Max working temperature: **95 °C**
Max working pressure: **10 bar**



Code	Size	Knob colour			€
39D 020 000 R	G 1 1/2 RN - G 1 1/2 M	black	-	25	-

50D.M50

Ball shut-off valve with pump connection with possibility of temperature gauge integration - male connection

Max working temperature: **95 °C**
Max working pressure: **10 bar**



Code	Size	Knob colour			€
50D M50 000 R	G 2 RN - G 2 M	red	-	25	-

38D.1T

Ball shut-off valve with pump connection with possibility of temperature gauge integration - DN 25 - female connection

Max working temperature: **95 °C**
Max working pressure: **10 bar**



Code	Size	Knob colour			€
38D 025 000 1T	G 1 1/2 RN - G 1 F	red	-	16	-

39D.DN20

Ball shut-off valve with pump connection - male connection

Max working temperature: **95 °C**
Max working pressure: **10 bar**



Code	Size	Knob colour			€
39D 020 000 1	G 1 RN - G 1 M	black	-	25	-



P40

Compact ball shut-off valve with pump connection and compression end

Max working temperature: **95 °C**

Max working pressure: **6 bar**



Code	Size			€
P40 022 000	G 1 1/2 RN - 22 mm	6	48	-
P40 028 000	G 1 1/2 RN - 28 mm	6	48	-


P41

Compact ball shut-off valve with pump connection and female connection

Max working temperature: **95 °C**

Max working pressure: **6 bar**



Code	Size			€
P41 025 000	G 1 1/2 RN - G 1 F	6	48	-

P41.I2

2 compact ball shut-off valves with pump connection and female connection

Max working temperature: **95 °C**

Max working pressure: **6 bar**



Code	Size			€
P41 025 000 I2	G 1 1/2 RN - G 1 F	6	48	-

W09

Drain cock with adjustable plastic hose connection (hose diameter lower than 11 mm)

Max working temperature: **80 °C**
Max working pressure: **4 bar**



Code	Size			€
W09 010 N00	G 3/8 M	30	600	-

P59

Drain cock with adjustable plastic hose connection - with knob (hose diameter lower than 9 mm)

Max working temperature: **95 °C**
Max working pressure: **10 bar**



Code	Size			€
P59 008 N00	G 1/4 M	30	600	-
P59 010 N00	G 3/8 M	30	600	-

W33

Drain cock with adjustable brass hose connection

Max working temperature: **95 °C**
Max working pressure: **10 bar**



Code	Size			€
W33 008 000 T	G 1/4 M - G 3/4 M	30	240	-

P82

Drain ball cock - with hose connection and plug

Max working temperature: **95 °C**
Max working pressure: **16 bar**

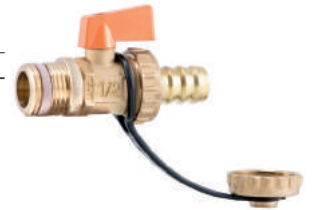


Code	Size			€
P82 015 N00	G 1/2 M - G 3/4 M	10	40	-

P32

Ball drain cock for solar thermal systems - with 15 mm hose connection and plug

Max working temperature: **150 °C**
Max working pressure: **16 bar**



Code	Size			€
P32 015 000	G 1/2 M	10	40	-

175.17

Brass hose connection

Max working temperature: **95 °C**



Code	Size			€
175 015 017 I	G 3/4 F	1	-	-

650

Plug with collar (code xxx xxx Nxx nickel-plated)

Max working temperature: **95 °C**



Code	Size			€
650 015 000	G 1/2 F	1	-	-
650 020 000	G 3/4 F	1	-	-
650 015 N00	G 1/2 F	1	-	-
650 020 N00	G 3/4 F	1	-	-

MONOBLOCS

B10



	Ball	Filter	Single check valve	Double check valve	Check valve override	Pump connection	Drain/connections for bypass or air vent	Temperature gauge	Probe connection	Flow rate reducing valve	Pressure reducing valve	90° connections	Filling loop	Threaded connection	Compression ends
660F	○	○	○			○	○					○		○	○
720F	○	○	○												
700F	○	○													
37D.DN25	○		○		○	○	○	○						○	
07D	○		○		○	○	○	○						○	
37D.1	○		○		○	○		○						○	
37D.1T	○		○		○	○		○						○	
37D.DN32	○		○			○		○						○	

	Ball	Filter	Single check valve	Double check valve	Check valve override	Pump connection	Drain/connections for bypass or air vent	Temperature gauge	Probe connection	Flow rate reducing valve	Pressure reducing valve	90° connections	Filling loop	Threaded connection	Compression ends
06D	○		○			○		○						○	
425	○			○			○								○
800	○			○			○						○		○
W10.1	○			○			○						○		○
38D.DN25	○					○	○	○						○	
38D.DN32	○					○		○						○	
38D.1	○					○		○						○	
38D.2	○					○		○	○					○	
38D.1T	○					○								○	

700F

Monobloc "SUN" (ball shut-off valve + filter) - butterfly handle (on request: lever handle and nickel plated)

Max working temperature: **95 °C**

Max working pressure: **16 bar**



Code	Size	Knob colour			€
700 015 0B0 FA0	G 1/2 F	red	-	50	-
700 020 0B0 FA0	G 3/4 F	red	-	25	-
700 025 0B0 FA0	G 1 F	red	-	20	-

720F

Monobloc "MAGNUM" (ball shut-off valve + filter + check valve) - butterfly handle (on request: lever handle and nickel plated)

Max working temperature: **95 °C**

Max working pressure: **16 bar**



Code	Size	Knob colour			€
720 015 0B0 FA0	DN 15 - G 1/2 F	red	1	50	-
720 020 0B0 FA0	DN 20 - G 3/4 F	red	1	25	-
720 025 0B0 FA0	DN 25 - G 1 F	red	1	20	-

660F

90° monobloc (ball shut-off valve + filter + check valve) with removable running nut - female connection - air vent connection - butterfly handle - DZR brass - nickel plated

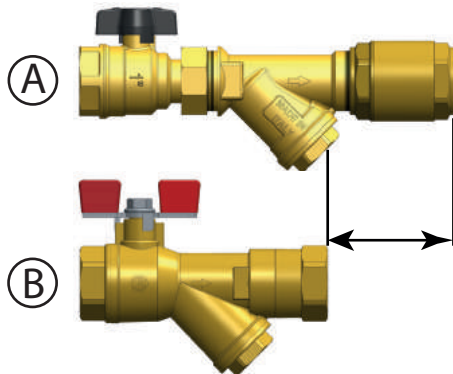
Max working temperature: **95 °C**

Max working pressure: **16 bar**



Code	Size	Knob colour		€
660 A10 NBS FLO	DN 10 - G 1/2 F - G 3/4 RN	red	50	-
660 A10 NBS FMO	DN 10 - G 1/2 F - G 3/4 RN	blue	50	-
660 A15 NBS FA0	DN 15 - G 1/2 F - G 3/4 RN	red	50	-
660 A15 NBS FBO	DN 15 - G 1/2 F - G 3/4 RN	blue	50	-
660 A20 NBS FA0	DN 20 - G 3/4 F - G 1 RN	red	25	-
660 A20 NBS FBO	DN 20 - G 3/4 F - G 1 RN	blue	25	-
660 A25 NBS FA0	DN 25 - G 1 F - G 1 1/4 RN	red	20	-
660 A25 NBS FBO	DN 25 - G 1 F - G 1 1/4 RN	blue	20	-

A) Installation with single devices - B) Monobloc with the same functions



Advantages of the monoblocs: reduced installation space, less hydraulic connections to be made, faster installation.



NUMBER OF PIECES IN BOX



NUMBER OF PIECES IN CARTON



ARTICLE THE BEST SELLER



NEW ARTICLE



38D.DN25

Monobloc with pump connection (ball shut-off valve + temperature gauge + 2 side connections) - temperature gauge 0-120 °C - DN 25

Max working temperature: **95 °C**
Max working pressure: **10 bar**



Code	Size	Knob colour			€
38D 025 000	G 1 1/2 RN - G 1 F	red	-	16	-

38D.DN32

Monobloc with pump connection (ball shut-off valve + temperature gauge) - temperature gauge 0-120 °C - DN 32

Max working temperature: **95 °C**
Max working pressure: **10 bar**



Code	Size	Knob colour			€
38D 032 000	G 2 RN - G 1 1/4 F	red	-	16	-

38D.1T

Ball shut-off valve with pump connection with possibility of temperature gauge integration - DN 25 - female connection

Max working temperature: **95 °C**
Max working pressure: **10 bar**



Code	Size	Knob colour			€
38D 025 000 1T	G 1 1/2 RN - G 1 F	red	-	16	-

38D.1

Monobloc with pump connection (ball shut-off valve + temperature gauge) - temperature gauge 0-120 °C - DN 25

Max working temperature: **95 °C**
Max working pressure: **10 bar**



Code	Size	Knob colour			€
38D 025 000 1	G 1 1/2 RN - G 1 F	red	-	16	-

38D.2

Monobloc with pump connection (ball shut-off valve + temperature gauge + probe connection) - temperature gauge 0-120 °C - DN 25

Max working temperature: **95 °C**
Max working pressure: **10 bar**



Code	Size	Knob colour			€
38D 025 000 2	G 1 1/2 RN - G 1 F	red	-	16	-

37D.DN25

Monobloc with pump connection (ball shut-off valve + temperature gauge + 2 side connections + check valve + check valve override) - temperature gauge 0–120 °C - DN 25

Max working temperature: **95 °C**

Max working pressure: **10 bar**



Code	Size	Knob colour			€
37D 025 000	G 1 F - G 1 1/2 RN	blue	-	16	-

37D.1

Monobloc with pump connection (ball shut-off valve + temperature gauge + check valve + check valve override) - temperature gauge 0–120 °C - DN 25

Max working temperature: **95 °C**

Max working pressure: **10 bar**



Code	Size	Knob colour			€
37D 025 000 1	G 1 F - G 1 1/2 RN	blue	-	16	-

37D.DN32

Monobloc with pump connection (ball shut-off valve + temperature gauge + check valve) - temperature gauge 0–120 °C - DN 32

Max working temperature: **95 °C**

Max working pressure: **10 bar**



Code	Size	Knob colour			€
37D 032 000	G 1 1/4 F - G 2 RN	blue	-	16	-

06D

Monobloc with pump connection (ball shut-off valve + temperature gauge + check valve + holes for brackets) - temperature gauge 0–160 °C (32–320 °F) - red knob

Max working temperature: **140 °C**

Max working pressure: **10 bar**



Code	Size	Knob colour			€
06D 020 000 R	G 3/4 F - G 1 RN	red	-	24	-

37D.1T

Monobloc with pump connection (ball shut-off valve + check valve + check valve override) - with possibility of temperature gauge integration - DN 25

Max working temperature: **95 °C**

Max working pressure: **10 bar**



Code	Size	Knob colour			€
37D 025 000 1T	G 1 F - G 1 1/2 RN	blue	-	16	-

07D

Monobloc with pump connection (ball shut-off valve + temperature gauge + check valve + holes for brackets + check valve override + side connection) - temperature gauge 0–160 °C (32–320 °F) - blue handle

Max working temperature: **140 °C**

Max working pressure: **10 bar**



Code	Size	Knob colour			€
07D 020 000	G 1 RN - G 3/4 F	blue	-	24	-



NUMBER OF PIECES IN BOX



NUMBER OF PIECES IN CARTON



ARTICLE THE BEST SELLER

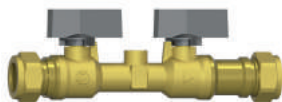


NEW ARTICLE



P99

Monobloc (double ball shut-off valve + check valve) with intermediate pressure test port connection - compression ends - DZR brass



Max working temperature: **95 °C**

Max working pressure: **10 bar**

Code	Size			€
P99 A15 000	DN 10 - 15 mm	12	72	-

425

"SIRIO" monobloc (ball shut-off valve + double check valve) with intermediate pressure test port connection - compression ends - DZR brass - nickel plated



Max working temperature: **85 °C**

WRAS certification



Code	Size	Knob colour	P [bar]	DN			€
425 A10 N00	DN 8 - 15 mm	black	8	8	-	150	-
425 A15 N00	DN 10 - 15 mm	black	10	10	-	100	-

800

Filling loop complete with ball shut-off valve + flexible pipe 400 mm + double check valve - nickel plated



Max working temperature: **95 °C**

Max working pressure: **10 bar**

Code	Size	DN			€
800 015 000	DN 10 - 15 mm	10	-	50	-

W10.1

Filling loop complete with ball shut-off valve with handle + flexible pipe 400 mm + monobloc "SIRIO" - nickel plated



Max working temperature: **85 °C**

Code	Size	Knob colour	P [bar]	DN			€
W10 010 N00 1	DN 8 - 15 mm	black	8	8	-	40	-
W10 015 N00 1	DN 10 - 15 mm	black	10	10	-	40	-

FITTINGS

B11



V58

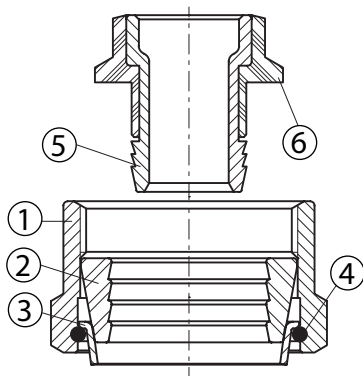
Compression fitting for PE-X and multilayer pipes. For heating and cooling circuits. Other sizes available on request.

Tightening torque: **15–20 N-m**
 Max working temperature: **90 °C**
 Max working pressure: **10 bar**



Code	Size	Pipe [mm]			€
V58 034 NEA	G 3/4 F	16x2	10	-	-
V58 034 NFA	G 3/4 F	17x2	10	-	-
V58 034 NHB	G 3/4 F	20x2,25	10	-	-

Fitting V58



Advantages and characteristics of V58 fittings for multilayer and PE-X pipes:

- Composed of two parts only: nut and reinforcing insert
- NBR gasket coupled to the reinforcing insert
- Pipe anti-torsion ring. The nut contains an elastic ring with a function similar to a ball bearing: when screwing the nut, the elastic ring avoids the pipe torsion thus making the installation easier and faster. The installation can be performed using one hand only.

- Components:

- 1) Nickel plated nut
- 2) Nylon bush
- 3) Steel pressing ring
- 4) Stainless steel anti-torsion elastic ring
- 5) Brass reinforcing insert
- 6) NBR gasket

P93

Fitting with running nut and flat gasket

Max working temperature: **100 °C**
 Max working pressure: **25 bar**



Code	Size			€
P93 015 000	G 1/2 M - G 3/4 RN	20	80	-
P93 020 000	G 3/4 M - G 1 RN	16	64	-
P93 025 000	G 1 M - G 1 1/4 RN	8	64	-
P93 032 000	G 1 1/4 M - G 1 1/2 RN	4	32	-

P93.N

Fitting with running nut and flat gasket - nickel plated

Max working temperature: **100 °C**
 Max working pressure: **25 bar**



Code	Size			€
P93 015 N00	G 1/2 M - G 3/4 RN	20	80	-
P93 020 N00	G 3/4 M - G 1 RN	16	64	-
P93 025 N00	G 1 M - G 1 1/4 RN	8	64	-
P93 032 N00	G 1 1/4 M - G 1 1/2 RN	4	32	-

Y77.2

Fitting with running nut and flat gasket - M and F connection of the same size

Max working temperature: **110 °C**
 Max working pressure: **16 bar**



Code	Size	Kv			€
Y77 A20 000 2	G 3/4 M - G 3/4 RN	10	20	80	-
Y77 A25 000 2	G 1 M - G 1 RN	14	20	80	-

16B.N

MM running fitting with integrated O-Ring - nickel plated

Max working temperature: **95 °C**
 Max working pressure: **10 bar**



Code	Size			€
16B 025 N00 1	G 3/4 M - G 1 M	25	100	-

44D.DN25

2 female fittings (tailpieces and nuts) with flat gasket - DN 25

Max working temperature: **90 °C**
Max working pressure: **10 bar**



Code	Size			€
44D 025 000	G 1 F - G 1 1/2 RN	2	50	-

V38.P

2 fittings FM with flat gaskets to adapt 130 mm centre distance pumps to 180 mm centre distance

Max working temperature: **100 °C**
Max working pressure: **10 bar**



Code	Size			€
V38 040 000 10	G 1 F - G 1 1/2 M	2	-	-
V38 040 000 11	G 1 1/2 F - G 1 1/2 M	2	-	-

V35

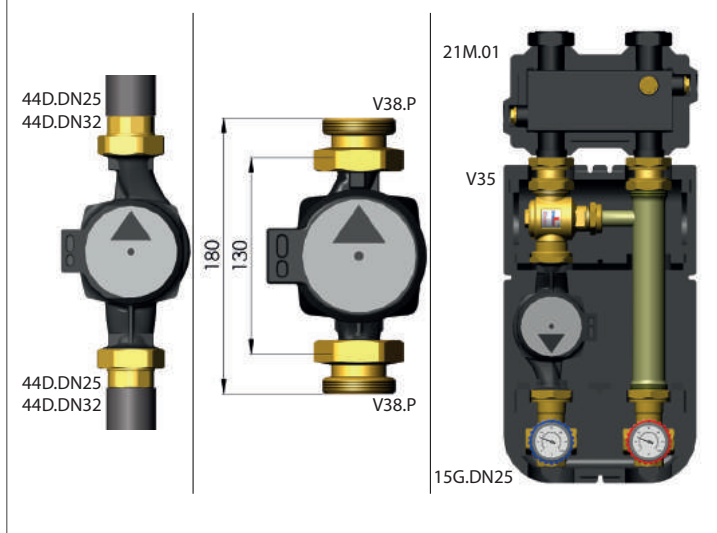
Fitting kit with G 1 1/2 RN x G 1 1/2 RN running nuts, plug and flat gasket.

Max working temperature: **90 °C**
Max working pressure: **10 bar**



Code	Size			€
V35 040 000 I	G 1 1/2 RN x G 1 1/2 RN	2	-	-

Use of fittings 44D.DN25 or 44D.DN32, V38.P, V35



44D.DN32

2 female fittings (tailpieces and nuts) with flat gasket - DN 32

Max working temperature: **90 °C**
Max working pressure: **10 bar**



Code	Size			€
44D 032 000	G 1 1/4 F - G 2 RN	2	-	-

V38.09

Fitting F with running nut and flat gaskets

Max working temperature: **100 °C**
Max working pressure: **10 bar**



Code	Size			€
V38 025 000 09	G 1 F - G 1 1/2 RN	-	-	-

036.7

Hexagonal removable running nut

Max working temperature: **140 °C**



Code	Size			€
036 020 007	G 3/4 RN	-	400	-
036 025 007	G 1 RN	-	400	-
036 032 007	G 1 1/4 RN	-	300	-
036 040 007	G 1 1/2 RN	-	250	-
036 050 007	G 2 RN	-	200	-

12D

Fitting G 3/4 M with compression end, with assembled nut, olive and O-Ring (codes "XXX XXX XXX M" without compression fitting)

Max working temperature: **140 °C**
Max working pressure: **16 bar**



Code	Size			€
12D 015 000	15 mm - G 3/4 M	2	-	-
12D 015 000 M	G 1/2 M - G 3/4 M	2	-	-
12D 018 000	18 mm - G 3/4 M	2	-	-
12D 020 000 M	G 3/4 M - G 3/4 M	2	-	-
12D 022 000	22 mm - G 3/4 M	2	-	-
12D 025 000 M	G 1 M - G 3/4 M	2	-	-

V38.07

Fitting FM with flat gasket

Max working temperature: **100 °C**

Max working pressure: **16 bar**



Code	Size			€
V38 025 000 07	G 1 F - G 1 1/2 M	-	-	-

055.P

Nylon plug with O-Ring

Max working temperature: **95 °C**



Code	Size			€
055 008 002 P01	G 1/4 M	-	-	-

175.17

Brass hose connection

Max working temperature: **95 °C**



Code	Size			€
175 015 017 I	G 3/4 F	1	-	-

650

Plug with collar (code xxx xxx Nxx nickel-plated)

Max working temperature: **95 °C**

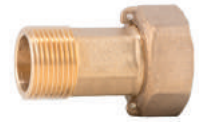


Code	Size			€
650 015 000	G 1/2 F	1	-	-
650 020 000	G 3/4 F	1	-	-
650 015 N00	G 1/2 F	1	-	-
650 020 N00	G 3/4 F	1	-	-

541

Fitting with running nut and flat gasket - side holes for metering device sealing

Max working temperature: **90 °C**



Code	Size	P [bar]			€
541 015 000	G 1/2 M - G 3/4 RN	16	14	56	-
541 020 000	G 3/4 M - G 1 RN	16	14	56	-
541 025 000	G 1 M - G 1 1/4 RN	10	8	64	-
541 032 000	G 1 1/4 M - G 1 1/2 RN	10	6	24	-
541 040 000	G 1 1/2 M - G 2 RN	8	4	16	-
541 050 000	G 2 M - G 2 1/2 RN	8	2	16	-

036.TI

Plug G 1 1/2 F with gasket.

Max working temperature: **90 °C**

Max working pressure: **10 bar**



Code	Size			€
036 040 007 TI	G 1 1/2 F	2	-	-

V36.I2

2 adapter fittings between DN 25 groups and DN 32 manifolds - flat gasket

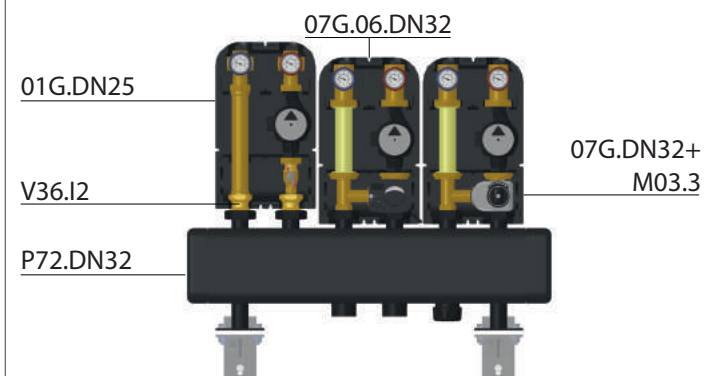
Max working temperature: **110 °C**

Max working pressure: **10 bar**



Code	Size			€
V36 050 000 I2	G 2 M - G 1 1/2 F	2	-	-

Connection of a DN 25 group to the P72.DN32 manifold by means of the V36.I2 fittings



40D.DN20

Extension with flat seat, connection distance 210 mm

Max working temperature: **140 °C**
Max working pressure: **10 bar**



Code	Size			€
40D 025 000	G 1 M - 210 mm	-	16	-

40D.1.DN20

Extension with flat seat, connection distance 130 mm

Max working temperature: **140 °C**
Max working pressure: **10 bar**



Code	Size			€
40D 025 001	G 1 M - 130 mm	-	16	-

40D

Extension with flat seat, connection distance 272 mm

Max working temperature: **140 °C**
Max working pressure: **10 bar**



Code	Size			€
40D 040 000	G 1 1/2 M - 272 mm	-	16	-

40D.DN32

Extension with flat seat, connection distance 280 mm

Max working temperature: **140 °C**
Max working pressure: **10 bar**



Code	Size			€
40D 050 000	G 2 M - 280 mm	-	-	-

40D.2

Extension with flat seat, connection distance 180 mm

Max working temperature: **140 °C**
Max working pressure: **10 bar**



Code	Size			€
40D 040 000 2	G 1 1/2 M - 180 mm	-	16	-

40D.2.DN32

Extension with flat seat, connection distance 180 mm

Max working temperature: **140 °C**
Max working pressure: **10 bar**



Code	Size			€
40D 050 002	G 2 M - 180 mm	-	-	-

40D.L

L-extension with flat seat, connection distance 272 mm

Max working temperature: **140 °C**
Max working pressure: **10 bar**



Code	Size			€
40D 040 000 L	G 1 1/2 M - G 1 RN - 272 mm	-	16	-

40D.C

Extension with flat seat for 110 and 130 mm energy metering devices, connection distance 180 mm

Max working temperature: **140 °C**
Max working pressure: **10 bar**



Code	Size			€
40D 020 000	G 1 1/2 M - 180 mm	-	-	-

V38.05

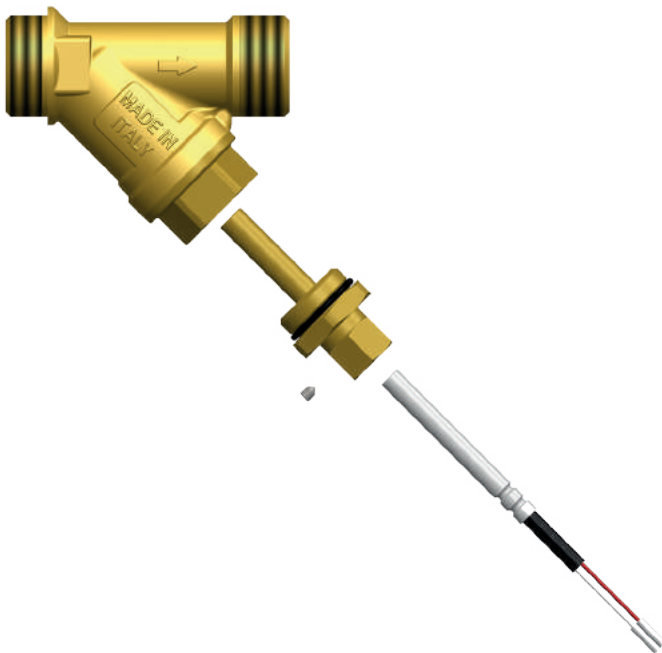
Kit with Y fitting and immersion probe pocket

Max working temperature: **95 °C**
 Max working pressure: **16 bar**
 Probe diameter: **6 mm**



Code	Size			€
V38 020 000 05	G 3/4 M	2	-	-
V38 025 000 05	G 1 M	2	-	-

Fitting V38.05 with pocket specific for immersion probe



575

Fiber gasket

Max working temperature: **150 °C**



Code	Size			€
575 020 000	24,2 - 18 - 2	-	-	-
575 025 000	30 - 21 - 3	-	-	-
575 032 000	39 - 25 - 2	-	-	-
575 040 000	45 - 33,3 - 2	-	-	-
575 050 000	56,5 - 41 - 2	-	-	-

P23

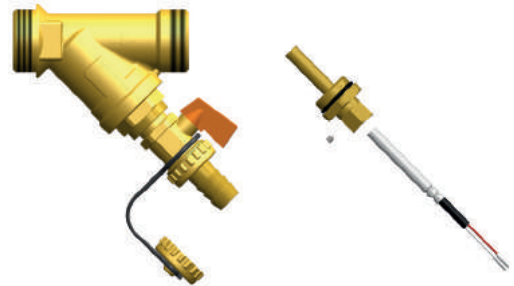
Brass Y fitting - MM - complete with threaded G 1/2 probe holder plug. With flat seat for installation in box.

Max working temperature: **95 °C**
 Max working pressure: **16 bar**



Code	Size			€
P23 015 000	G 1/2 M	20	160	-
P23 020 000	G 3/4 M	14	84	-
P23 025 000	G 1 M	10	60	-
P23 032 000	G 1 1/4 M	5	20	-

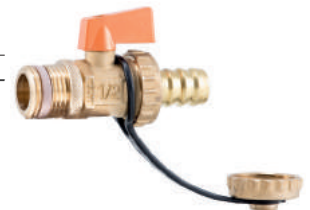
Coupling of P23 fitting to P32 cock or P28.14 pocket



P32

Ball drain cock for solar thermal systems - with 15 mm hose connection and plug

Max working temperature: **150 °C**
 Max working pressure: **16 bar**



Code	Size			€
P32 015 000	G 1/2 M	10	40	-

P28.14

Immersion probe pocket - seal on fitting

Max working temperature: **95 °C**
 Max working pressure: **16 bar**
 Probe diameter: **6 mm**



Code	Size			€
P28 015 000 I4	G 1/2 M	10	50	-

NOTES





NOTES



NOTES





NOTES



NOTES





NOTES

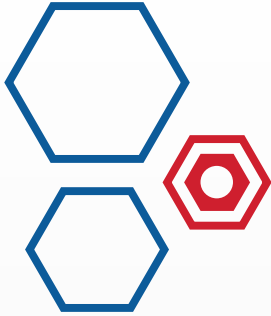


01A.25	56	16M	94	40D.2	76, 167
01A.40	98	17AK.DN32	87	40D.2.DN32	86, 167
01G.DN20	52	17B.N-17B.1.N	93	40D.C	76, 167
01G.DN25	59	18B.N-18B.1.N	93	40D.DN20	55, 167
01G.DN32	80	18D	112	40D.DN32	86, 167
01S	107	18D.1	112	40D.L	76, 167
02C.10	68	19G.DN32	81	41D	33, 55, 70, 83
02C.HE	68	020	135	42D.DN20	53
02D-31D	113	20AK.DN25	78	42D.DN25	78
02G.DN20	52	20G.DN25	66	42D.DN32	86
02G.DN25	60	020K	135	43D.02	47
03C	26	020KV	113, 135	43D.DN20	56
03D	111	20M.01	72	43D.DN25	78
03G.DN25-05G.DN25	63	21M.01	72	43D.DN32	87
04AK.65	114	22AK	114	44D.DN25	76, 165
04AK.70	114	22M.01	72	44D.DN32	85, 165
04D	111	23G.DN25	59	045	140
005	134	024	139	45AK	114
05A.DN25	79	24AK.DN32	87	049	150
05A.DN32	87	24G.DN25	61	049.1	150
05B	96, 131	025	139	050	150
05BI	97	25AK.DN20	47, 56	050.2	150
005K	134	25G.DN25	62	50D.M50	85, 154
005KV	113, 134	27B.N	88	51D	33, 70, 83
05S	110	028	140	51D.DN20	33, 55
006	136	28AK.DN25	78	52D	70
06D	112, 161	28B.N	92	52D025.01	74
006KV	136	28S-27S	108	52D025.02	74
06M	94	029	138	52D025.03	74
007	136	29A.25	47, 56	52D032.01	85
07B.N	93	29A.40	98	52D032.02	85
07D	112, 161	29B.N	91	52D.DN20	55
07G.04.DN20	52	030	140	053A	150
07G.06.DN32	80	30A	78	53D.S.DN20	55
07G.DN20	53	30B.N	90	53D.S.DN25	78
07G.DN25-09G.DN25	62	30D	112	54D	151
07G.DN32	80	31AK	98	055	144
007KV	136	31G.DN25	59	55D	99
07M	94	32G.DN25	60	055.P	166
07S	106	33D	111	060	141
008	137	33G.DN25-35G.DN25	63	61G.DN20	50
008KV	137	34D	111	62G.DN20	51
08M	94	035	143	63G.DN20	50
09S-12S	109	036.7	165	64G.4.DN20	50
010	138	036.TI	76, 166	67G.4.DN20	51
11D.120	78, 86	37D.1	75, 161	69C	99
11D.160	113	37D.1T	75, 161	70G.00	46
12D	111, 165	37D.DN20.1	56	70G.DN20	44
014	138	37D.DN25	75, 161	71G.DN20	46
14D	114	37D.DN32	85, 161	72G.DN20	46
14D.2	47, 56, 78, 87, 98, 114	37G.DN25-39G.DN25	62	73G.DN20	46
14D.3	114	38D.1	74, 160	080	141
14D.4	111	38D.1T	74, 154, 160	99B	88, 90, 91
14D.5	47, 56, 79, 98	38D.2	74, 160	99B.03	92
14D.6	111	38D.DN20.1	56	99B.07	88
14D.10	37, 54, 64, 82	38D.DN25	74, 160	99B.08	47
14D.16	114	38D.DN32	85, 160	125	141
14D.17	114	38G.14.DN25	68	130	142
14D.18	47	39D	75, 154	135	137
015	138	39D.DN20	56, 154	153	140
15D	112	040	140	172	143
15G.DN25	66	40D	76, 167	173	143
16B.N	97, 164	40D.1.DN20	55, 167	175.17	156, 166



INDEX

178	142	P28.I4	40, 77, 86, 151, 168	V35	76, 165
179	142	P29	97	V36.I2	85, 166
191	144	P30	97	V38.02	22
191.2	144	P32	113, 156, 168	V38.03	19, 22
192	143	P33	142	V38.04	19, 22
195	144	P34	142	V38.05	40, 77, 86, 168
215-219	154	P39	99	V38.07	166
217-221	154	P40	155	V38.09	165
425	162	P41	155	V38.14	95
440.I	33, 75, 86	P41.I2	155	V38.P	76, 165
441.I	31	P51	38	V39	139
450	31	P52	38	V50	31
451	31	P56	130	V52	32
460	30	P57	130	V53	32
460.1	35	P57L	130	V55	34
461	30	P58	131	V58	95, 164
541	166	P59	156	V60	30
575	168	P60	131	V70	149
615	71	P71	113, 131	V71.B	149
616	71	P72.DN20	53	V72.P	147
617.1.N	97	P72.DN25	72	V73.D	148
630.1.2.N	20, 96	P72.DN32	84	V73.P	148
630.3	70	P73.DN25	72	V82.W.2PM	121
630.4	55	P73.DN32	84	V82.W.ARP	125
630.10.T	20	P74	72	V83.W.2PM	122
630.101.N	20, 96	P74.DN20	53	V83.W.ARP	126
630.103	70	P82	156	W09	156
630.104	55	P83	96, 131	W10.1	162
630.T	20	P87	39	W33	156
650	156, 166	P88	38	Y47	130
660F	159	P90	154	Y47L	130
700F	159	P90.1	96	Y47.N	97, 130
720F	159	P91.0	96, 154	Y70	130
800	162	P93	126, 122, 19, 26, 31, 164	Y77	142
M01.K	39	P93.N	128, 164	Y77.2	26, 164
M02	128	P94.L1	128		
M03.2	36	P99	162		
M03.3	36, 54, 64, 82	V07.AA	16		
M03.4	35	V07.AA.L2	16		
M03.21	34	V07.AB	16		
M03.K	36, 54, 64, 82	V07.AB.L2	16		
M04	37, 54, 65, 83	V07.BA	17		
M04.K	37, 54, 64, 82	V07.BA.L2	17		
M07.3QK	39	V07.BB	17		
M07.K	39	V07.BB.L2	17		
M10.02P.2VM	121	V07.CB	17		
M10.02P.3VM	122	V07.DC	17		
M10.03P.3MM	47	V13	24		
M10.ARP.2VM	125	V13.5R	24		
M10.ARP.3VM	126	V13.L1	24		
M20.C	95	V14	25		
P04	21, 115	V14.1	25, 71		
P04.L2	21, 115	V14.5R	25		
P05	21, 115	V14.L1	25		
P05.L2	21, 115	V16	22		
P10	18	V16.L2	22		
P10.L2	18	V17	18		
P11	18	V17.L2	18		
P11.L2	18	V20	23, 116		
P21	151	V20.1	23, 116		
P22	151	V20.L1	23, 116		
P23	168	V20.L2	23, 116		
P27T2	37, 54, 64, 82	V34.DN25	72		



f  in  | barberi.it



CA2324r0-EN

© Copyright 2023 Barberi



✉ barberi@barberi.it

☎ +39 0163 48284

📍 Via Monte Fenera 7, 13018 Valduggia (VC) - Italy

